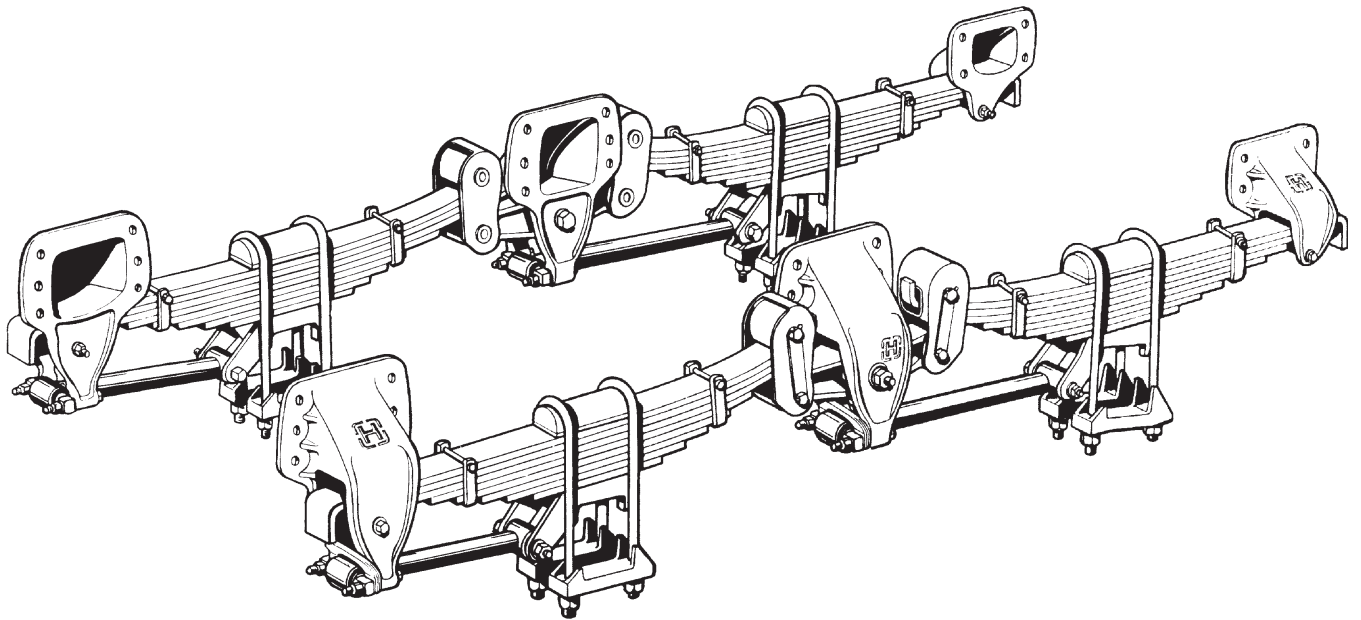


PARTS LIST

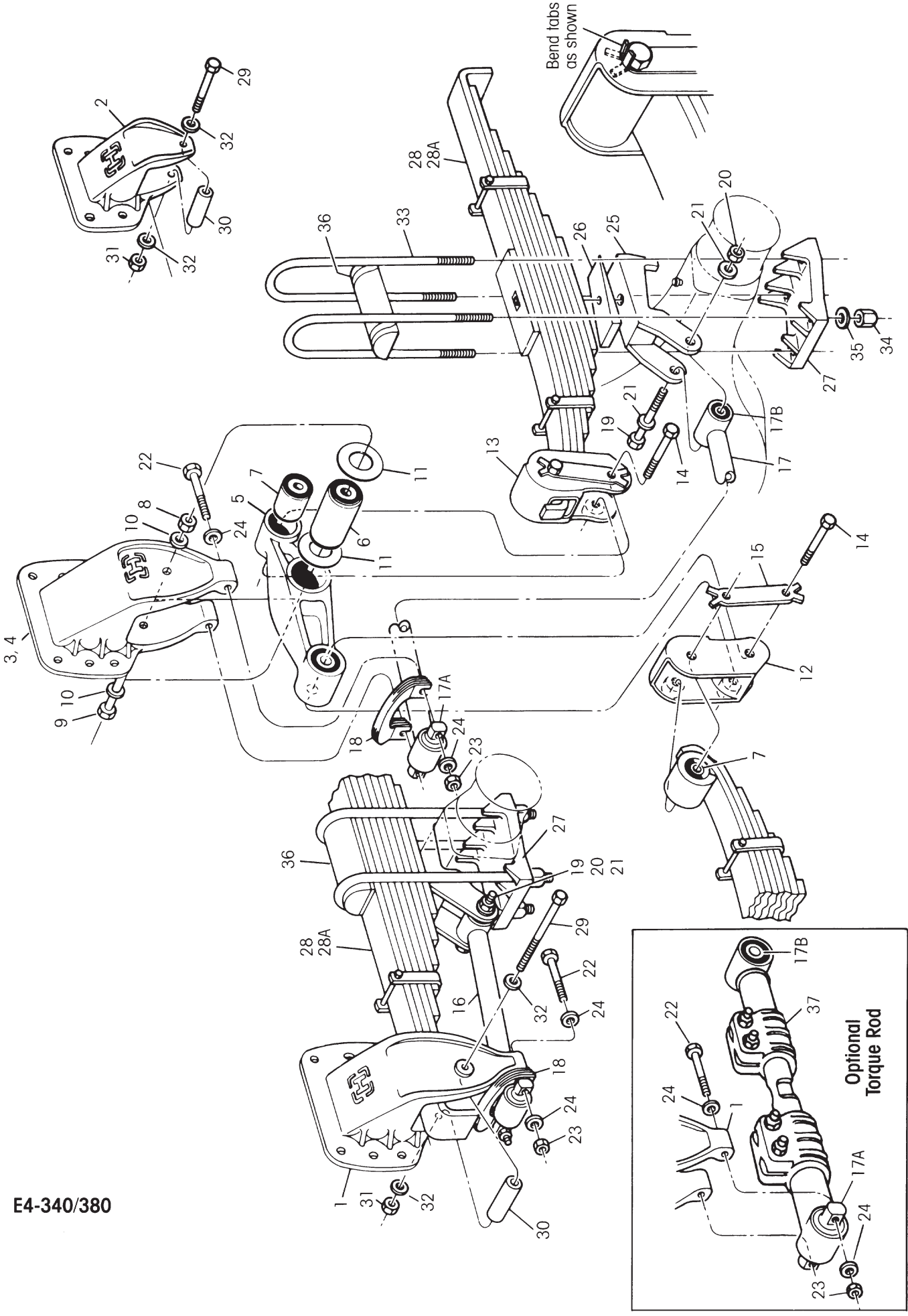
E4-340/380

Suspension In Production 8/84-1/89



For The Road Ahead

 **HENDRICKSON**



E4-340/380



KEY NO.	PART NO.	DESCRIPTION	NO. REQ.	KEY NO.	PART NO.	DESCRIPTION	NO. REQ.
1	47432-2*	Front Spring Hanger (Casting No. 47431)	2	22	30587-017	Torque Rod Mounting Bolt (Hanger)	8
2	47436-3*	Rear Spring Hanger (Casting No. 48991 Replaces 47435)	2	23	30585-000	Torque Rod Mounting Nut (Hanger)	8
3	47445-1*	Center Hanger & Equalizing Beam Assembly (Includes Key Nos. 4, 5, 8, 9,10, 11)	2	24	22962-004	Torque Rod Mounting Washer (Hanger)	16
4	47434-2*	Center Spring Hanger (Casting No. 47433)	2	25		Spring Seat 47973-000, (Casting No. 47961, Replaces 47716) 47974-000, (Casting No. 47962, Replaces 47718)	4
5	47444-001	Equalizing Beam Assembly (Includes Key Nos. 6, 7) (Casting No. 47437)	2	26		Wedge	As Req.
6	47420-000	Center Bushing	2		47731-000	No Tab	
7	47421-000	End Bushing & Spring Eye Bushing	8		48053-000	2 Tab	
8	08017-000	Nut—Center Bushing	2		48054-000	3 Tab	
9	30550-035	Bolt—Center Bushing (Replaces 30550-33)	2		48055-000	4 Tab	
10	22962-006	Washer	4	27		Bottom Cap	4
11	47416-000	Thrust Washer	4		48255-000	(Replaces 47451 & 47963)	
12	47440-000	Shackle L.H.F./R.H.R. (Casting No. 47439)	2		48096	(Replaces 47452 & 47964)	
13	47442-000	Shackle R.H.F./L.H.R. (Casting No. 47441)	2		47453-000	(Replaces 47455 & 47965)	
14	48728-000	Shackle Bolt	8		48252	(Replaces 47454 & 47966)	
15	47459-000	Shackle Bolt Retainer	4	28	47474-000	Spring 34,000 lb. Capacity	4
16	48158-001	Shim Type Adjustable Torque Rod Front, (Replaces 47401-1)	2	28A	47475-000	Spring 38,000 lb. Capacity	4
17	48158-002	Shim Type Adjustable Torque Rod Rear (Replaces 47401-2)	2	29	24531-014	Rebound Bolt	4
17A	47691-000	Torque Rod Bushing Bar Pin Type	4	30	47458-000	Rebound Bolt Spacer	4
17B	47692-000	Torque Rod Bushing Thru-Bolt Type	4	31	46578-000	Rebound Bolt Nut	4
18	49689-000	Shim-Alignment (Replaces 47457-000)	As Req.	32	22962-014	Rebound Bolt Washer	8
19	30418-009	Torque Rod Mounting Bolt (Axle)	4	33	47417-001	U Bolt 7/8" 16 1/4"	8
20	29248-000	Torque Rod Mounting Nut (Axle)	4		47417-003	U Bolt 7/8" 17 1/2"	
21	22962-002	Torque Rod Mounting Washer (Axle)	8	34	50765	Nut (Replaces 23899)	16
				35	22962-002	Washer	16
				36	48797	Top Pad (Replaces 47446)	4
				37	47781-001	Threaded Turnbuckle Type Adjustable Torque Rod Front—Optional	
				38	47778-002	Threaded Turnbuckle Type Adjustable Torque Rod Rear—Optional	

*Spring hangers accommodate frame widths of 33.94" to 34.19".

 **HENDRICKSON**
Truck Suspension Systems

A Boler Company