

# **H** TECHNICAL PROCEDURE

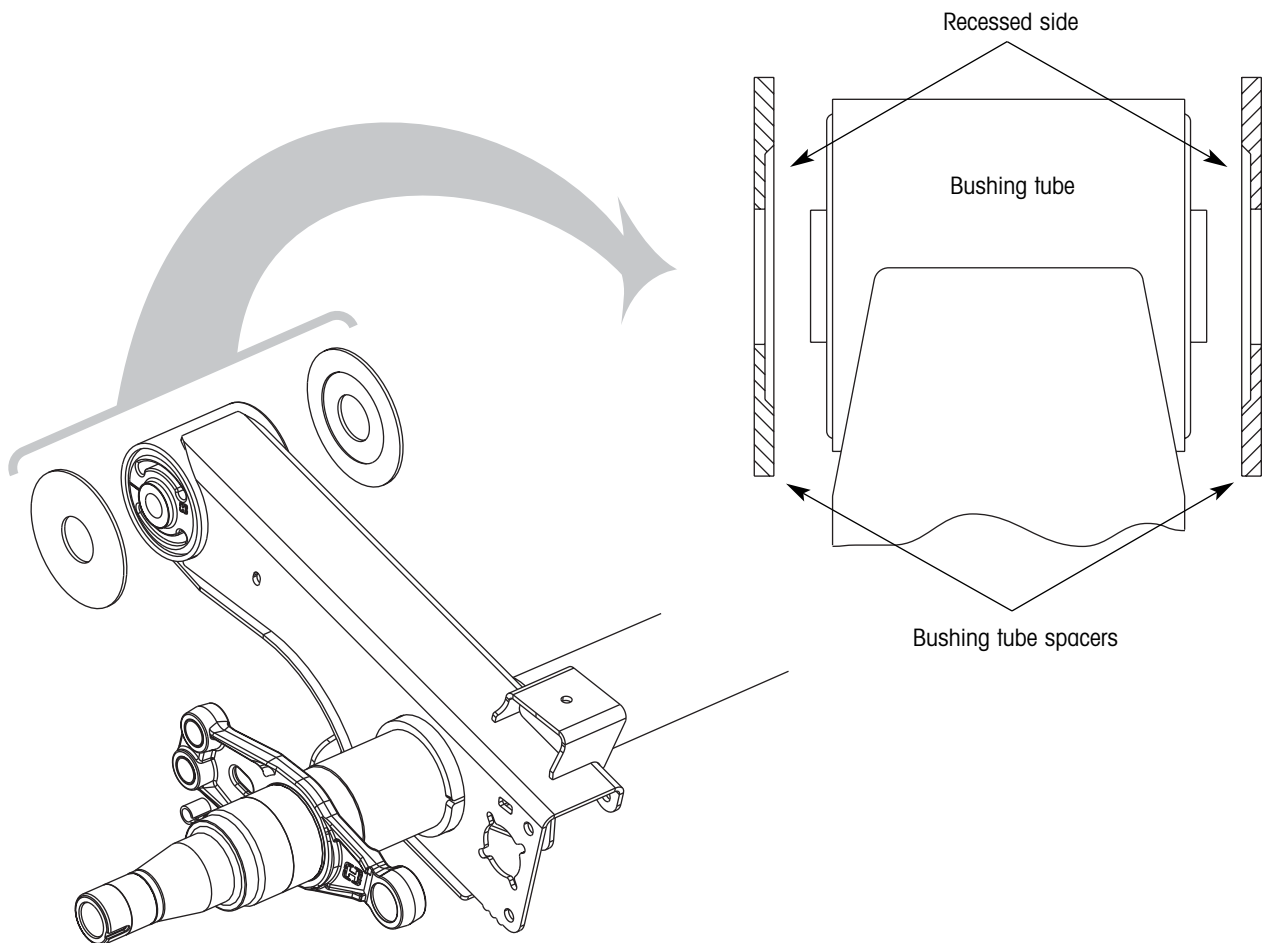
## TRI-FUNCTIONAL® BUSHINGS

**SUBJECT:** Replacement Bushing Tube Spacer  
Orientation

**LIT NO:** L893

**DATE:** May 2005

When installing the replacement bushing tube spacers in this kit, make sure the recessed side of each spacer faces the bushing tube as shown in figure 1.



*Figure 1. Properly orienting the replacement bushing tube spacer for installation*

[www.hendrickson-intl.com](http://www.hendrickson-intl.com)

# **H** HENDRICKSON

Trailer Suspension Systems  
250 Chrysler Drive, Unit #3  
Brampton, ON Canada L6S 6B6  
905.789.1030  
Fax 905.789.1033

Trailer Suspension Systems  
2070 Industrial Place SE  
Canton, OH 44707-2641 USA

866.RIDEAIR (743.3247)  
330.489.0045  
Fax 800.696.4416

Trailer Suspension Systems  
Ave. Rogelio González Caballero #850-B  
Parque Industrial Sliva  
Apodaca, NL, C.P. 66600 México  
(52) 81 8156 1300  
Fax (52) 81 8156 1301