

PARTS LIST

COMFORT AIR® Single Rear Air Suspension for Blue Bird Buses

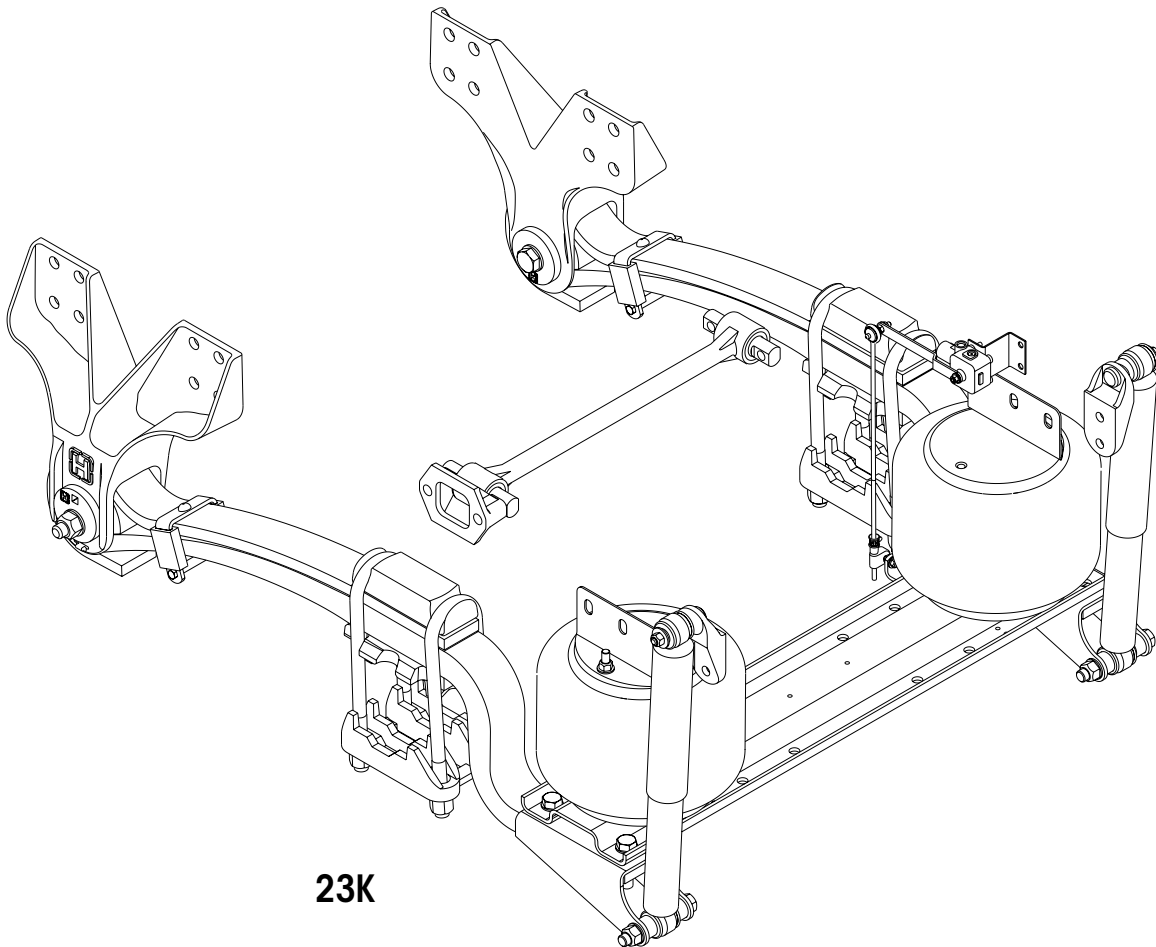
LIT NO: SP-173

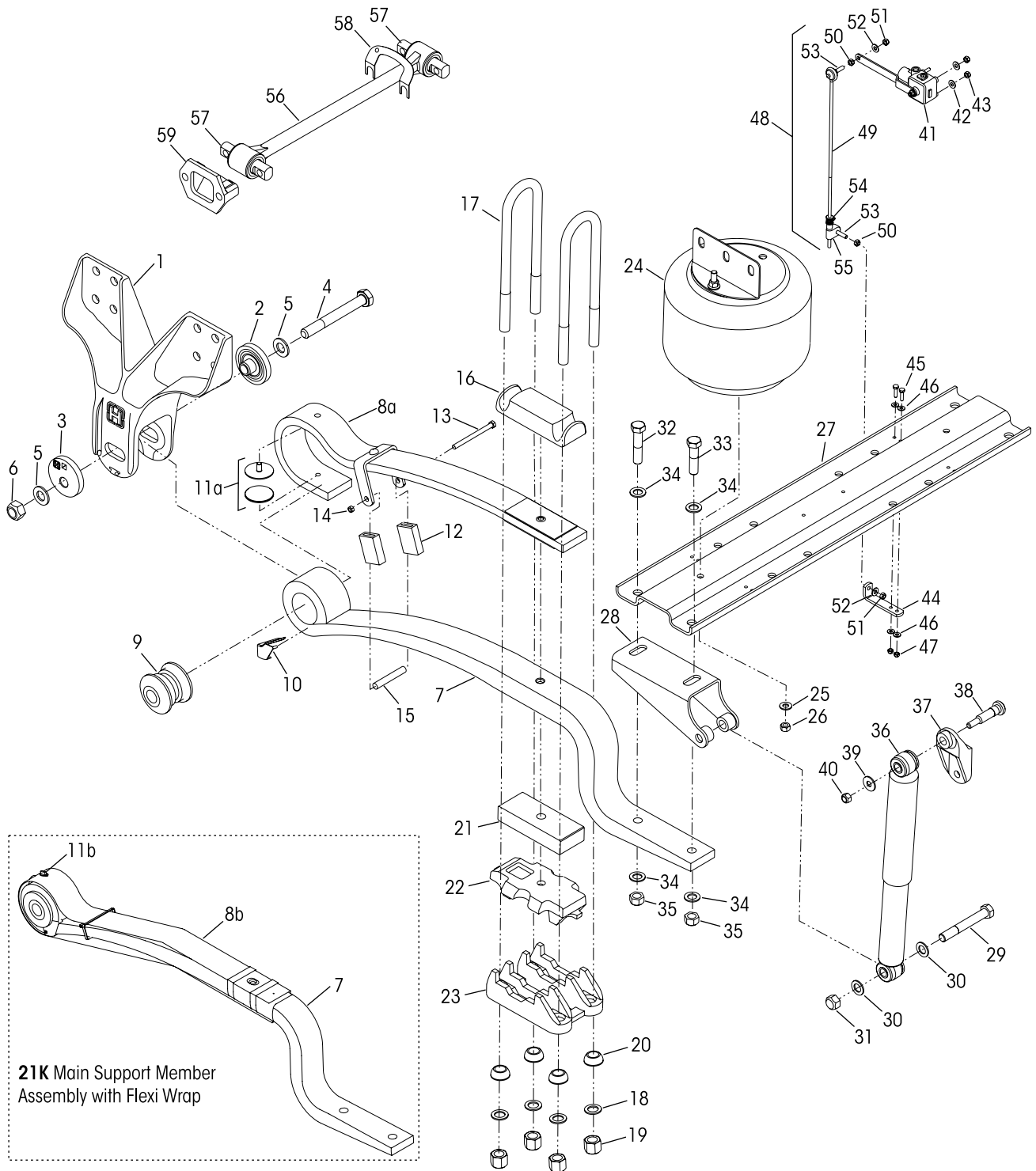
DATE: July 2019

REVISION: G

CONTENTS

DESCRIPTION	PAGE
Parts Lists	2
Special Tools	4





21K Main Support Member Assembly with Flexi Wrap



KEY NO.	PART NO.	DESCRIPTION	VEHICLE QTY.	KEY NO.	PART NO.	DESCRIPTION	VEHICLE QTY.
1	60784-000	Frame Hanger	2	23	50216-000	Axle Bottom Cap Meritor RS21-145 - 0-9½° Pinion Angle LH/RH, Meritor RC23-160 - Negative 0-9½° Angle LH/RH	2
	60632-038	QUIK-ALIGN® Pivot Bushing & Collar Service Kits					
	60632-044	Axle Set , Includes Key Nos. 2-6, 9, 11a, 60					
		Axle Set , Includes Key Nos. 2-6, 9, 60					
		QUIK-ALIGN Pivot Bushing Service Kit, One Side		24		Air Spring Assembly, Includes Upper Bracket and Fasteners	2
	34013-103	Includes Key Nos. 4-6, 9, 11a, 60			60925-002	21K • 23K	
	34013-322	Includes Key Nos. 4-6, 9, 60			60929-002	Front Engine, 21K • 23K	
	60632-013	QUIK-ALIGN Collar Service Kit, Axle Set , Includes Key Nos. 2-6, <i>Replaces 60632-001</i>			49177-006	Lower Air Spring Fastener Service Kit, Axle Set Includes Key Nos. 25-26	
2		*QUIK-ALIGN Concentric Collar	3	25	22962-014	½" Flat Washer	2
3		*QUIK-ALIGN Eccentric Collar	1	26	17700-010	½"-13 UNC Nylocknut	2
	60632-018	QUIK-ALIGN Fastener Service Kit, One Side , Includes Key Nos. 4-6		27		Cross Channel – 40" Axle Dowel Pin Centers Standard	1
4		*1"-14 UNF x 7½" Bolt, <i>Replaces 64107-000</i>	2		57317-001	For Differential Relief	
5		*1" Hardened Washer, <i>Replaces 22962-035</i>	4		64399-001	Square Tube for Rear Engine, Propane	
6		*1"-14 UNF Locknut, <i>Replaces 64108-000</i>	2		67156-001	Lower Shock Bracket Assembly, Includes Key Nos. 28-31	2
		Main Support Assembly	2	28	57355-000	Lower Shock Bracket	2
	82433-000	23K, Includes Key Nos. 7, 8a, 9-10, 11a, 12-15 <i>Replaces 60779-000</i>		29	50764-002	¾"-10 UNC x 5½" Bolt	2
	82432-000	21K, Includes Key Nos. 7, 8b, 9, 11b, 12		30	22962-001	¾" Hardened Washer	4
7		*Main Support Member	2	31	49842-000	¾"-10 UNC Locknut	2
8 a		*23K, Secondary Leaf	2		50763-004	Cross Channel Fastener Service Kit, Axle Set , Includes Key Nos. 32-35	
b		*21K, Flexi Wrap, Includes Key No. 11b	2	32	50764-003	¾"-10 UNC x 3½" Bolt	2
9	58648-000L	QUIK-ALIGN Pivot Bushing	2	33	50764-005	¾"-10 UNC x 3" Bolt	2
10	60392-000	Spring Eye Clip	2	34	22962-001	¾" Hardened Washer	8
	49175-026	Spring Eye Clip Fastener Service Kit, One Side , Includes Key Nos. 11a, 12-15		35	49842-000	¾"-10 UNC Locknut	4
11 a	64817-000	23K, Plastic Isolator Puck	4	36	60998-003L	Shock Absorber, <i>Replaces 60998-001</i>	2
b	59770-000	21K, Rubber Isolator Pad	4	37	67463-002	Upper Shock Bracket	2
12	64272-000	Spring Eye Clip Sleeve	4	38	50764-010	¾"-10 UNC Serrated Shank Bolt	2
13	37042-006	¾"-14 UNC Bolt, <i>Replaces 37042-002</i>	2	39	22962-001	¾" Hardened Washer	2
14	37587-000	¾"-14 UNC Locknut	2	40	49842-000	¾"-10 UNC Locknut	2
15		*Clip Bolt Spacer	2		59013-000	Single Height Control Valve Service Kit , Includes Key Nos. 41-43	
16	56805-000	Top Pad	2	41		*Height Control Valve	1
		U-bolt Service Kit, Axle Set		42		*¾" Hardened Washer	2
	48718-023	21K, 23K w/o Tire Chains, Includes Key Nos. 17a, 18-20		43		*¾"-20 UNC Locknut	2
	48718-002	23K, Includes Key Nos. 17b, 18-20				HCV Linkage Lower Bracket Service Kit	
	48718-103	21K, 23K w/o Tire Chains, Includes Key Nos. 17c, 18-20			57430-000	All Except Rear Engine, Includes Key Nos. 44a-47	
	48718-152	23K, Includes Key Nos. 17d, 18-20			57430-003	Rear Engine Only, Includes Key Nos. 44b-47	
17		¾"-14 UNF U-bolt	4	44		HCV Linkage Bracket	1
a	47417-007	15"		a	56789-000	All Except Rear Engine	
b	47417-001	16¼"		b	58367-000	Rear Engine	
c	47417-004	17¼"		45	56935-001	¼"-20 UNC x 1¼" Bolt	2
d	47417-009	18"		46	22962-028	¼" Hardened Washer	4
18	22962-002	¾" Hardened Flat Washer	8	47	49983-000	¼"-20 UNC Locknut	2
19	50765-000	¾"-14 UNF U-bolt Locknut	8	48	58994-XXX	HCV Linkage Assembly, Specify Length Includes Key Nos. 49-55	1
20	48574-000	Spherical Washer	8	49		*HCV Linkage Rod	1
21		Spacer	As Req.	50		*5/16"-18 UNC Jam Nut	2
	48531-014	1½"		51		*5/16"-18 UNC Locknut	2
	76863-000	2½"		52		*5/16" Hardened Washer	2
22		Spring Seat	2	53		*5/16"-18 UNC Stud	2
	57022-010	Meritor RS15-120 - 4½° Pinion Angle LH / RH Meritor RS21-145, RS23-160		54		*Valve Arm Clamp	1
	56501-001	2° Pinion Angle LH/RH, 8.5" Ride Height		55		*Adjustable Valve Arm Joint	1
	56501-002	2.5° Pinion Angle LH/RH		56	62000-XXX	Transverse Torque Rod Assembly, Specify Length	1
	56501-006	4.5° Pinion Angle LH/RH, 8.5" Ride Height		57	47691-000L	Torque Rod Bushing	2
	56501-009	6° Pinion Angle LH/RH		58	49689-000L	Torque Rod Shim	As Req.
	56501-020	4.5° Pinion Angle LH/RH, 10.5" Ride Height		59	22186-000	Transverse Torque Rod Frame Bracket	1
	56501-021	0° Pinion Angle LH/RH		60	70867-001	P-80 Lubricant - 10 ml (Not Shown)	As Req.
	56501-022	2° Pinion Angle LH/RH, 10.5" Ride Height					
		Meritor RC23-160					
	56501-020	Negative 4.5° Pinion Angle LH/RH					

NOTE: * Item included in kit/assembly only, part not sold separately.

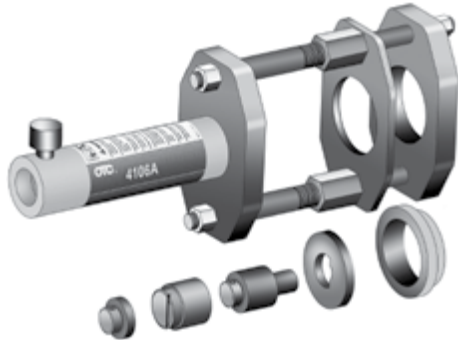


■ Special Tools

D-PIN / QUIK-ALIGN PIVOT BUSHING SERVICE TOOLS

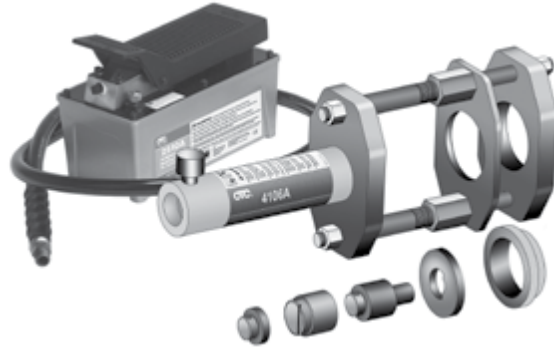
Hendrickson Part No. 66086-202

OTC Part No. 4246 Visit otctools.com



Hendrickson Part No. 66086-204

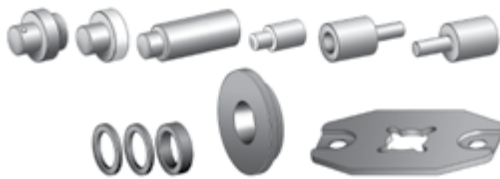
OTC Part No. 4247 Visit otctools.com



Hendrickson Part No. 66086-205

OTC Part No. 4254 Visit otctools.com

NOTE: In conjunction with Hendrickson Part No. 66086-204 (OTC 4247) this additional adapter tool kit is available to purchase to be used on Hendrickson SOFTEK NXT suspension (not needed for this suspension)



QUIK-ALIGN PIVOT BUSHING SERVICE TOOL

Hendrickson Part No. 66086-203L



QUIK-ALIGN SOCKET TOOL

Hendrickson Part No. 66086-200

OTC Part No. 1767

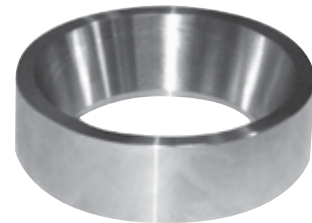
Visit otctools.com



ULTRA ROD TORQUE ROD BUSHING FUNNEL TOOL

Hendrickson Part No.

66086-001



This is a general parts list to provide directional information. Components may vary by model. Questions in regards to parts, contact Hendrickson Truck Parts at 1.866.755.5968 (Toll-free U.S. and Canada), 630.910.2800 (Outside U.S. and Canada) or e-mail: truckparts@hendrickson-intl.com. Actual product performance may vary depending upon vehicle configuration, operation, service and other factors. All applications must comply with applicable Hendrickson specifications and must be approved by the respective vehicle manufacturer with the vehicle in its original, as-built configuration. Contact Hendrickson for additional details regarding specifications, applications, capacities, and operation, service and maintenance instructions.

Call your truck dealer or Hendrickson at **1.866.755.5968** (toll-free) or **1.630.910.2800** for additional information.



www.hendrickson-intl.com

TRUCK COMMERCIAL VEHICLE SYSTEMS
 800 South Frontage Road
 Woodridge, IL 60517-4904 USA
 1.866.755.5968 (Toll-free U.S. and Canada)
 1.630.910.2800 (Outside U.S. and Canada)
 Fax 1.630.910.2899

SP-173 Rev G 07-19

© 2001 – 2019 Hendrickson USA, L.L.C. All Rights Reserved. All trademarks shown are owned by Hendrickson USA, L.L.C., or one of the affiliates, in one or more countries. Information contained in this literature was accurate at the time of publication. Product changes may have been made after the copyright date that are not reflected.

Printed in United States of America