

PARTS LIST

IVECO AIRTEK SUSPENSIONS

LIT NO: 97114-057

DATE: February 2018 REVISION: H



SECTION	PAGE
INTRODUCTION.....	2
High Conical Stiffness (HCS) AIRTEK Suspension.....	2
HCS AIRTEK Suspension System Identification	2
SINGLE STEER SUSPENSION (4.4m WB)	3
Assembly Part Number: 97360-039.....	3
Single Steer Hanger Group	3
Single Steer Axle Assembly.....	4
Single Steer Suspension Assembly	6
SINGLE STEER AXLE (5.5 – 7m WB)	8
Front Suspension Assembly Part Number 97360-050	8
TWIN STEER SUSPENSION (5.8m WB).....	9
First Steer Suspension Assembly Part Number 97360-044	9
TWIN STEER SUSPENSION (4.2m WB).....	10
Second Steer Suspension Assembly Part Number 97360-045.....	10
TWIN STEER SUSPENSION (5.0m WB).....	11
First Steer Suspension Assembly Part Number 97360-046	11
TWIN STEER SUSPENSION (4.2m WB).....	12
Second Steer Suspension Assembly Part Number 97360-047	12
HCS AIRTEK SUSPENSION.....	13
Single Steer Axle Assembly.....	13
Twin Steer First Axle Assembly.....	14
Twin Steer Second Axle Assembly	15



INTRODUCTION

The AIRTEK™ Parts Listing details the parts and service replacement parts available for the Hendrickson AIRTEK Suspension fitted to the ACCO series of vehicles.

This parts listing DOES NOT include the wheel end components. Refer to the OEM for these items.

The foundation of the AIRTEK parts list is the standard (4.4m wheelbase) single steer version. Unique components for the various wheelbases and twin steer units are detailed against each various wheelbase.

High Conical Stiffness (HCS) AIRTEK Suspension

High Conical Stiffness AIRTEK Suspension was introduced into IVECO production during May 2015. The majority of components of the HCS AIRTEK suspension system remain unchanged, and the standard (4.4m wheelbase) AIRTEK single steer version (Assembly Part Number: 97360-039) remains the foundation of this system. The unique components for the HCS AIRTEK suspension system are detailed separately.

In addition to the unique components, a HCS retrofit kit is also available, and provides all components required to upgrade early versions of AIRTEK Suspension to the HCS configuration. All parts included in the HCS retrofit kits are shown in the relevant illustrations, noting that part numbers are only listed for the components unique to the HCS AIRTEK suspension system. For part number identification of common components, refer to the information provided for the standard (4.4m wheelbase) single steer version and/or the various wheelbases and twin steer units.

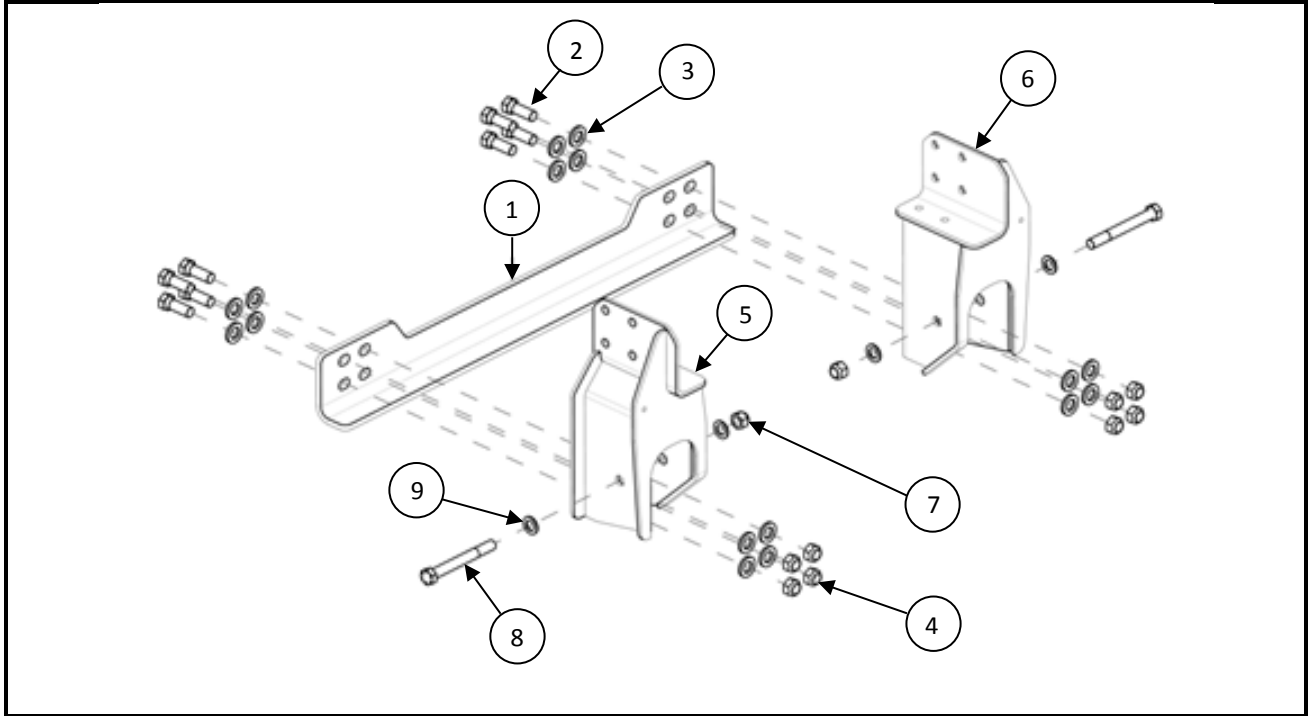
HCS AIRTEK Suspension System Identification

To identify whether a vehicle is equipped with HCS AIRTEK suspension it is recommended to check the spring pad to axle fastener design. Early type AIRTEK suspension systems utilise standard bolts while HCS suspension systems use U-Bolts to secure the spring pad to the axle assembly.

SINGLE STEER SUSPENSION (4.4m WB)

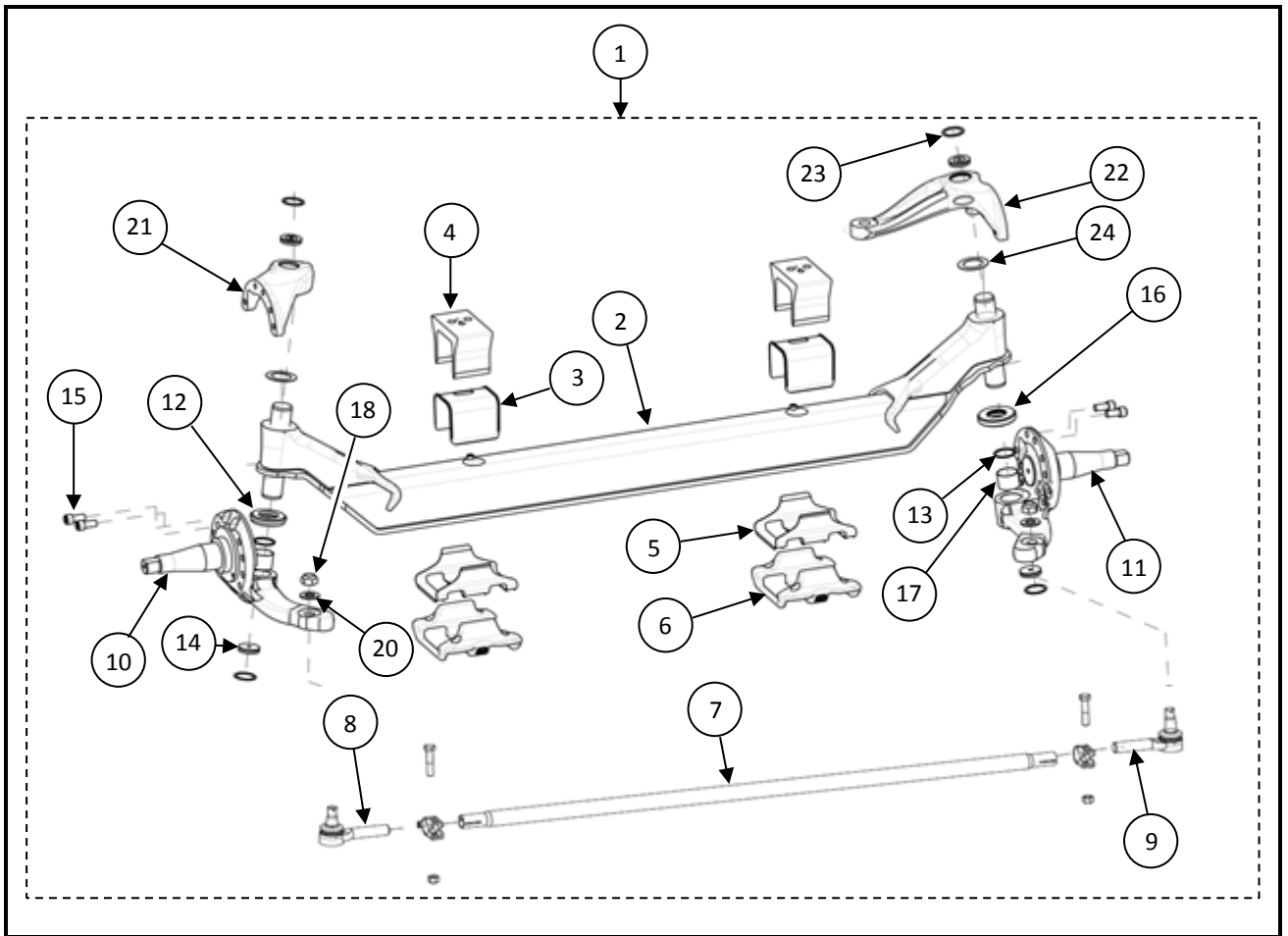
Assembly Part Number: 97360-039

Single Steer Hanger Group



Item	Part Number	Description	Qty	Notes
1	97213-005	Cross Member	1	
2	97023-005	Bolt – M20	8	
3	98573-005	Washer, Hardened – M20	16	
4	97024-001	Nut, Lock – M20	8	
5	97213-001	Hanger, Front – LH	1	
6	97213-002	Hanger, Front – RH	1	
7	49842-000	Nut, Lock – 3/4 Inch	2	
8	97324-003	Bolt – 3/4 Inch	2	
9	22962-001	Washer, Hardened – 3/4 Inch	4	

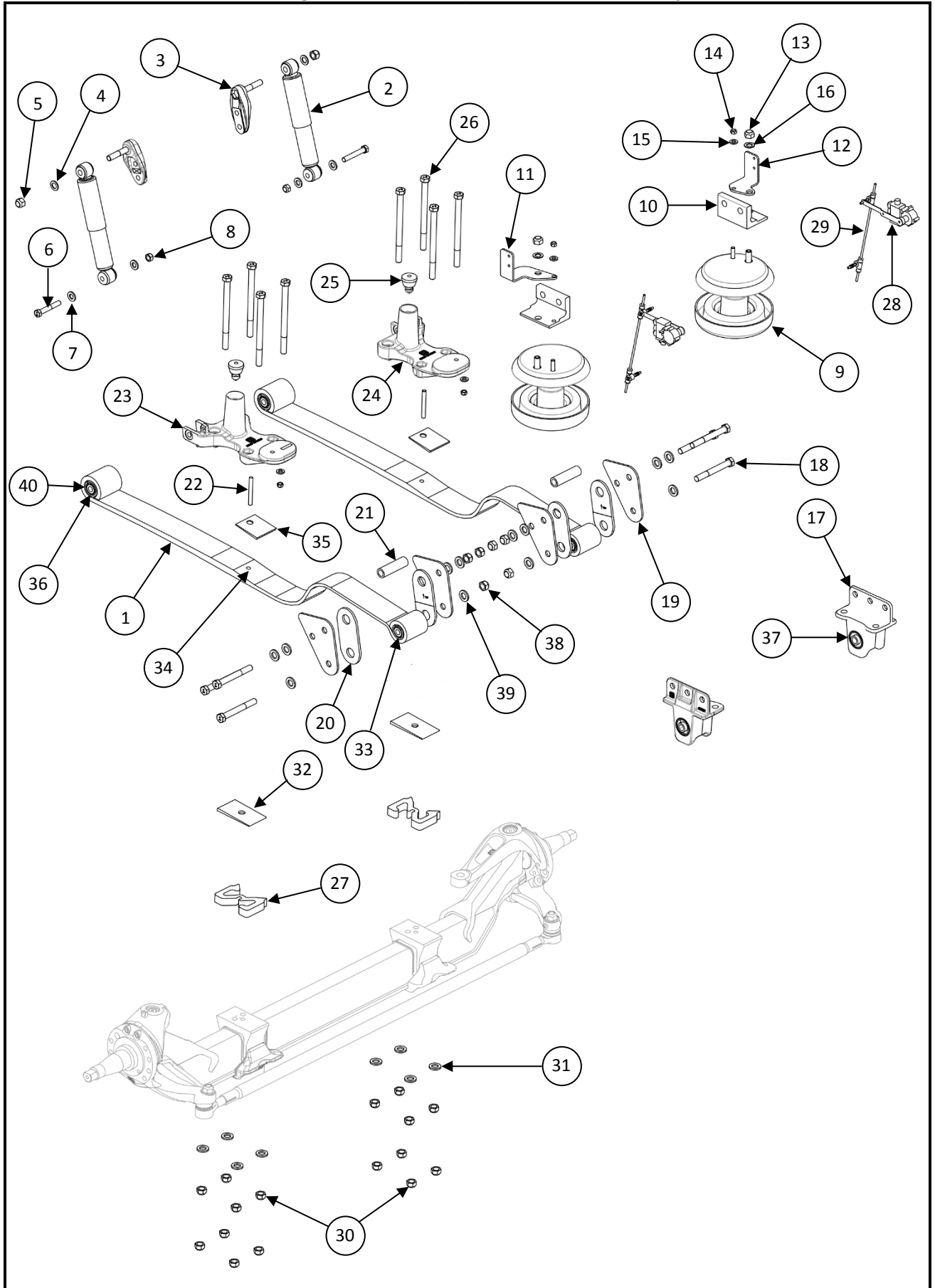
Single Steer Axle Assembly



Item	Part Number	Description	Qty	Notes
1	67952-015	Complete Axle Assembly	1	
2	67905-405Q	Bare Axle Beam	1	
3	60508-000	Axle Wrap Liner, Top – Plastic	2	
4	59952-029	Axle Wrap, Top	2	
5	59845-000	Axle Wrap Liner, Bottom – Plastic	2	
6	64722-003	Axle Wrap, Bottom	2	
7	64006-002	Tie Rod – Medium WB	1	Assembly only.
8	60961-027	Tie Rod End Kit, LH	1	Includes items 8, 18, 19 & 20.
9	60961-028	Tie Rod End Kit, RH	1	Includes items 8, 18, 19 & 20.
10	58900-005	Steering Knuckle Assembly, LH	1	
11	58900-006	Steering Knuckle Assembly, RH	1	
12	NSS	Thrust Washer, Roller Bearing,	1	Included in Item 14B & 14C.
	59828-000	Thrust Washer, Composite Bearing	1	Refer to note below.
13	NSS	King Pin Seal	4	Included in items 14B & 14C.
14A	59156-000	Grease Cap Assembly	4	
14B	60961-040	Kit, King Pin Bushing & Thrust Bearing	1	Includes items 12, 13, 14, 15, 16, 17, 23 & 24. Refer to note below.
14C	60961-043	Thrust Bearing Service Kit	1	Includes items 12, 13, 15, 16 & 24. Refer to note below.
15	60236-001	Cap Screw, Socket Head – 5/8 Inch	4	
16	59828-000	Thrust Washer, Composite Bearing	1	
17	NSS	Bushing, King Pin	4	Included in item 14B.
18	NSS	Nut, Castle – 7/8 Inch	2	Included in items 8 & 9.
19	NSS	Split Pin – King Pin Nut (Not Illustrated)	2	Included in items 8 & 9.
20	22962-007	Washer, Hardened – 7/8 Inch	2	
21	60904-001	King Pin Connection Assembly, Upper	1	
22	70903-102	Arm, Steering	1	
23	58937-000	Ring, Retaining	4	
24	60259-001	Shim, King Pin – 0.005 Inch	AR	Included in items 14B & 14C.
	60259-002	Shim, King Pin – 0.047 Inch	AR	Included in items 14B & 14C.

NOTE: Iveco vehicles from Mid-2012 were fitted with composite type thrust bearing at both wheel ends. If the vehicle has two composite thrust bearings, then an additional 59828-000 bearing must be purchased to complement the service kit (60961-040 or 60961-043).

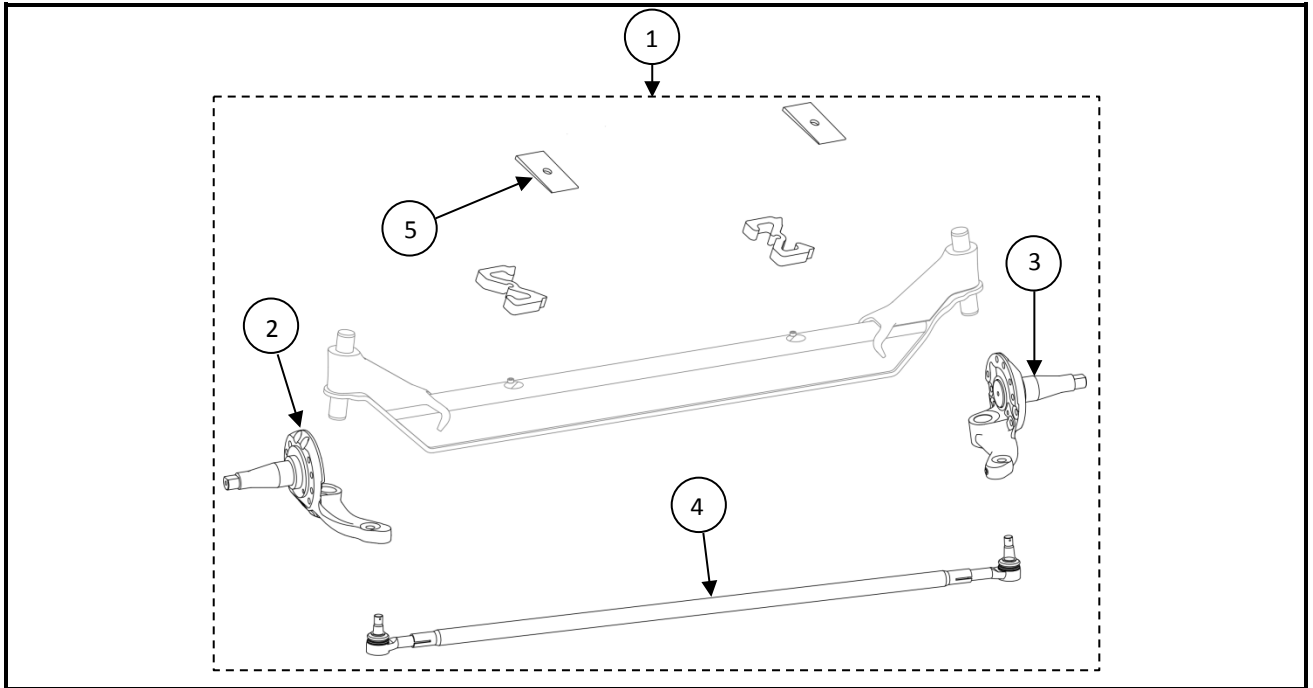
Single Steer Suspension Assembly



Item	Part Number	Description	Qty	Notes
1	67477-000	Spring Assembly	2	
2	98583-033	Shock Absorber	2	Refer to 97117-211.
3	97125-007	Bracket, Upper Shock Mount	2	
4	22962-001	Washer, Hardened – 3/4 Inch	16	
5	49842-000	Nut, Lock – 3/4 Inch	2	
6	97020-004	Bolt – M16	2	
7	58246-003	Washer, Hardened – M16	4	
8	97021-001	Nut, Lock – M16	2	
9	60716-002	Air Spring	2	
10	60738-002	Bracket, Air Spring	2	
11	97212-001	Bracket, Height Control Valve – LH	1	
12	97212-002	Bracket, Height Control Valve – RH	1	
13	97024-001	Nut, Lock – M20	6	
14	58248-000	Nut, Lock – M12	4	
15	58246-001	Washer, Hardened – M12	4	
16	98573-005	Washer, Hardened – M20	4	
17	97214-003	Bracket Assy – Small	2	Includes bush.
18	97023-006	Bolt – M20	6	
19	64794-000	Plate, Shackle	4	
20	97313-001	Pad, Wear	4	
21	60631-000	Shackle Stop Spacer	2	
22	57159-009	Pin, Dowel – 107.2 mm	2	
23	97217-001	Spring Pad, Top – LH	1	
24	97217-002	Spring Pad, Top – RH	1	
25	64080-000	Bump Stop	2	
26	97023-014	Bolt – M20 x 1.5 x 270	8	Included in item 32. Refer to 97117-229.
27A	64318-040	Z-Spacer, Axle – 40 mm	2	
27B	64318-028	Z-Spacer, Axle – 28 mm	2	Only used with caster kit. Included in item 32.
28	98603-008	Height Control Valve Assembly	2	
29	98600-006	Rod, Height Control Valve	2	
30	97024-003	Nut, Lock – M20 x 1.5	16	Included in item 32. Refer to 97117-229.
31	98573-005	Washer, Narrow – M20	8	Included in item 32.
32	98785-121	Wedge Kit – 2.8 deg x 6.7 mm	2	Includes items 26, 27B, 30, 31 & 35.
33	60443-000	Bush, Spring – Rear	2	
34	37674-114	Liner, Galvanised	2	
35	NSS	Wedge 2.8 deg – Use Wedge Kit	2	Included in item 32.
36	60432-000	Bush, Spring – Front	2	
37	60443-000	Bush, Hanger – Rear	2	
38	97024-001	Nut, Lock – M20	6	
39	98573-005	Washer, Hardened – M20	12	
40	97319-001	Adaptor Sleeve, Front Bushing	2	

SINGLE STEER AXLE (5.5 – 7m WB)

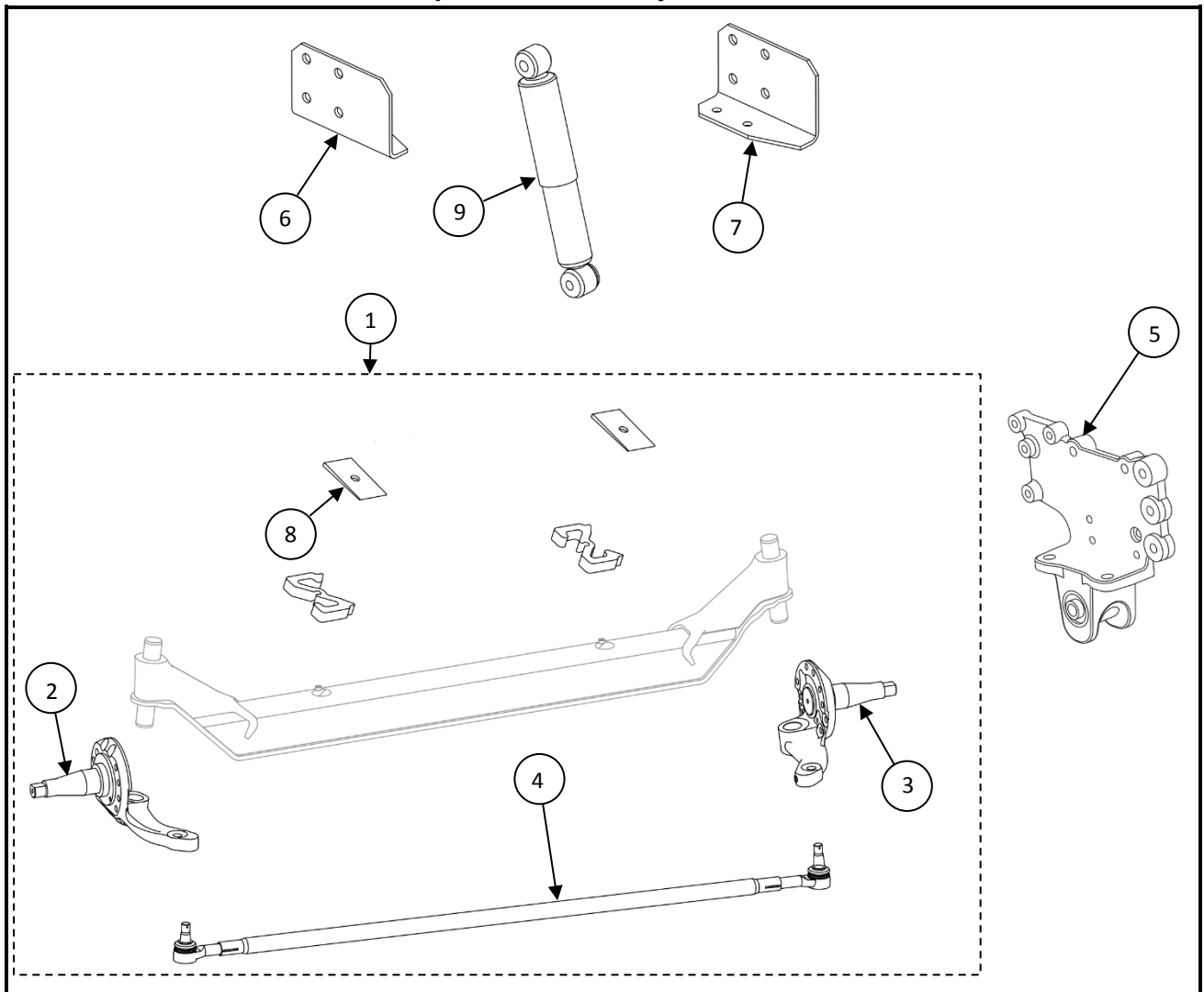
Front Suspension Assembly Part Number 97360-050



Item	Part Number	Description	Qty	Notes
1	67952-016	Complete Axle Assembly	1	Includes bare axle beam.
2	58900-001	Steering Knuckle Assembly, LH	1	
3	58900-002	Steering Knuckle Assembly, RH	1	
4	64006-003	Tie Rod Assembly – Long WB	1	Assembly only.
5	98785-121	Wedge Kit– 2.8 Degree x 6.7 mm	1	Caster spacer kit includes Z-Spacers and mounting hardware.

TWIN STEER SUSPENSION (5.8m WB)

First Steer Suspension Assembly Part Number 97360-044

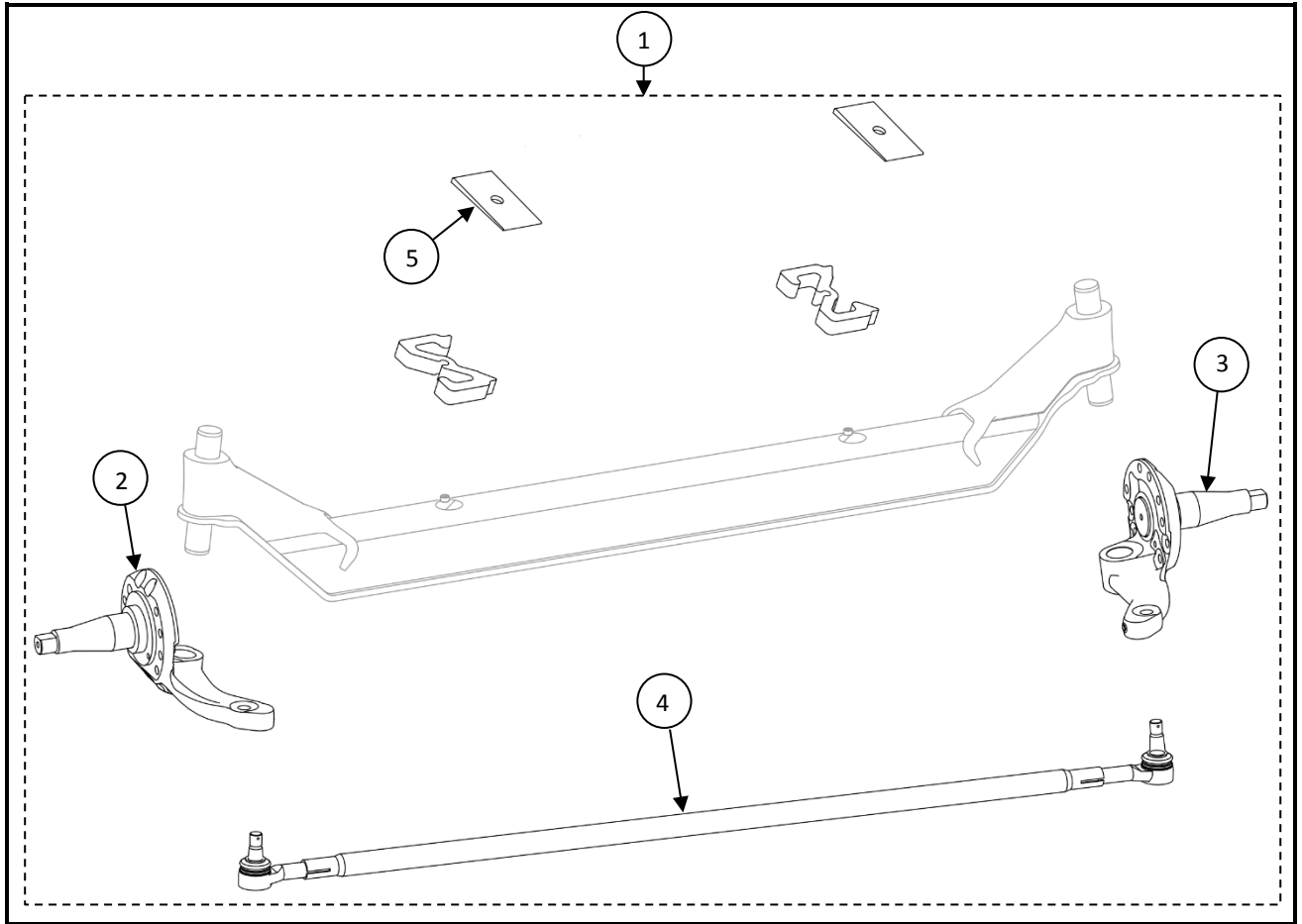


Item	Part Number	Description	Qty	Notes
1	67952-016	Complete Axle Assembly	1	Includes bare axle beam.
2	58900-001	Steering Knuckle Assembly, LH	1	
3	58900-002	Steering Knuckle Assembly, RH	1	
4	64006-003	Tie Rod Assembly – Long WB	1	Assembly only.
5	97215-003	Bracket, Large – RH	1	
6	97213-003	Spacer, Front Hanger, LH	1	
7	97213-004	Spacer, Front Hanger, RH	1	
8	98785-120	Wedge Kit – 2.8 & 3.2 Degree	1	Spacer kit includes Z-Spacers and mounting hardware to suit both axles.
9	98583-033	Shock Absorber, Standard Stroke	2	See note below.
	98583-054	Shock Absorber, Short Stroke	2	See note below.

NOTE: There are two possible shock absorbers fitted on the front steer axle only of the twin-steer suspension configuration. The correct shock absorber to be fitted is determined by the upper shock absorber mount bracket location on the chassis rail. Refer to publication 97117-211 to identify correct shock absorber configuration.

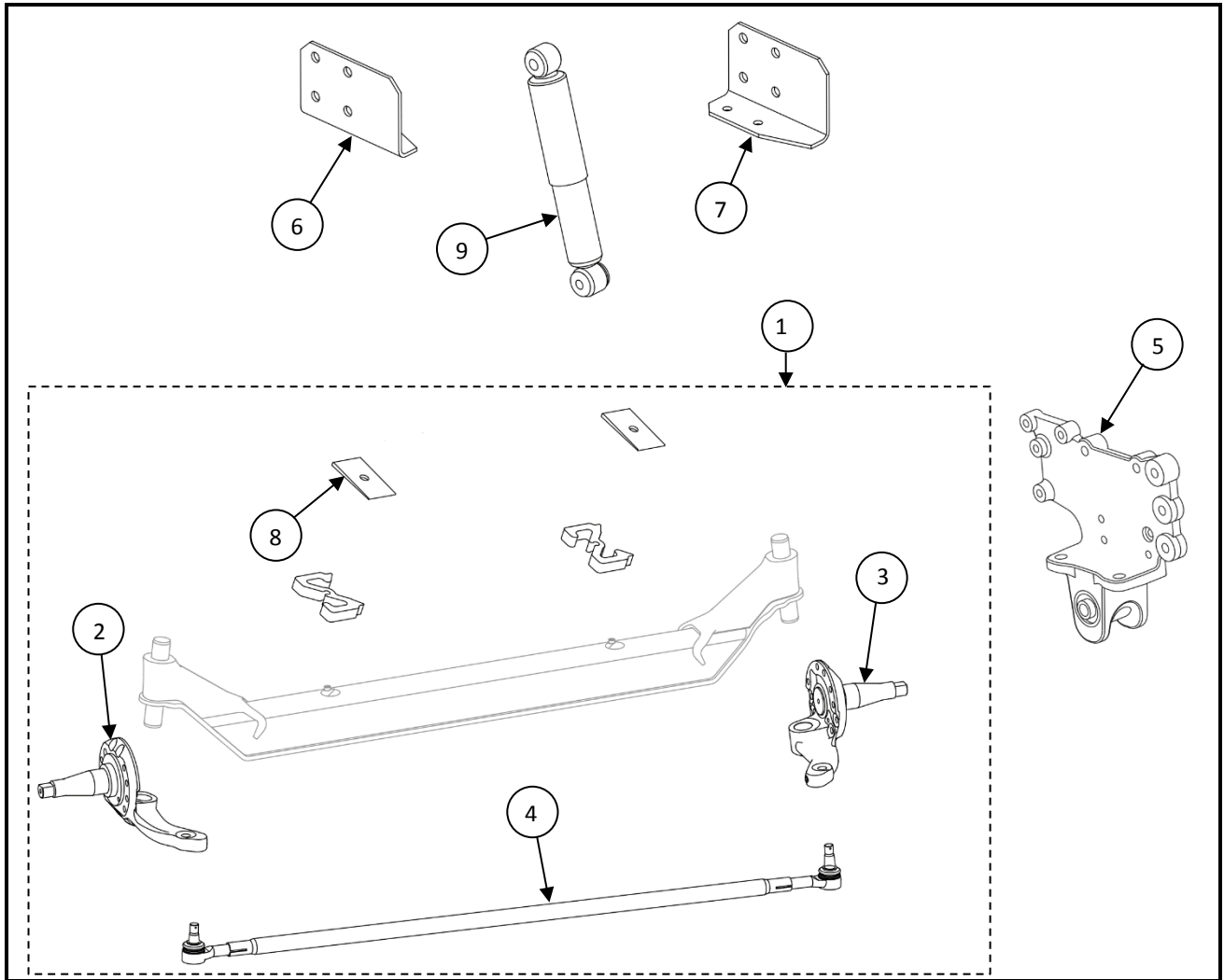
TWIN STEER SUSPENSION (4.2m WB)

Second Steer Suspension Assembly Part Number 97360-045



Item	Part Number	Description	Qty	Notes
1	67952-018	Complete Axle Assembly	1	Includes bare axle beam.
2	58900-005	Steering Knuckle Assembly, LH	1	
3	58900-006	Steering Knuckle Assembly, RH	1	
4	64006-002	Tie Rod Assembly – Long WB	1	Assembly only.
5	98785-121	Wedge Kit – 2.8 Degree	1	Caster spacer kit includes Z-Spacers and mounting hardware to suit second steer axle only.
	98785-120	Wedge Kit – 2.8 & 3.2 Degree	1	Caster spacer kit includes Z-Spacers and mounting hardware to suit both twin-steer axles.

TWIN STEER SUSPENSION (5.0m WB)
First Steer Suspension Assembly Part Number 97360-046

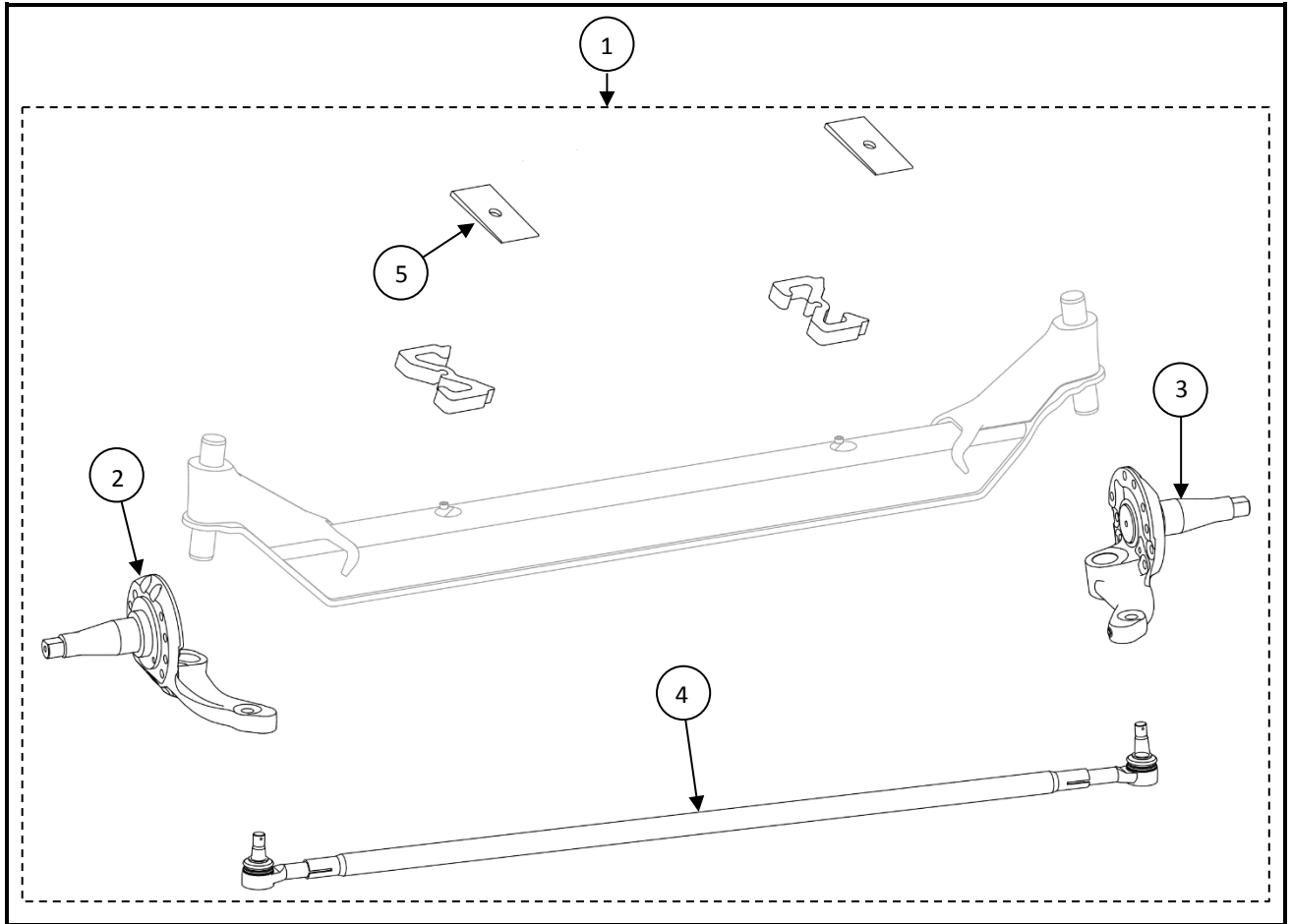


Item	Part Number	Description	Qty	Notes
1	67952-017	Complete Axle Assembly	1	Includes bare axle beam.
2	58900-003	Steering Knuckle Assembly, LH	1	
3	58900-004	Steering Knuckle Assembly, RH	1	
4	64006-002	Tie Rod Assembly – Long WB	1	Assembly only.
5	97215-003	Bracket, Large – RH	1	
6	97213-003	Spacer, Front Hanger, LH	1	
7	97213-004	Spacer, Front Hanger, RH	1	
8	98785-120	Wedge Kit – 2.8 & 3.2 Degree	1	Caster spacer kit includes Z-Spacers and mounting hardware to suit both twin-steer axles.
9	98583-033	Shock Absorber, Standard Stroke	2	See note below.
	98583-054	Shock Absorber, Short Stroke	2	See note below.

NOTE: There are two possible shock absorbers fitted on the front steer axle only of the twin-steer suspension configuration. The correct shock absorber to be fitted is determined by the upper shock absorber mount bracket location on the chassis rail. Refer to publication 97117-211 to identify correct shock absorber configuration.

TWIN STEER SUSPENSION (4.2m WB)

Second Steer Suspension Assembly Part Number 97360-047

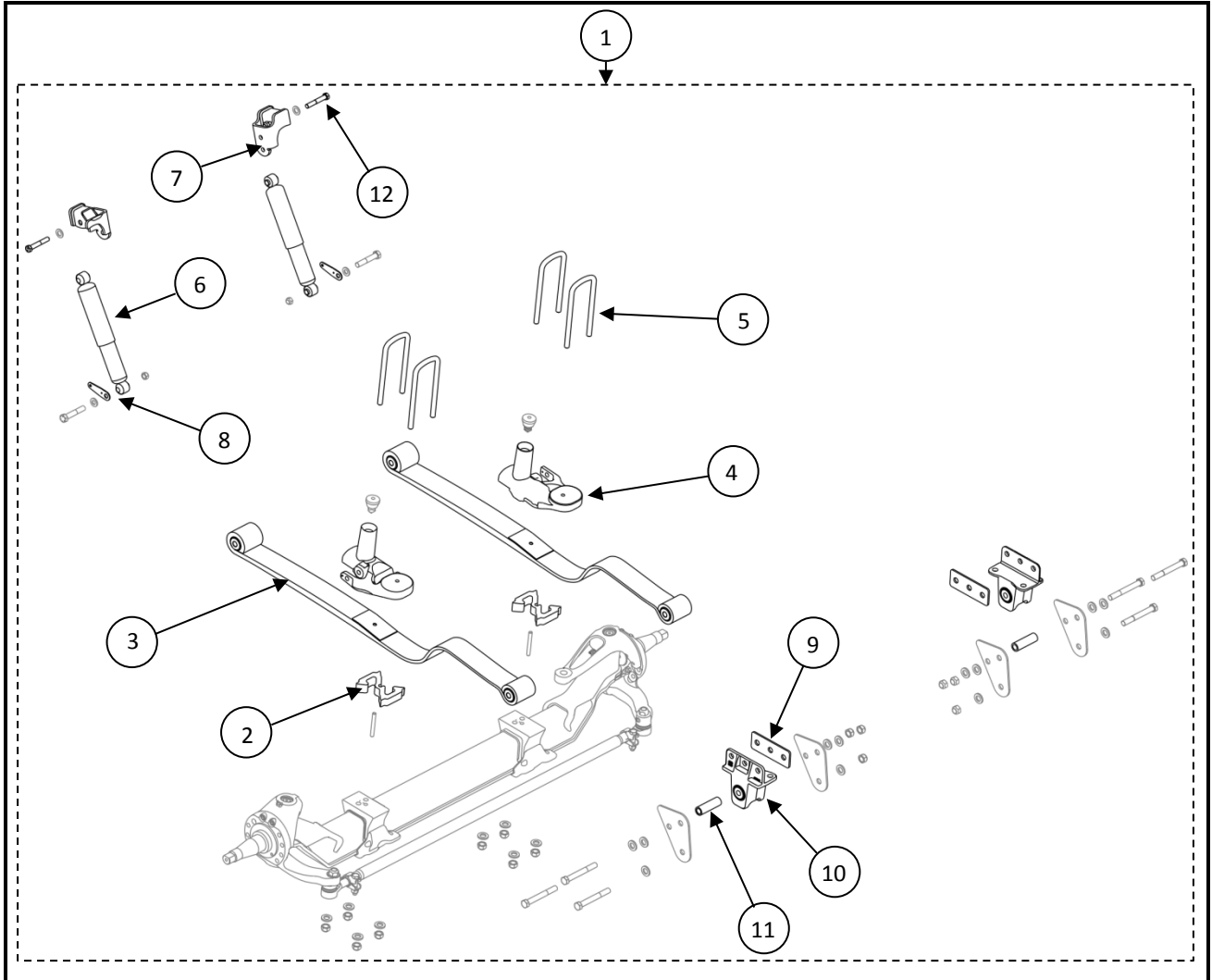


Item	Part Number	Description	Qty	Notes
1	67952-018	Complete Axle Assembly	1	Includes bare axle beam.
2	58900-005	Steering Knuckle Assembly, LH	1	
3	58900-006	Steering Knuckle Assembly, RH	1	
4	64006-002	Tie Rod Assembly – Long WB	1	Assembly only.
5	98785-121	Wedge Kit– 2.8 Degree x 6.7 mm	1	Caster spacer kit includes Z-Spacers and mounting hardware.



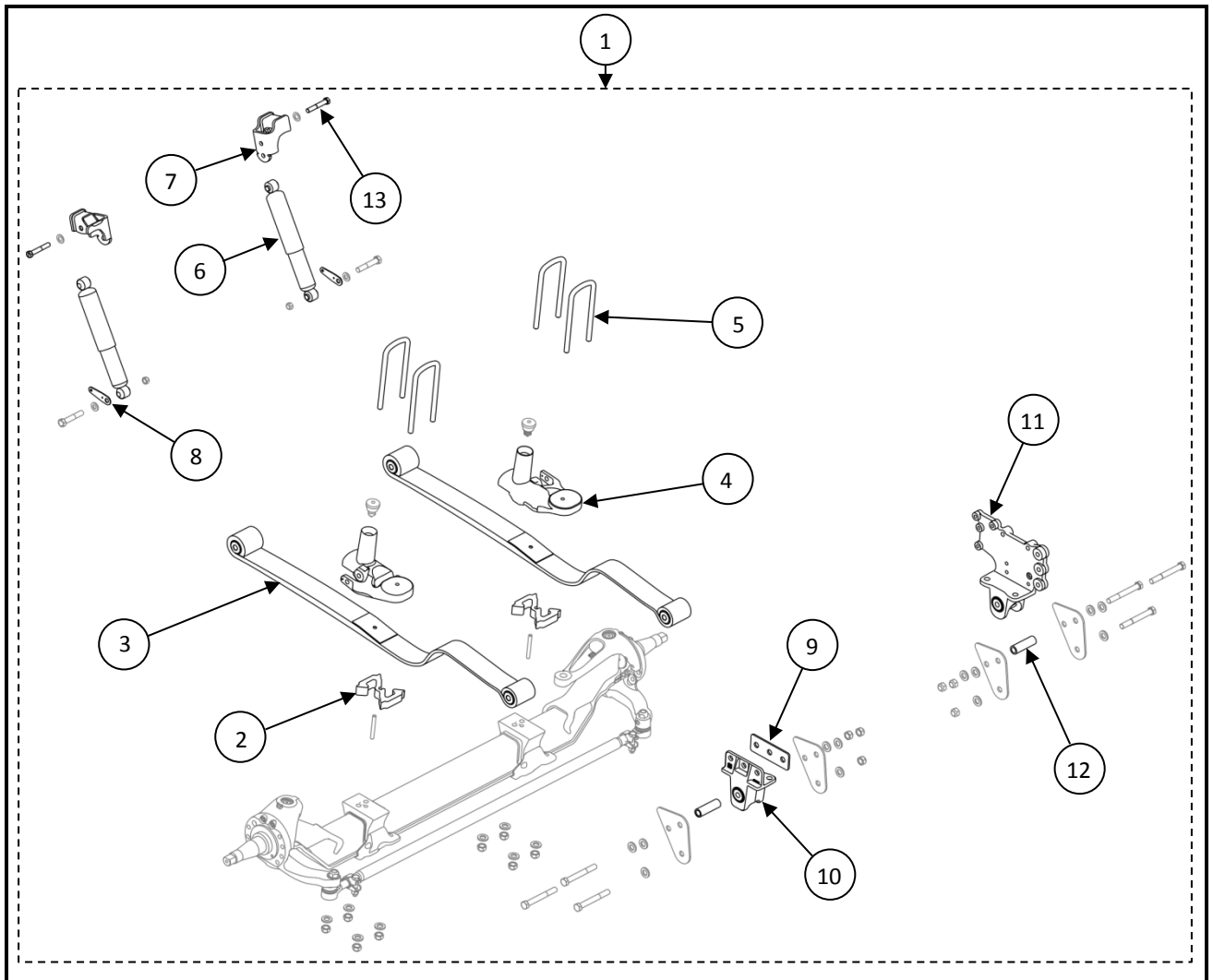
HCS AIRTEK SUSPENSION

Single Steer Axle Assembly



Item	Part Number	Description	Qty	Notes
1	97772-003	HCS Retrofit Kit	1	Axle assembly not included.
2	97785-231	Z-Spacer – 2.8 Degree	2	
3	53731-000	Spring Assembly – HCS AIRTEK	2	
4	97774-001	Spring Pad, Top – LH	1	
	97774-002	Spring Pad, Top – RH	1	
5	65663-002	U-Bolt, Top Pad – M20 x 2.5 6G	4	
6	98583-064	Shock Absorber	2	
7	97125-011	Upper Shock Absorber Mount - LH -	1	
	97125-012	Upper Shock Absorber Mount - RH -	1	
8	97773-001	Bracket, Lower – HCV Rod	2	
9	97213-019	Spacer – Rear Spring Hanger	2	
10	97214-012	Bracket, Hanger Assembly – Rear Spring	2	
11	60631-002	Spacer, Shackle Stop	2	
12	98766-003	Bolt, Upper Shock – 3/4 UNC x 4	2	

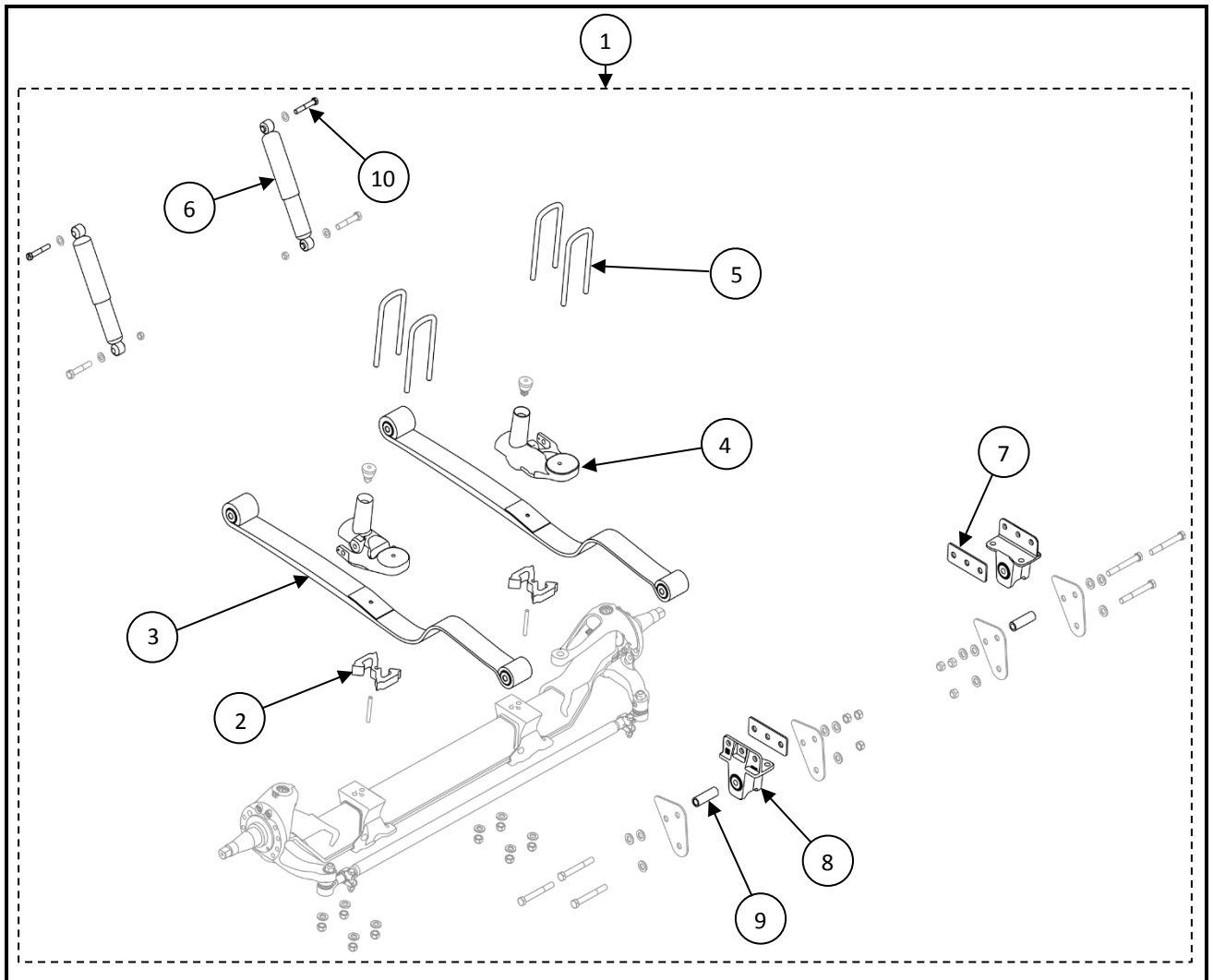
Twin Steer First Axle Assembly



Item	Part Number	Description	Qty	Notes
1	97772-001	HCS Retrofit Kit	1	Axle assembly not included.
2	97785-131	Z-Spacer – 3.2 Degree	2	
3	53731-000	Spring Assembly – HCS AIRTEK™	2	
4	97774-001	Spring Pad, Top – LH	1	
	97774-002	Spring Pad, Top – RH	1	
5	65663-002	U-Bolt, Top Pad – M20 x 2.5 6G	4	
6	98583-064	Shock Absorber	2	
7	97125-011	Upper Shock Absorber Mount - LH -	1	
	97125-012	Upper Shock Absorber Mount - RH -	1	
8	97773-001	Bracket, Lower – HCV Rod	2	
9	97213-019	Spacer – Rear Spring Hanger	2	
10	97214-012	Bracket, Hanger Assembly – Rear Spring	1	Includes bush.
11	97215-007	Bracket, Hanger Assembly – Rear Spring	1	Includes bush.
12	60631-002	Spacer, Shackle Stop	2	
13	98766-003	Bolt, Upper Shock – 3/4 UNC x 4	2	



Twin Steer Second Axle Assembly



Item	Part Number	Description	Qty	Notes
1	97772-002	HCS Retrofit Kit	1	Axle assembly not included.
2	97785-231	Z-Spacer – 2.8 Degree	2	
3	53731-000	Spring Assembly – HCS AIRTEK™	2	
4	97774-001	Spring Pad, Top – LH	1	
	97774-002	Spring Pad, Top – RH	1	
5	65663-002	U-Bolt, Top Pad – M20 x 2.5 6G	4	
6	98583-064	Shock Absorber	2	
7	97213-019	Spacer – Rear Spring Hanger	2	
8	97214-012	Bracket, Hanger Assembly – Rear Spring	2	Includes bush.
9	60631-002	Spacer, Shackle Stop	2	
10	98766-003	Bolt, Upper Shock – 3/4 UNC x 4	2	



Revisions Table

DATE	REV	PAGE	DESCRIPTION
26 Aug 2015	E	All	Rewrite of complete listing to include HCS
12 Feb 2016	F	7	Note in item 2 revised from 97114-211 to 97117-211
		9, 11	Note revised from 97117-121 to 97117-211
17 Feb 2017	G	7 – 12	Removal of parts not serviced due to 98785-121/122 service kits. ECP number 11016.
22 May 2017	H	5	Corrected part number for steering arm - item 22.

Information contained in this literature was accurate at the time of publication. Product changes may have been made after the publication date that are not reflected here.



ABN 21 004 992 769
 32-44 Letcon Drive, P.O. Box 1063, Dandenong, Victoria, 3175
 Phone 61.3.8792.3600 Fax 61.3.8792.3699
www.hendrickson.com.au