



TRUCK SUSPENSIONS

H TECHNICAL BULLETIN

No: 97117-182
Subject: HAS Conversions
Date: June 2007 **Rev:** A

Formally 49441-112

Suspension Upgrade Kits

Hendrickson have available kits to make it easier to convert an HAS400 or HAS460 Suspension to a HAS461 Suspension to comply with 90 tonne doubles ratings.

To Convert HAS400 to HAS461

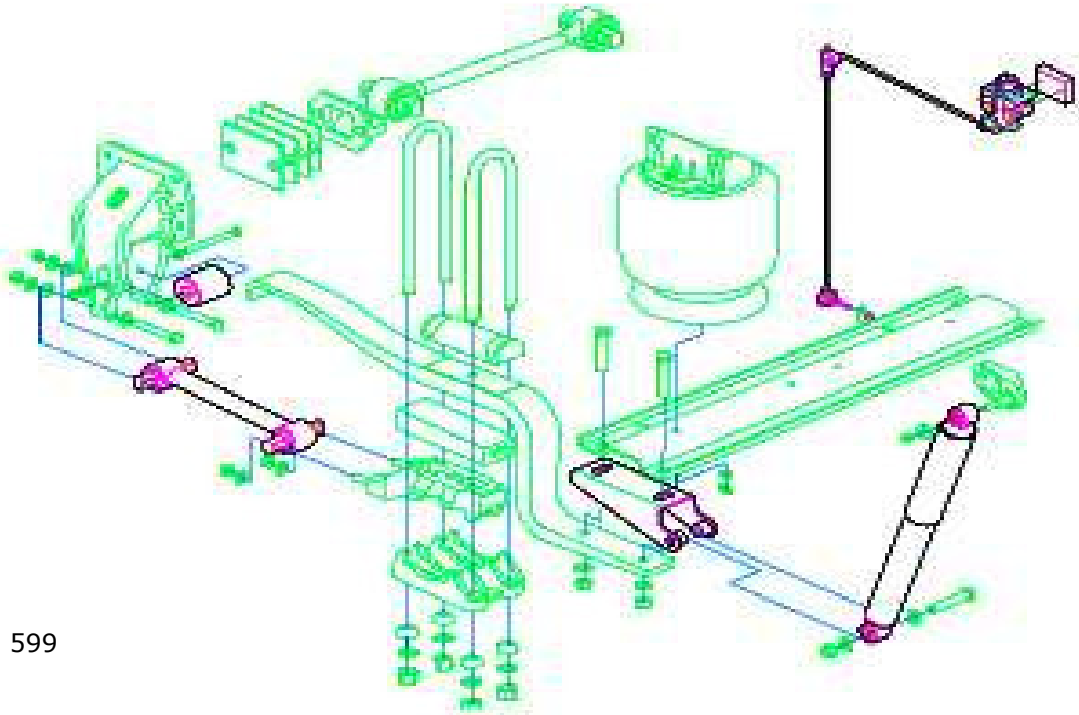
Use Kit No: 98785-001 (Drawing No: 599)
Conversion Kit From HAS400 to HAS461

Part No:	Description:	Qty:
46946-000	Main Support Member	4
57456-000	Bracket – Lower Shock Assembly	4
57977-000	Height Control Valve	1
60675-003-L	Shock Absorber – High Torque	4
62007-365	Torque Rod – STR/STR 5/8" Holes 365	4
97079-489	Rod HCV 90deg 489mm	1
98732-015	Exhaust Silencer & Label	1
98758-001	Rebound Kit H/Duty	2

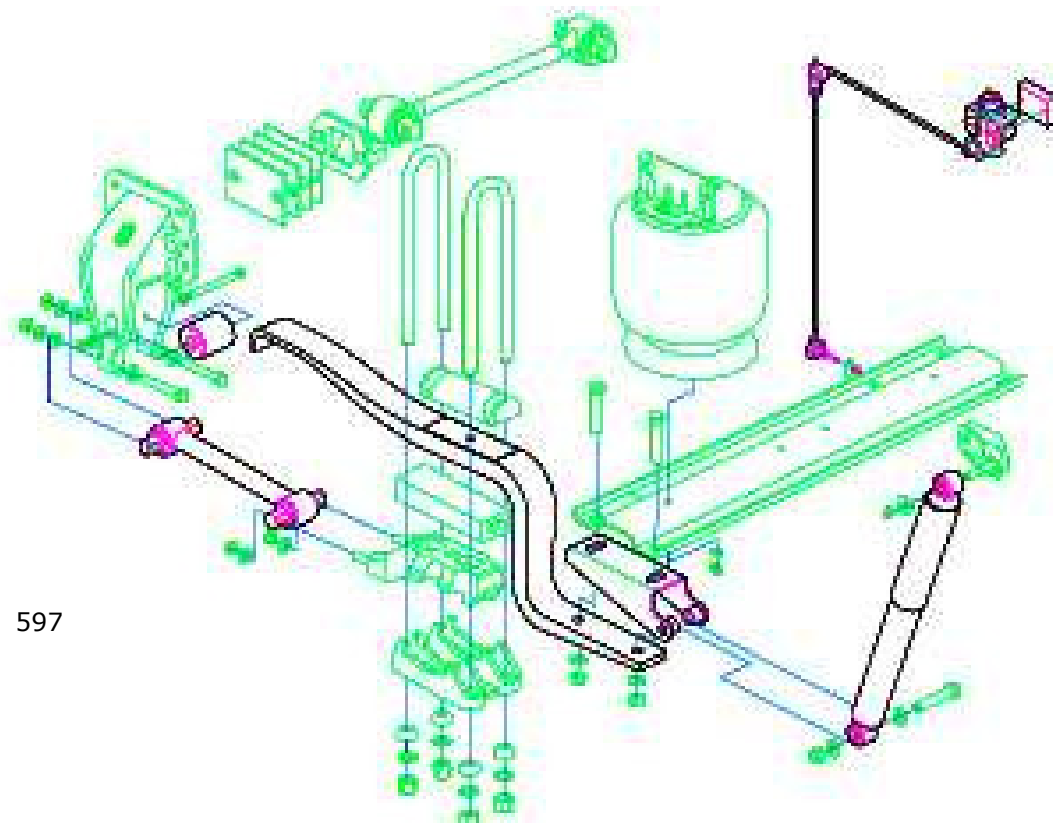
To Convert HAS460 to HAS461

Use Kit No: 98785-002 (Drawing No: 597)
Conversion Kit From HAS460 to HAS461

Part No:	Description:	Qty:
57977-000	Height Control Valve	1
60675-003-L	Shock Absorber – High Torque	4
62007-365	Torque Rod – STR/STR 5/8" Holes 365	4
97079-489	Rod HCV 90deg 489mm	1
98732-015	Exhaust Silencer & Label	1
98758-001	Rebound Kit H/Duty	2



599



597