

# TECHNICAL PROCEDURE

## INTRAAX® SUSPENSION SYSTEMS

**SUBJECT:** Rear Shock Tower Reinforcement  
Kit Instructions

**LIT NO:** L870

**DATE:** July 2004

This document focuses on the installation of the rear shock tower reinforcement kit on INTRAAX® AAL, AAEDL and AAEDT series suspensions equipped with the rear shock option. Before conducting any installation work:

- Read and understand Hendrickson publication L341, *INTRAAX® Installation Procedures* (available at [www.hendrickson-intl.com](http://www.hendrickson-intl.com)) for additional safety information.
- Read and understand all applicable work instructions and safety information provided by the trailer manufacturer.
- Park the trailer on a flat, level, debris-free surface.
- Set the trailer parking brakes.
- Chock the wheels of the trailer axles to prevent the trailer from moving.

The rear shock tower reinforcement kit (figure 1) consists of backing plates and longer mounting hardware required to fasten the backing plates and

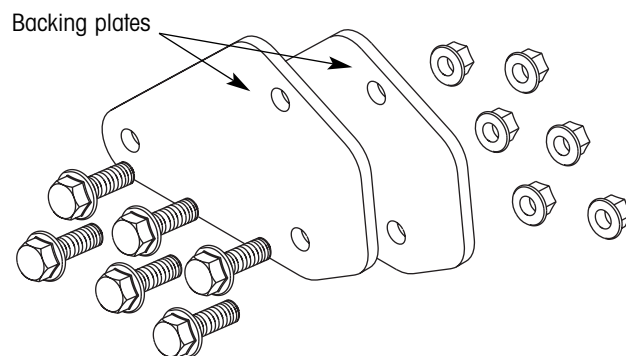


Figure 1. Rear shock tower reinforcement kit

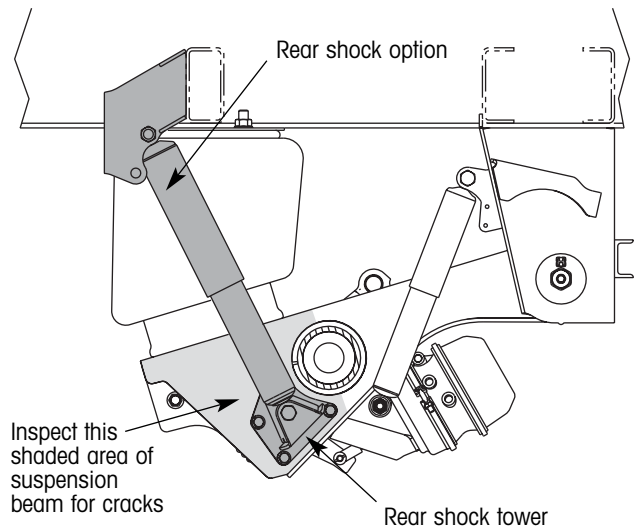


Figure 2. Inspect the suspension beam inboard surface

rear shock towers to the suspension beams. Before the reinforcement kit is installed, the suspension beam assemblies must be inspected for cracks. Refer to the following SUSPENSION BEAM INSPECTION PROCEDURE for complete inspection details. If suspension beam cracks are found, the rear shock tower reinforcement kit cannot be installed. Call the Hendrickson technical service department at 800-455-0043 in the United States or 800-668-5360 in Canada for further instruction.

### SUSPENSION BEAM INSPECTION PROCEDURE

1. Inspect the inboard surface of each suspension beam for cracks (figure 2). Pay close attention to the area behind the axle and in the vicinity of the rear shock tower (figure 2).

If no cracks are found, the reinforcement kit can be installed. Refer to the following REAR SHOCK TOWER REINFORCEMENT KIT INSTALLATION procedure for complete details.

If cracks are found, DO NOT install the reinforcement kit. Call the Hendrickson technical service department at 800-455-0043 in the United States or 800-668-5360 in Canada. They will help you determine what to do next.

## REAR SHOCK TOWER REINFORCEMENT KIT INSTALLATION

1. Remove and discard the lower three nuts and bolts holding the rear shock tower to the suspension beam (figure 3).
2. From inside the suspension beam, position the backing plate in place, aligning the holes in the plate with the holes in the beam (figure 4).
3. Install the longer bolts and nuts from the kit. Tighten to a torque of 100 - 110 ft. lbs. (136 - 149 N•m). Repeat the above steps on the other side of the suspension.

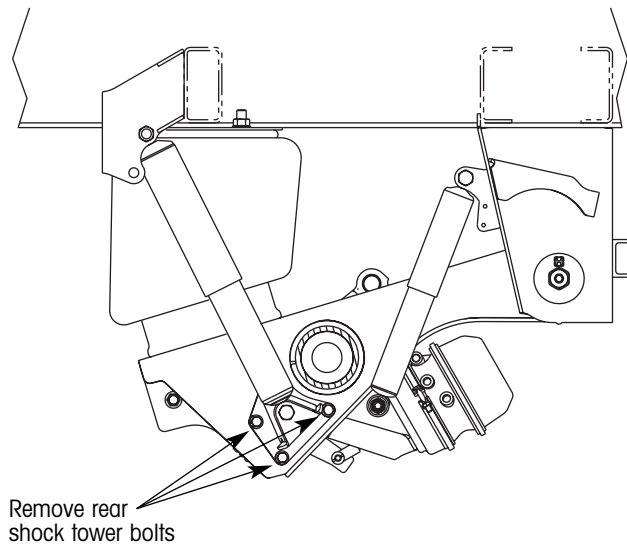


Figure 3. Rear shock tower mounting hardware removal

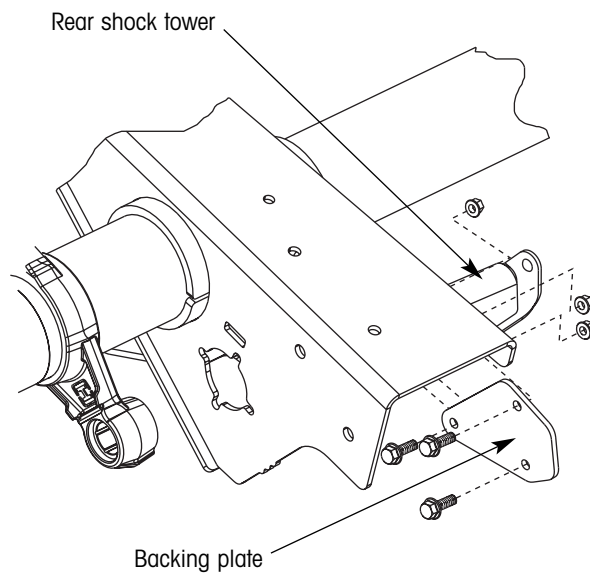


Figure 4. Reinforcement kit installation



Information contained in this literature was accurate at the time of publication. Product changes may have been made after the copyright date that are not reflected.

Trailer Suspension Systems  
2070 Industrial Place SE  
Canton, OH 44707-2600 USA

866.RIDEAIR (866.743.3247)  
330.489.0045  
Fax 800.696.4416

[www.hendrickson-intl.com](http://www.hendrickson-intl.com)