



TRAILER AIR SUSPENSIONS

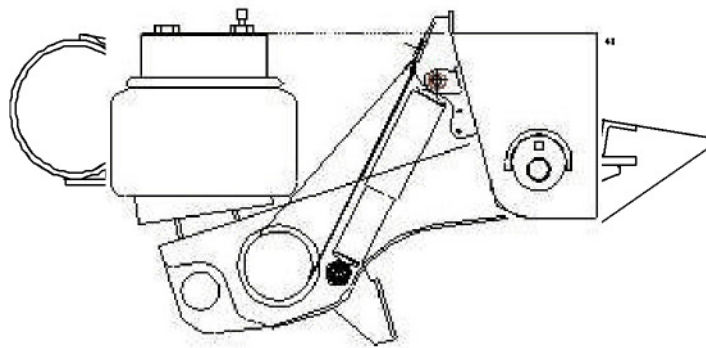
H TECHNICAL BULLETIN

This document Replaces
Trailer AUS 010 and 49441-182

No: 97117-174

Subject: *Intraax Axle Restraint*

Date: August 1998 **Revision:** B



As part of our continuous product improvement program.

Hendrickson has released an *Intraax axle restraining system (98918-002)* to alleviate isolated reported concerns

Part number 98918-002 consists of;
2 x Brackets 2 x Restraint Straps
2 x Bolts 2 x Lock nuts
4 x Washers 1 x Instructions

These restraints are suitable for applications where operation are such that the axle is lifted off the ground

The fitting of this kit is a recommended option.

Installation instructions included in the kit are comprehensive and must be adhered to for optimum performance.

The restraining system is also available as an option on all Intraax suspensions.

If any further installation detail or assistance is required, contact the Hendrickson Customer Service Department on (03) 9767 3400 or an authorised repairer on 1300 130 960

WARNING:
HENDRICKSON REMINDS USERS TO ADHERE TO THE PUBLISHED CAPACITY RATINGS FOR SUSPENSIONS.

USE OF MODIFIED OR SUBSTITUTE PARTS IS NOT RECOMMENDED BECAUSE THE PART MAY NOT MEET HENDRICKSON'S SPECIFICATIONS, WHICH COULD LEAD TO FAILURE OF THE PART, LOSS OF VEHICLE CONTROL AND POSSIBLE PERSONAL INJURY AND/OR DAMAGE TO PROPERTY.

This bulletin contains product improvement information only. Hendrickson is not committed or liable for canvassing existing product