



TRAILER AIR SUSPENSIONS

H TECHNICAL BULLETIN

No: 97117-151
Subject: *Identification Guide*
Date: March 2007 Revision: B

HOW TO IDENTIFY A SUSPENSION

In order to assist in identifying a particular suspension. Hendrickson wish to advise that the following steps should be taken

STEP 1

Find the identification tag on Left Hand trailing arm of the suspension



Fig. 1

STEP 2.

If no suspension model can be obtained by completing step 1, refer to the following pages to help determine what suspension model is on the trailer.

STEP 3.

If no tag is found, contact the trailer manufacturer and quote the VIN number of the trailer.

AXLE BUILD DETAILS

There is a second tag on the Intraax Series of axles and this tag gives information as to what specification the axle was assembled to.

This information can be useful in determining Brake, Hubs and Drum details.

This tag differs from the one above as it is oblong in shape and is fitted on the Right Hand trailing arm to the one shown in fig. 1.s

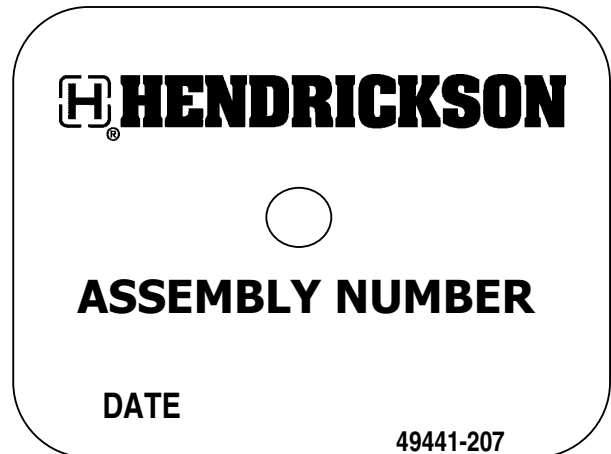
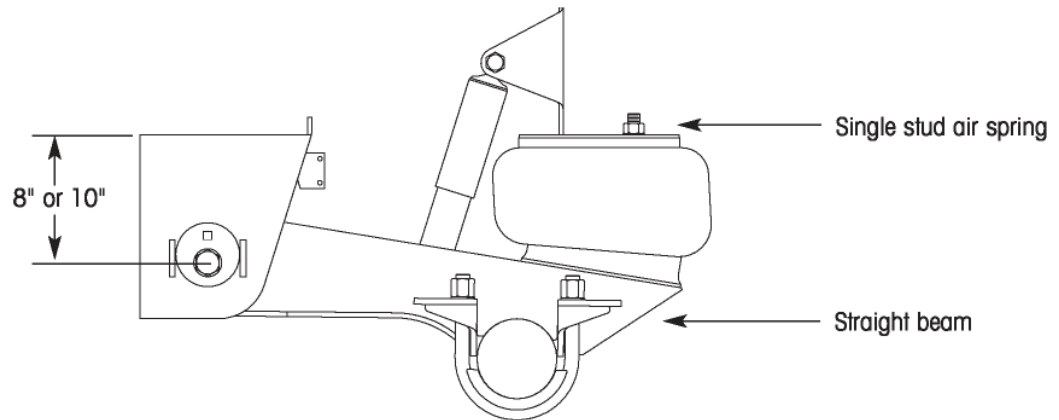


Fig. 2

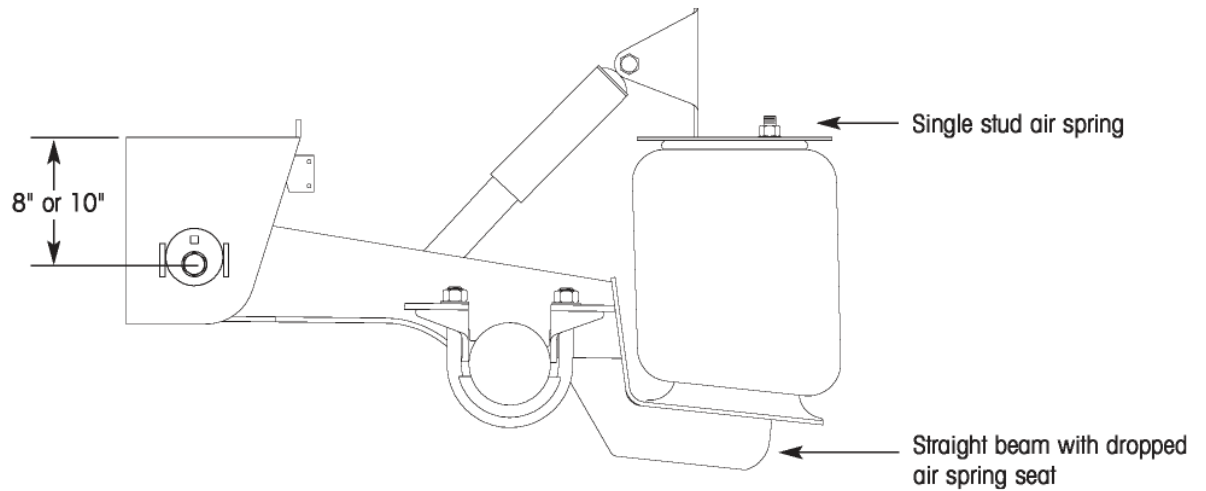
TOP MOUNT SUSPENSIONS

Top mount suspensions are those with the beam assembly on top of the axle. The illustrations show the distinguishing characteristics of the various Hendrickson top mount suspensions. In order to determine the suspension model, find the illustration with the same identifying characteristics.

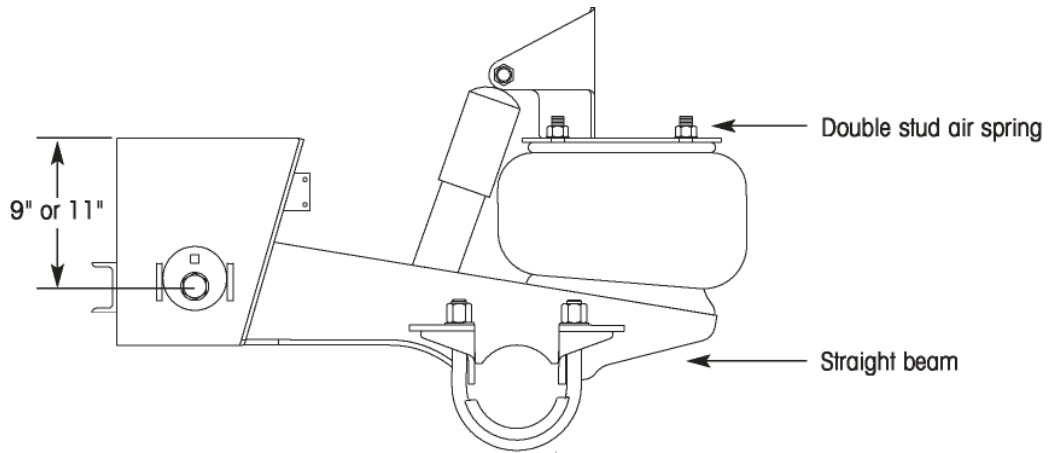
HT 230 TOP MOUNT



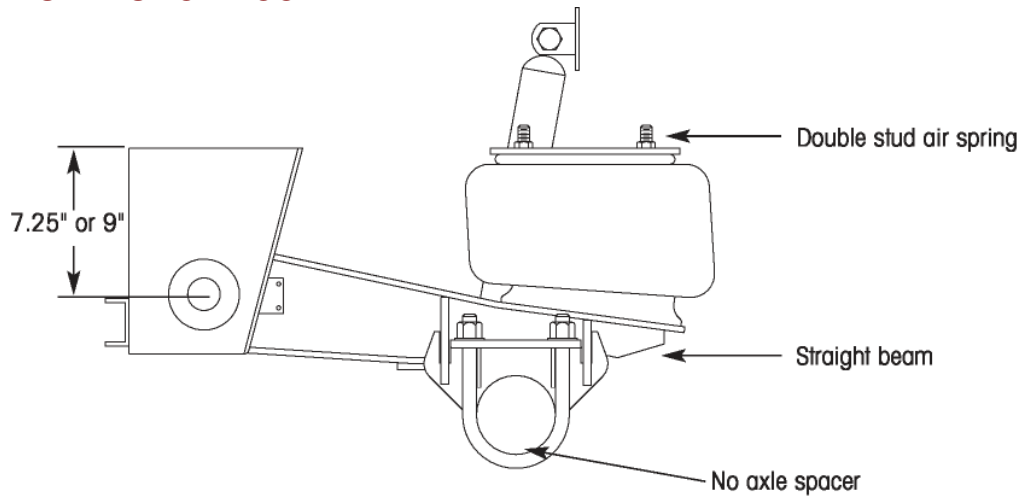
HT 250 TOP MOUNT



HT 300 TOP MOUNT



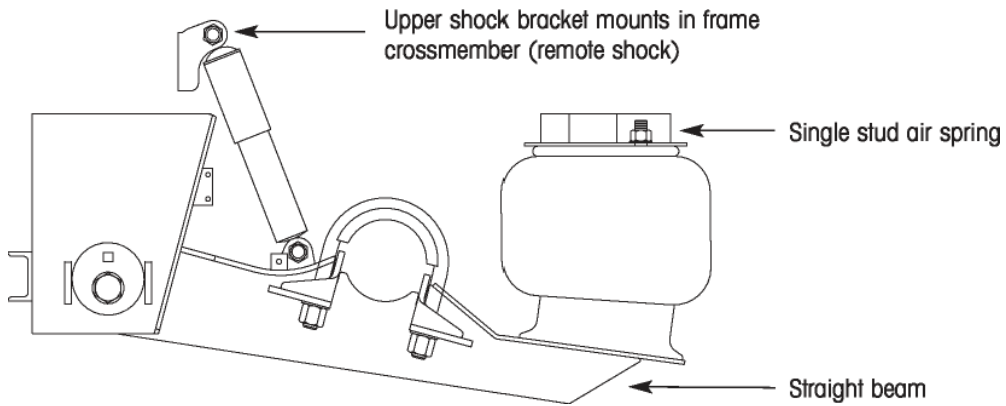
T SERIES TOP MOUNT



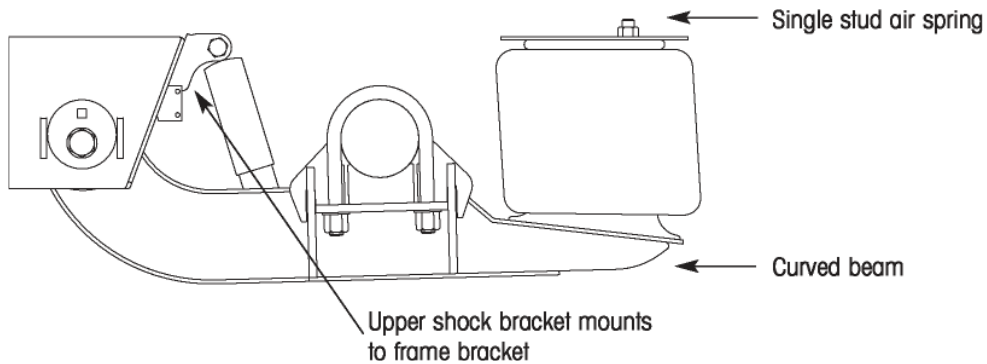
UNDERSLUNG SUSPENSIONS

Underslung suspensions are those with the beam assembly under the axle. The illustrations show the distinguishing characteristics of the various Hendrickson underslung suspensions. In order to determine the suspension model, find the illustration with the same identifying characteristics

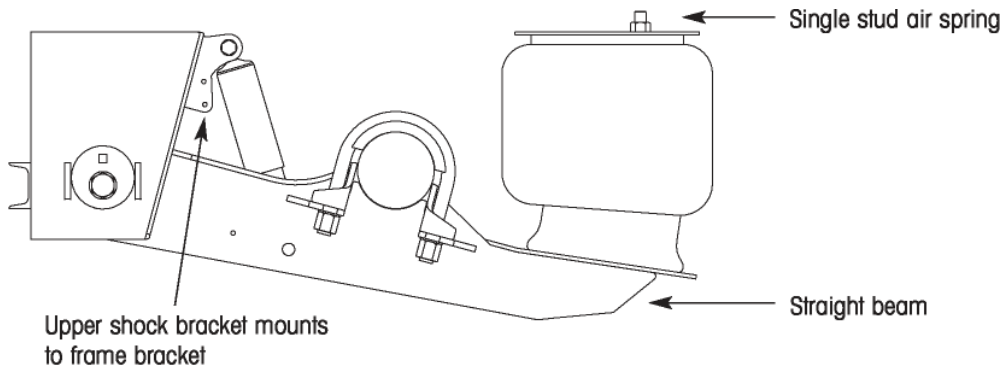
HT 190U UNDERSLUNG



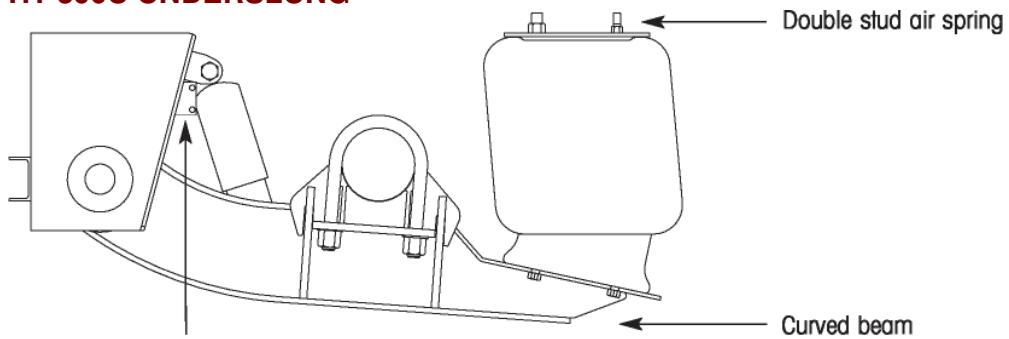
HT 250U UNDERSLUNG



HT 250US UNDERSLUNG

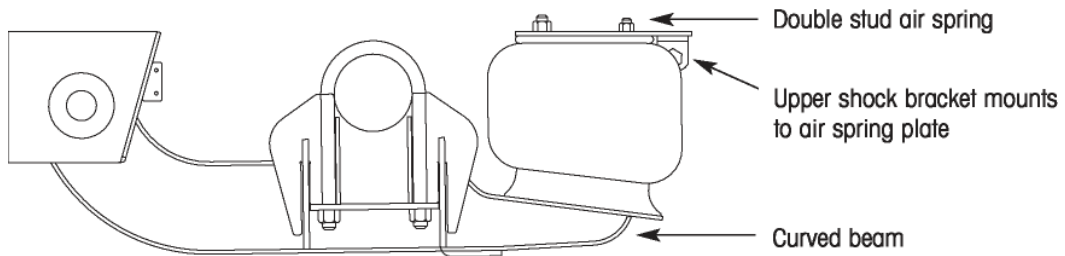


HT 300U UNDERSLUNG



T SERIES UNDERSLUNG

Upper shock bracket mounts to frame bracket

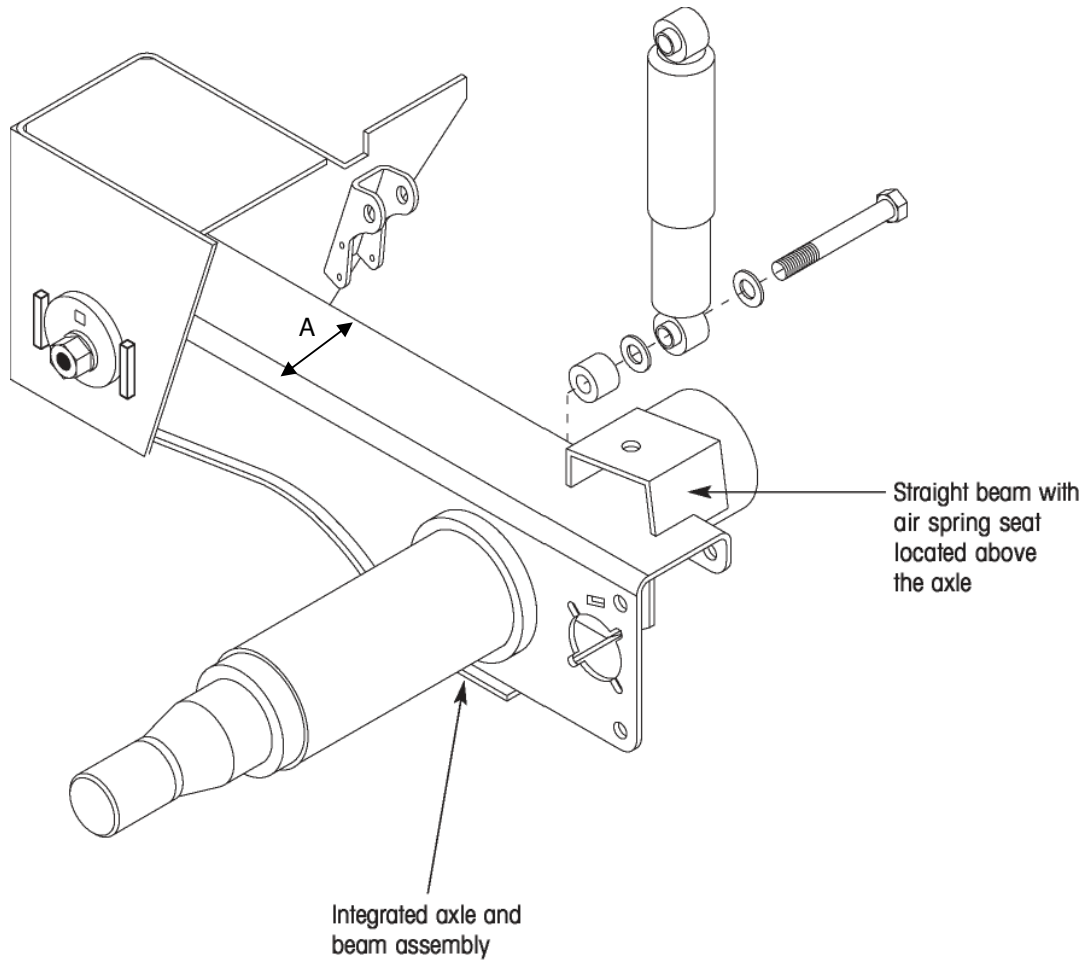


INTRAAX[®] SUSPENSIONS

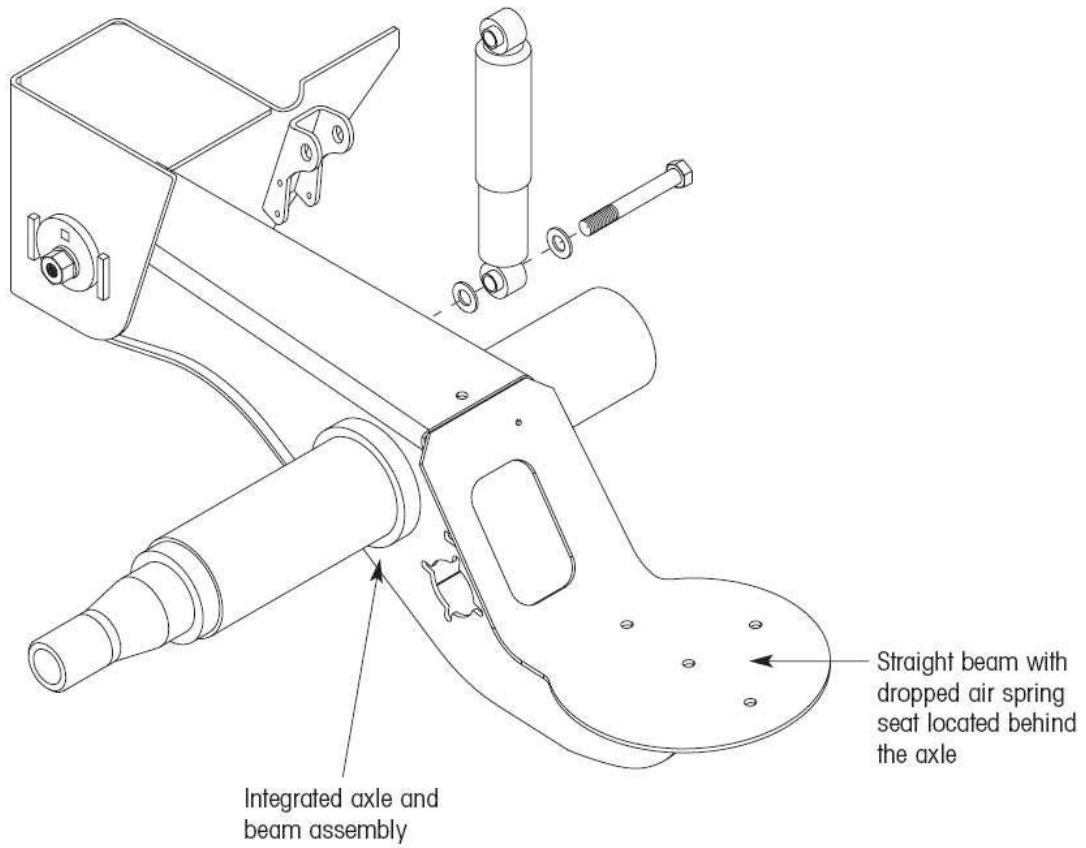
Hendrickson's INTRAAX[®] suspensions have an integrated axle and beam assembly. The illustrations show the distinguishing characteristics of the top mount and low ride models. In order to determine the suspension model, find the illustration with the same identifying characteristics.

AA230T/AA250T INTRAAX[®] "A" = 150mm wide

AANT230 INTRAAX[®] "A" = 75mm wide



AA230L/AA250L INTRAAX[®]



NOTES

Enter the data from your axles here for future reference

Complied from data contained in USA L726 reflecting suspensions in the Asia Pacific Region
Updated by: K Thomas 26/03/2007

THE BOLER COMPANY
COPYRIGHT ©2007
HENDRICKSON ASIA PACIFIC PTY LTD
ALL RIGHTS RESERVED



ABN 21 004 992 769
5 Abbots Road, P.O. Box 1063, Dandenong, Victoria 3175
Australia
Phone 61.3.9767.3400 Fax 61.3.9767.3495
www.hendrickson.com.au