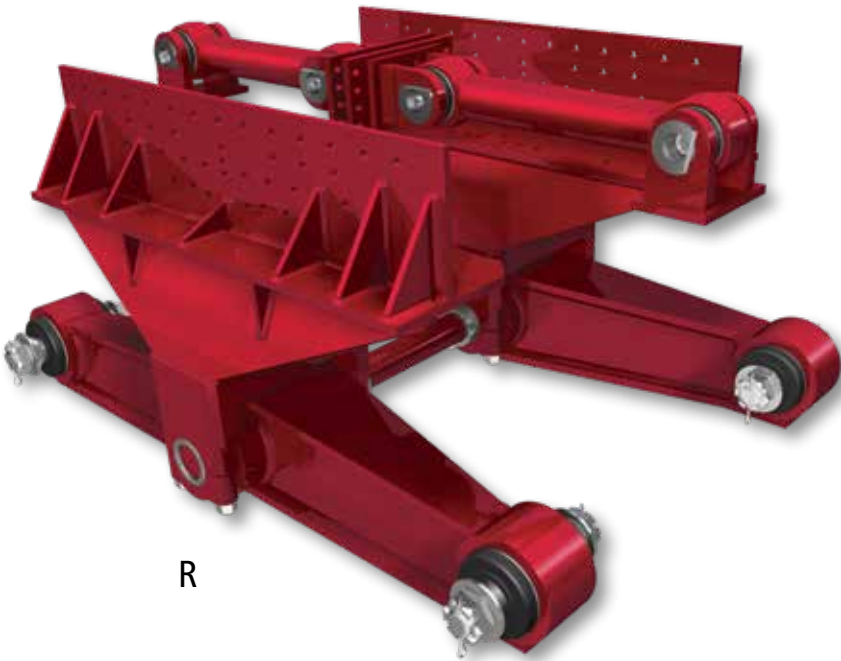
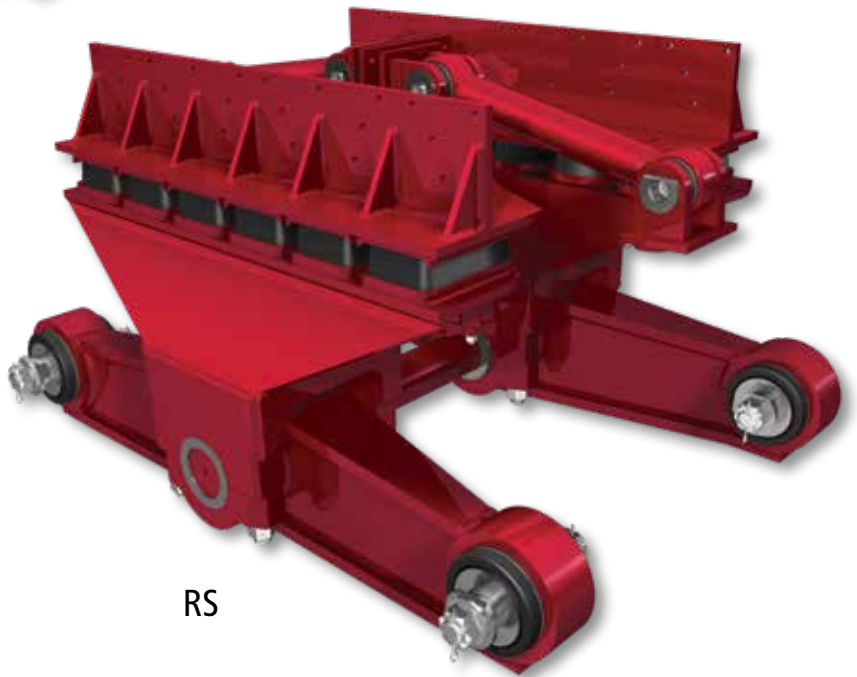


- Maximum durability and stability in heavy-duty applications



R



RS

To learn more about R and RS,  
call 855.743.3733 or visit  
[www.hendrickson-intl.com](http://www.hendrickson-intl.com)



For heavy-duty applications where maximum stability is essential

#### Hendrickson Rods

- Transverse rods improve cornering by controlling lateral forces
- Longitudinal rods engineered to optimize resistance to wind up during acceleration and braking

#### Frame Hangers

- High strength steel hangers are engineered for maximum durability in heavy-duty applications

#### Equalizing Beam

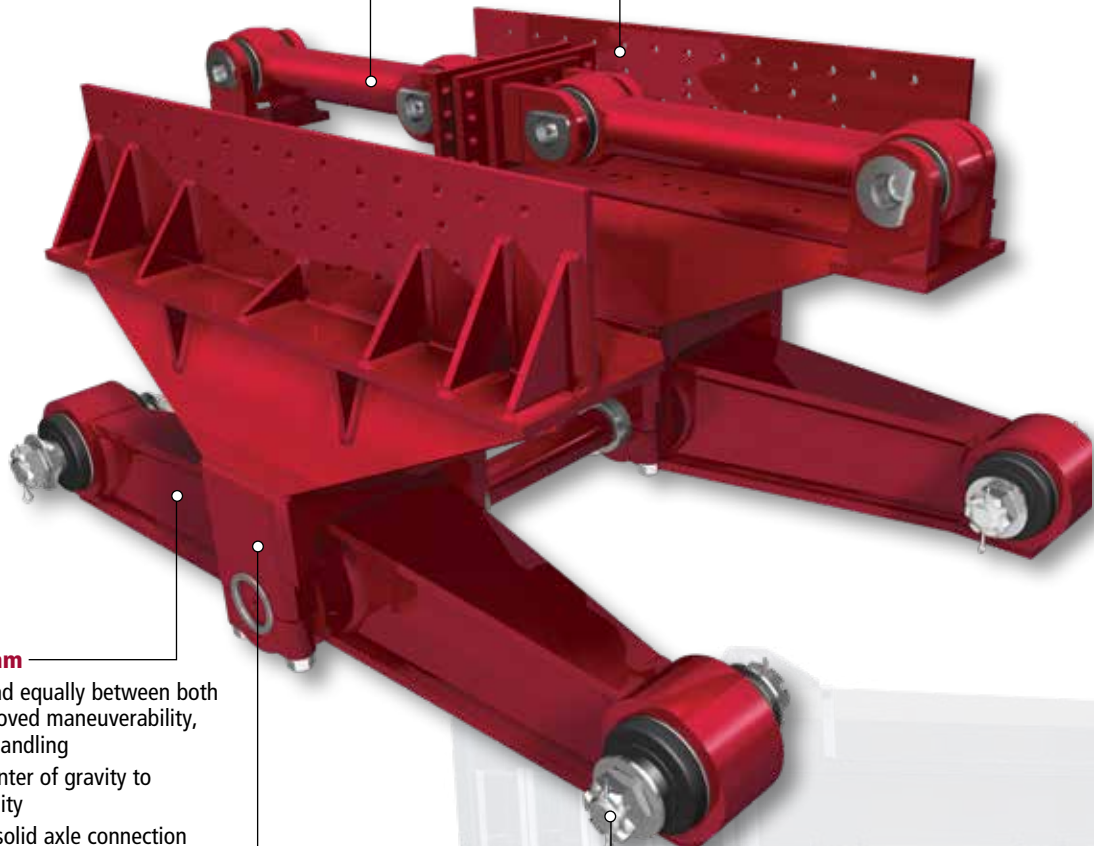
- Distributes load equally between both axles for improved maneuverability, stability and handling
- Lowers the center of gravity to increase stability
- Establishes a solid axle connection for improved handling

#### Saddle

- The durable steel saddles are designed for optimum performance in heavy-duty applications and are lightweight for increased payload

#### Bar Pin End Connection

- Rugged axle connection extends bushing life and allows easy axle alignment and serviceability





## Protection you need in a heavy-duty suspension

### Frame Hangers

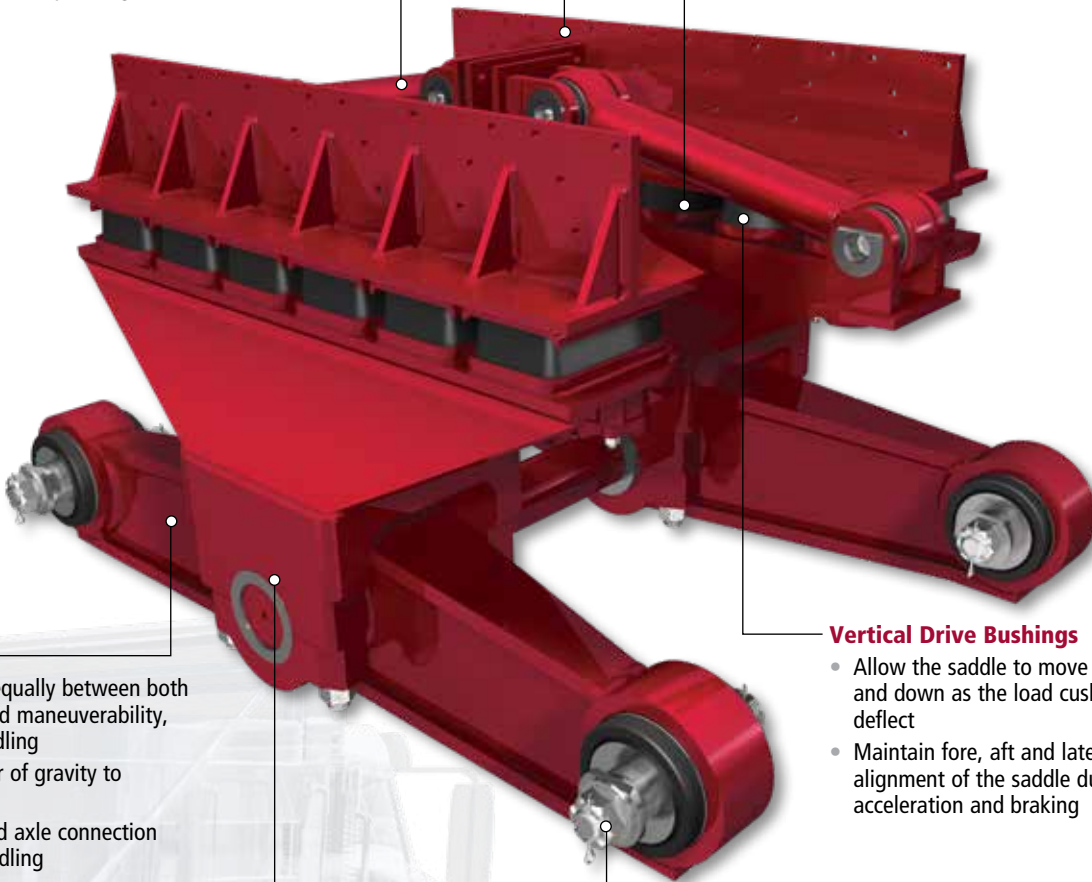
- High strength steel hangers are engineered for maximum durability in heavy-duty applications

### Hendrickson Rods

- Transverse rods improve cornering by controlling lateral forces
- Longitudinal rods engineered to optimize resistance to wind up during acceleration and braking

### Load Cushions

- Unique internal ribs deflect to absorb road shocks when vehicle is empty, but compress and stiffen under load to provide stability when needed most
- Standard on 52,000 pound capacity suspensions, optional on lower capacities for additional stability



### Equalizing Beam

- Distributes load equally between both axles for improved maneuverability, stability and handling
- Lowers the center of gravity to increase stability
- Establishes a solid axle connection for improved handling

### Saddle

- Ductile iron saddle for increased durability in heavy-duty applications

### Vertical Drive Pin

- Incorporated into hangers, extend down through the load cushions and are secured to the vertical drive bushings

### Vertical Drive Bushings

- Allow the saddle to move up and down as the load cushions deflect
- Maintain fore, aft and lateral alignment of the saddle during acceleration and braking

### Bar Pin End Connection

- Rugged axle connection extends bushing life and allows easy axle alignment and serviceability

# R™ and RS™ Specifications

Suspension Capacity <sup>1</sup> (lbs.)	Installed Weight <sup>2</sup> (lbs.)	Gross Vehicle Weight Approval <sup>3</sup> (lbs.)	Gross Combination Weight Approval (lbs.)	Site Travel Rating <sup>4</sup> (lbs.)	Axle Spacing <sup>1</sup> (in.)
<b>R SUSPENSIONS</b>					
40,000	903	73,000	160,000	55,000	52, 54, 56, 60, 72.5
46,000	930	80,000	190,000	60,000	52, 54, 56, 60, 72.5
50,000	1,047	80,000	225,000	65,000	52, 54, 56, 60, 72.5
52,000	1,110	80,000	245,000	65,000	52, 54, 56, 60, 72.5
<b>RS SUSPENSIONS</b>					
40,000	1,250	73,000	160,000	55,000	52, 54, 56, 60, 72.5
46,000	1,306	80,000	190,000	60,000	52, 54, 56, 60, 72.5
50,000	1,395	80,000	225,000	65,000	52, 54, 56, 60, 72.5
52,000	1,445	80,000	245,000	65,000	52, 54, 56, 60, 72.5

1. The R and RS are available in capacities as high as 120,000 lbs. For higher capacities, refer to Hendrickson literature No. 45745-015. Contact Hendrickson for availability of additional capacities and axle spacing.
2. Installed weight includes complete suspension, torque rods, axle brackets and frame brackets at 54 inch axle spacing.
3. Contact Hendrickson for applications that may exceed Gross Vehicle Weight approval rating.
4. Site Travel Rating – operations using vehicles equipped with liftable pusher or tag axles must not exceed published ratings. Ratings are limited to no more than five percent of vehicle operation at a speed not to exceed five mph. Liftable pusher or tag axles should only be raised (or unloaded) to improve vehicle maneuverability in off-road use or when vehicle is empty. Site ratings are consistent with published axle manufacturer's limitations. Axle and suspension site travel specifications must not be exceeded.
5. For transverse torque rod requirements refer to Hendrickson literature No. 59310-004 and 59310-058.
6. Articulation can vary due to axle stop position.

All applications must comply with applicable Hendrickson specifications and be approved by the respective vehicle manufacturer with the vehicle in its original, as-built configuration. Contact Hendrickson and the respective vehicle manufacturer for approval of specific applications.

For additional details regarding specifications, applications, capacities, and operating, service and maintenance instructions, refer to applicable Hendrickson technical literature (available at [www.hendrickson-intl.com](http://www.hendrickson-intl.com)) or contact Hendrickson at 855.743.3733.

**Hendrickson Genuine Parts** are the same quality components installed in Hendrickson original equipment suspensions — consisting of the same design, construction, performance and durability. There's only one way to maintain and protect your suspension's original performance. Ask for the name that is synonymous with the finest manufactured suspensions in the world.

*Actual product performance may vary depending upon vehicle configuration, operation, service and other factors.*

Call Hendrickson at **630.910.2800** or **855.RIDERED (743.3733)** for additional information.



**TRUCK COMMERCIAL VEHICLE SYSTEMS**  
 800 South Frontage Road  
 Woodridge, IL 60517-4904 USA  
 855.RIDERED (743.3733)  
 630.910.2800 • Fax 630.910.2899

[www.hendrickson-intl.com](http://www.hendrickson-intl.com)

45745-285 Rev B 02-19

© 2007 - 2019 Hendrickson USA, L.L.C. All Rights Reserved. All trademarks shown are owned by Hendrickson USA, L.L.C., or one of its affiliates, in one or more countries. Information contained in this literature was accurate at the time of publication. Product changes may have been made after the copyright date that are not reflected.

Printed in United States of America