

ASSEMBLY INSTRUCTIONS

HAS INBOARD SHOCK KIT

NO: 59310-005

DATE: January, 1999 REVISION: A

INTRODUCTION

Hendrickson inboard shock option is ideal for operators requiring greater rear suspension clearance in applications such as dump trucks used in paving operations or other vocational applications that may require a minimal amount of rear frame length or suspension overhand.

This kit is available for the HAS-400, 402, and 460 Series suspensions. This kit is not designed for on highway only applications with the HAS-40LH Series. Kit includes: one crosschannel, two upper shock brackets, two shock absorbers, and a fastener kit.

INSTRUCTIONS

Disassembly:

1. Chock wheels.
2. Support axle with jack stand.
3. Dump air pressure from air springs.
4. Remove the lower mounting nuts on the air spring.
5. Remove fasteners from air spring frame hanger and remove air spring from frame.

NOTE

If the height control valve is located at the rear axle or it is a single axle it is necessary to disconnect the bottom of the leveling valve rod.

6. Remove rear shocks.
7. Remove the cross channel fastener bolts and slide out the lower shock brackets and remove cross channel.
8. Remove the upper shock brackets from the frame.

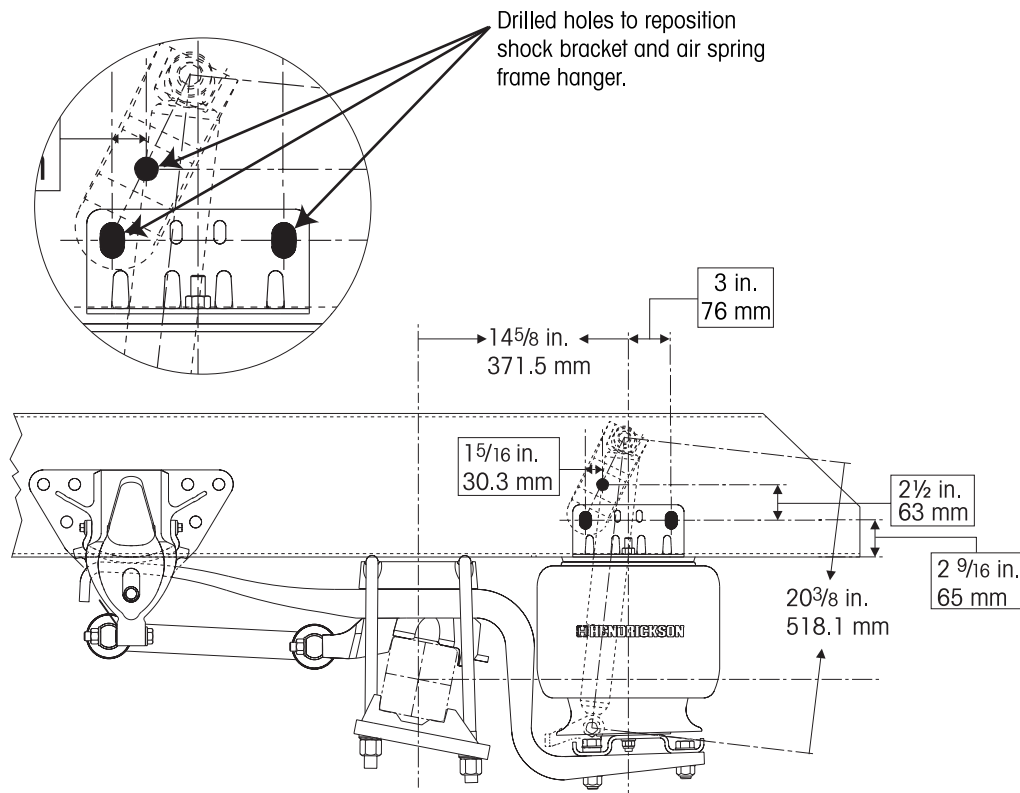
Assembly:

1. Drill two $1\frac{3}{16}$ " (19.8 mm) dia. holes to relocate air spring assembly $\frac{5}{8}$ " (15.8 mm) forward of current location on both sides of frame. Reference $14\frac{5}{8}$ " (371.5 mm) dimension on Figure 1.
2. Drill a $1\frac{3}{16}$ " (19.8 mm) dia. hole in the frame for the inboard upper shock bracket on both sides of the vehicle. This hole must be $2\frac{1}{2}$ " (63 mm) above and $1\frac{5}{16}$ " (30.3 mm) behind the forward air spring mounting hole, see Figure 1.
3. Install the new cross channel/inboard lower shock bracket assembly and shocks. For proper kit part no. see matrix on the back of this publication or contact your Hendrickson Sales Engineering Group.
4. Reinstall the four cross channel fasteners bolts and torque to 250 to 320 ft. lbs. Reconnect the lower air spring studs, 20-30 ft. lbs.

For The Road Ahead

 **HENDRICKSON**

INSTRUCTIONS
(CONT.)



5. Install the inboard upper shock bracket on frame. Follow torque specifications listed in vehicle manufacturer's service manual.
6. Reassemble shock absorbers. Washers must be installed at both sides of each shock bushing, that is four (4) washers per shock.
7. Assemble shock bolts, washers and locknuts. Tighten locknuts to 50 to 70 ft. lbs. torque.
8. If the height control valve is located at the rear axle reconnect the bottom end of the leveling valve rod to the new mount bracket on cross channel.
9. Remove the jack stands and air up suspension system. Remove chocks.
10. Adjust ride height, see the Preventative Maintenance Section of Technical Publication 17730-212 for the correct procedure for setting proper ride height.

HAS Inboard Shock Kit Selection Guide		
Mounting Kit No.	Main Support Member Mounting Center	
57784-001	40"	1016.0 mm
57784-002	40 1/4"	1022.4 mm
57784-003	40 1/2"	1028.7 mm
57784-004	40 5/8"	1031.9 mm

