



HT230T SERIES

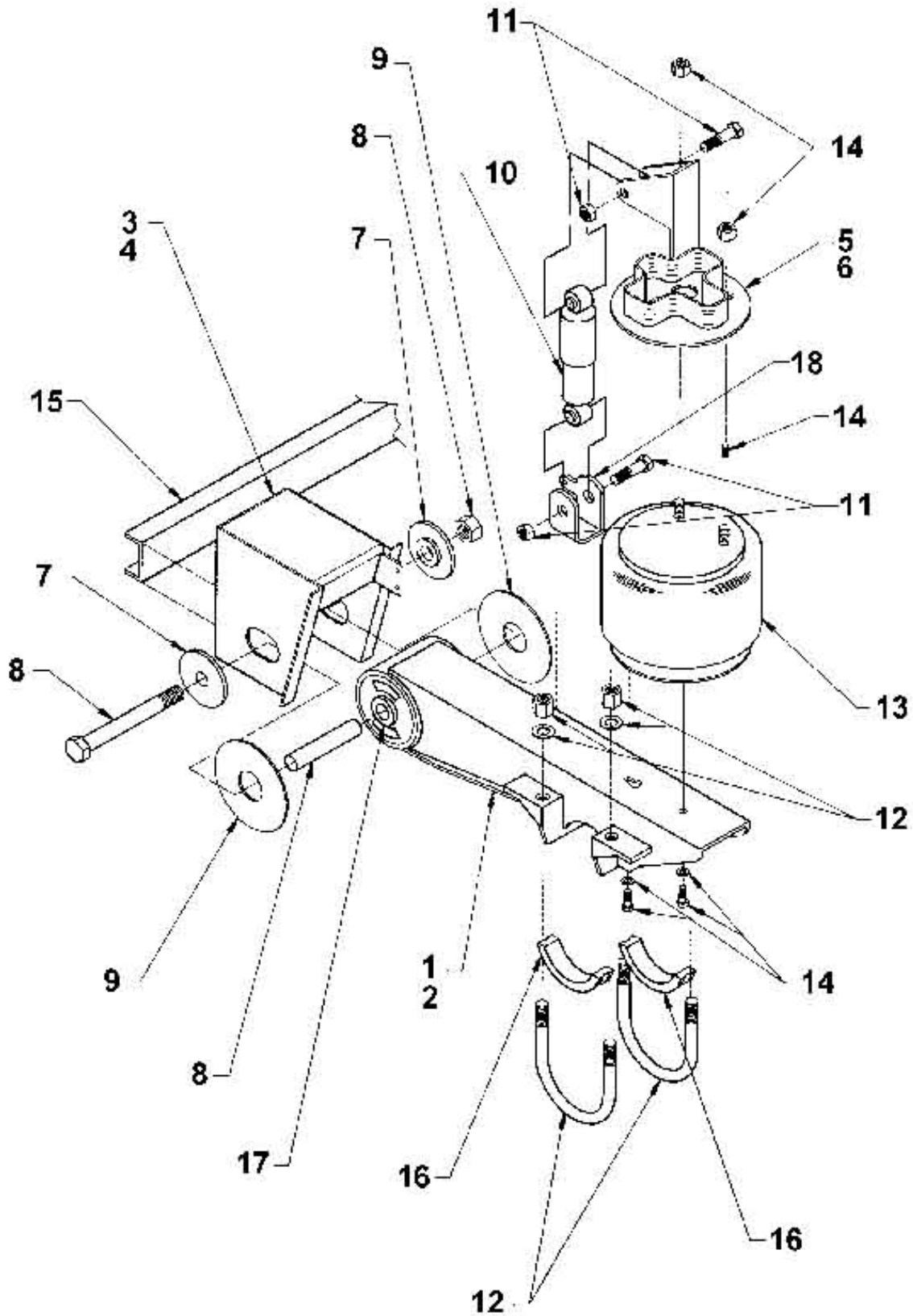
H PARTS LIST

No: 97114-063
Subject: HT230TA15-522
Date: December 2009 Revision: A



INDEX	PAGE
Exploded View	2
Parts Listing	3

Information contained in this literature was accurate at the time of publication, Product changes may have been made after the publication date that are not reflected here



Information contained in this literature was accurate at the time of publication. Product changes may have been made after the publication date that are not reflected here



Item	Part Number	Description	Qty	Notes
1	S-27614-1	Beam Assembly L/H	1	
2	S-27614-2	Beam Assembly R/H	1	
3	D-21179-1	Frame Bracket Assy L/H	1	Quik Align Only
4	D-21179-2	Frame Bracket Assy R/H	1	Quik Align Only
5	S-21257-1	Upper Shock Mount/Spacer L/H	1	
6	S-21257-2	Upper Shock Mount/Spacer R/H	1	
7	B-2770-2P	Alignment Washers	1	Welded Alignment Only
7	C-20924	Washer - Inner	2	Quik Align Style Only
7	C-20925	Eccentric Washer - Outer	2	Quik Align Style Only
8	S-3646	Pivot Bolt Kit	2	Welded Alignment
8	S-24679	Pivot Bolt Kit	2	Quik Align Style Only
9	S-21099	Wear Washer	4	
10	S-20889	Shock Absorber	2	
11	A-20031	Shock Bolt Kit	1	Upper & Lower
12	S-21140	U'Bolt Kit	1	Includes Item 12, 12b, 12c
12b	NSS	Washer	4	
12c	NSS	Nut	4	
13	S-21208	Air Spring	2	
14a	S-22630	Air Spring Mounting & Fitting Kit	1	
15	A-1631-19	Cross Channel	1	
16		U'Bolt Spacer	4	Not Serviced – Use Item 12
17	A-6914	Tri Functional Bush Kit	2	Welded Alignment
17	S-24691	Tri Functional Bush Kit	2	Quik Align Style Only
18	C-20069	Lower Shock Clevis	2	

Information contained in this literature was accurate at the time of publication. Product changes may have been made after the publication date that are not reflected here

