



TECHNICAL BULLETIN

HT SUSPENSION WEDGE SPACER KIT

LIT NO: 49441-090

DATE: September 2019

REVISION: 02

DESCRIPTION

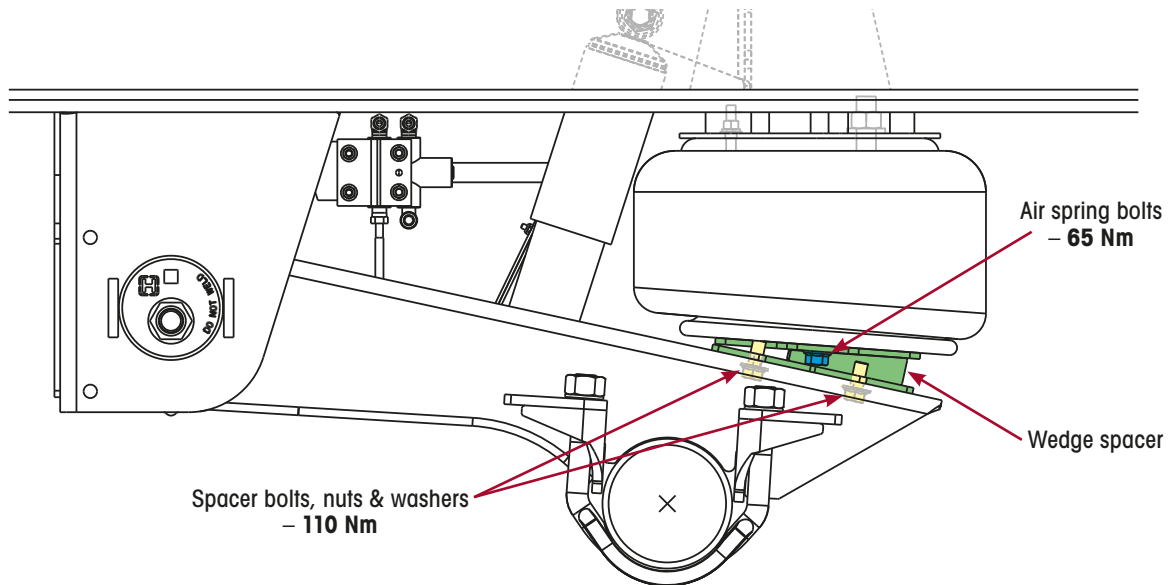


Figure 1 – Installed Air Spring Wedge

The 98722-001 wedge kit may be fitted to HT230 trailer air suspensions, but typically only with 15 and 19 inch ride heights. Before installation, checks must be made to ensure jounce is not adversely affected and, if it is for a lift axle, that there will still be sufficient axle lift. Refer to the Hendrickson *HT Series Installation Guide* for further suspension installation details.

98722-001 WEDGE SPACER KIT CONTAINS:

- 2 x 98628-003 Wedge Spacers
- 1 x 98111-026 Wedge Spacer Hardware Kit

The wedge spacer hardware kit contains:

- 8 x Bolt 1/2"-13 x 1.25" 2 for each air spring & 2 for each wedge spacer
- 4 x Spring Washer 1/2" 2 for each wedge spacer
- 8 x Flat Washer 1/2" 4 for each wedge spacer
- 4 x Prevailing Torque Nut 1/2"-13 UNC 2 for each wedge spacer

INSTALLATION PROCEDURE

1. Chock the trailer wheels and support the trailer frame with appropriate stands.
2. Exhaust all air from the air springs.
3. Remove the air spring mounting bolts from the base of the air spring.

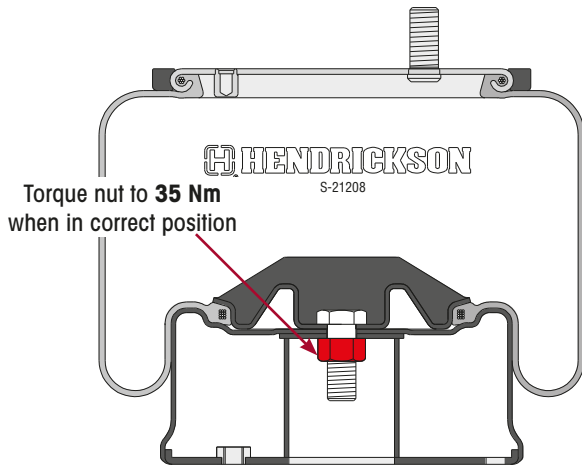


Figure 2 – Loosen Nut to Rotate Piston

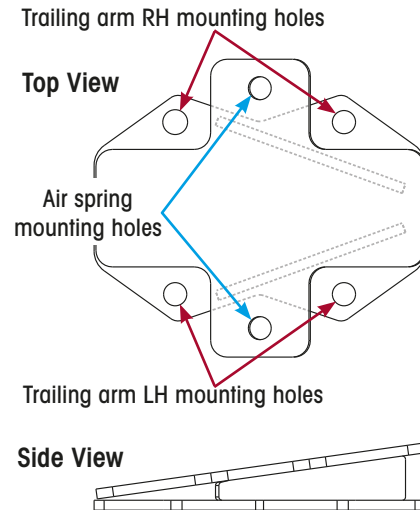


Figure 3 – Wedge Spacer

4. Loosen the air spring piston retaining nut to allow rotation of the air spring about the piston. Refer **Figure 2**.
5. Rotate the piston relative to the air spring so that the piston to trailing arm mounting holes align with the wedge spacer air spring mounting holes. These are the holes on the top surface of the wedge. Refer **Figure 3**.
6. Once the air spring is aligned tighten the piston retaining nut to **35 Nm**.
7. Attach the wedge spacer to the air spring piston and tighten to **65 Nm**.
8. Attach spacer to the trailing arm with bolts, nuts and washers from the hardware kit and tighten to **110 Nm**.
9. Reconnect trailer air supply.
10. Remove trailer frame support stands and wheel chocks.
11. Check and adjust, if necessary, trailer ride height.

IMPORTANT: Ensure that the left hand mounting holes of the wedge spacer are only installed onto left hand trailing arms, and the wedge spacer right hand mounting holes are only installed onto right hand trailing arms.

Revisions Table

| DATE | REV | PAGE | DESCRIPTION |
|----------|-----|------|-----------------------------|
| Sep-2019 | 02 | All | Update document, ECN 11614. |
| | | | |
| | | | |
| | | | |

Actual product performance may vary depending upon vehicle configuration, operation, service and other factors. All applications must comply with applicable Hendrickson specifications and must be approved by the respective vehicle manufacturer with the vehicle in its original, as-built configuration. Contact Hendrickson for additional details regarding specifications, applications, capacities, and operation, service and maintenance instructions.

Need Help? Call 03 8792 3600 or Email customerservice@hendrickson.com.au



www.hendrickson.com.au

HENDRICKSON ASIA PACIFIC PTY LTD
 ABN 21 004 992 769
 32- 44 Letcon Drive, P.O. Box 1063
 Dandenong, Victoria, 3175
 61.3.8792.3600 • Fax 61.3.8792.3699

HENDRICKSON NEW ZEALAND
 Unit P, 24 Allright Place
 Mt Wellington, Auckland, 1060
 64.9.570.4721 • Fax 64.9.570.4816