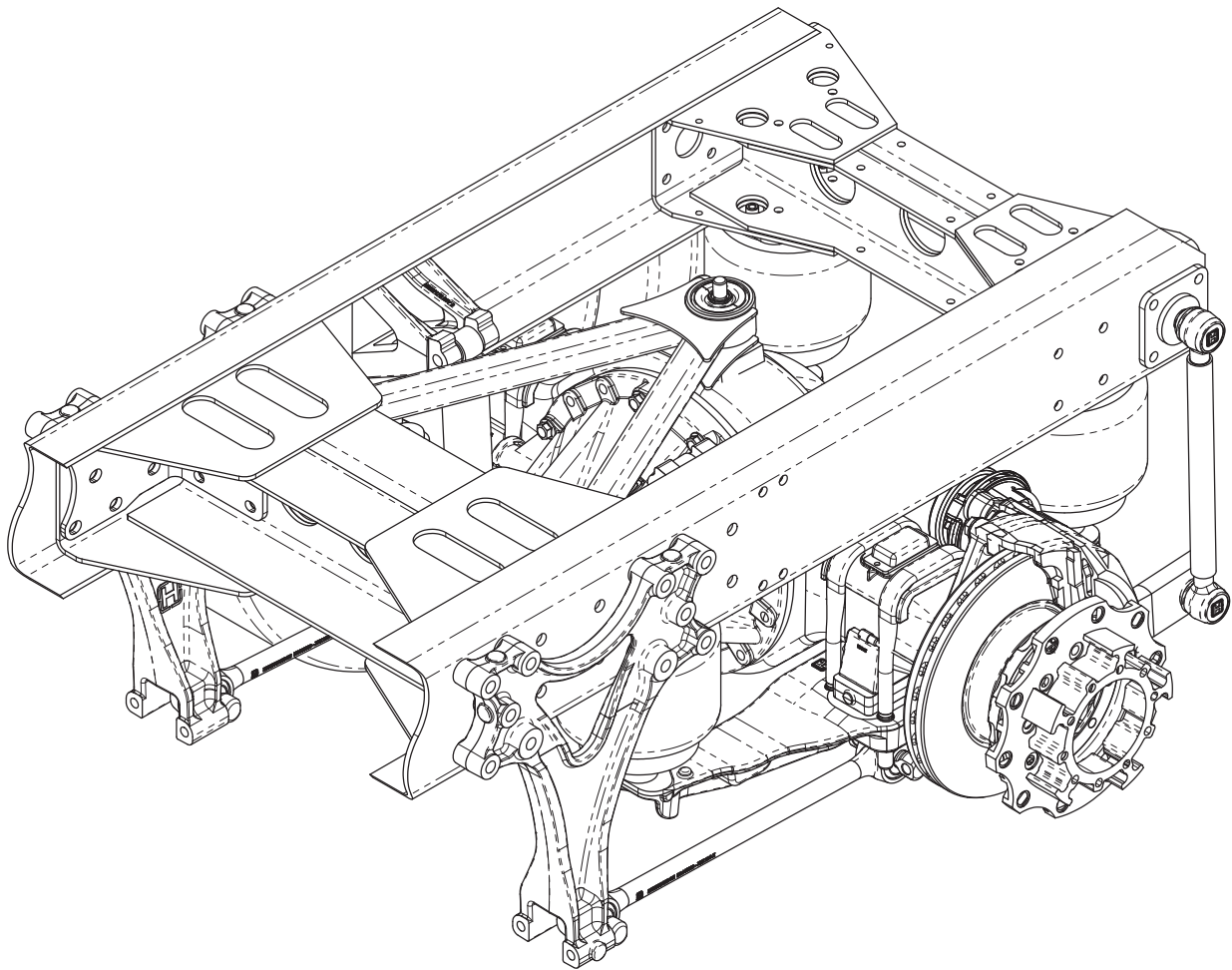


# **PARTS LIST** HA4™ DENNIS EAGLE

LIT NO: 97114-082

DATE: December 2017

REVISION: B



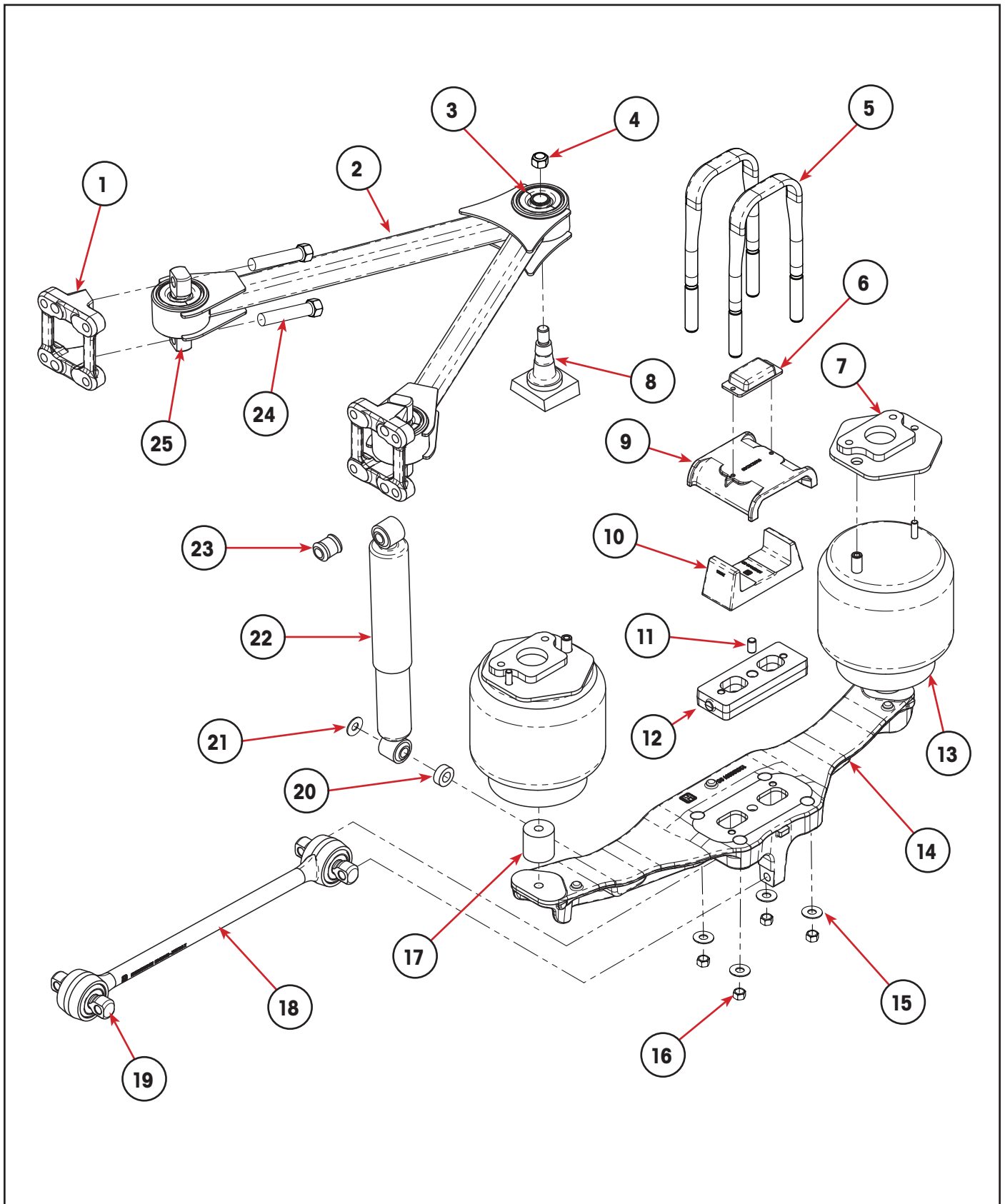
## INTRODUCTION

The HA4™ suspension system is a single axle, four air spring suspension system for medium and heavy-duty truck applications. This parts listing is in support of the HA4 as fitted to Dennis Eagle trucks.

**NOTE:** Component quantities shown in this listing is per vehicle.



CONTROL ARM, SPRINGS & BEAM ASSEMBLY

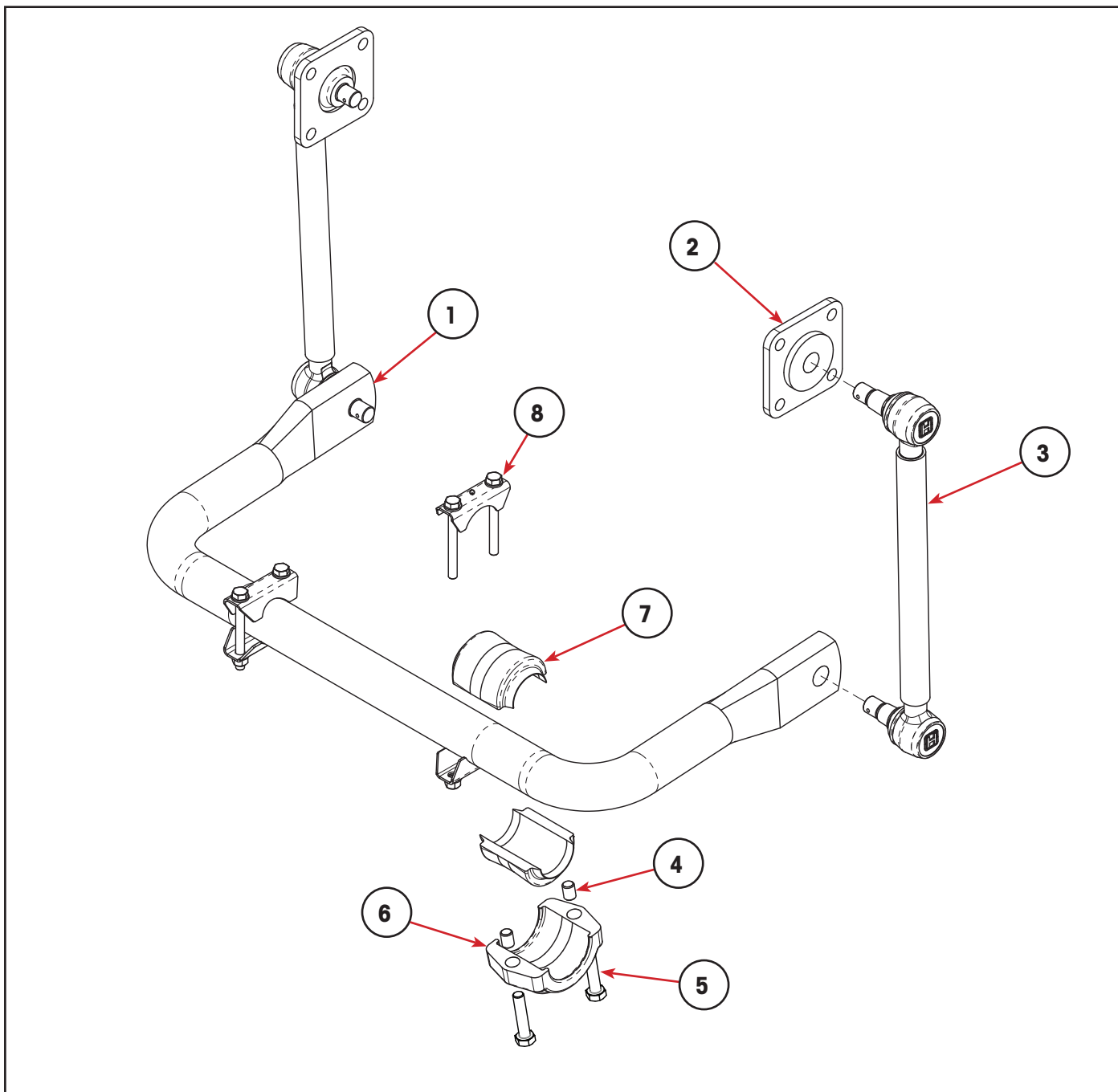


**CONTROL ARM, SPRINGS & BEAM ASSEMBLY**

Item	Part Number	Description	Qty	Notes
1	NS140215	Bracket, Frame –Control Arm	2	
2	NS140270-47	Control Arm Assembly	1	Includes item 3 & 25.
3	NS140059	Bushing - Control Arm to Pillar Pin	1	
4	NF1011	Nut, Control Arm to Pillar Pin – M22	1	
5	HS509686	U-Bolt, Axle to Beam Assembly	4	
6	NS500444	Bump Stop	2	
7	HS509692	Bracket, Air Spring – Upper	2	LH front & RH rear.
	HS509693	Bracket, Air Spring – Upper	2	RH front & LH rear.
8	HS221131	Pillar Pin Assembly – Control Arm	1	
9	83CXC0018	Seat – U Bolt	2	
10	HS509343-1	Seat, Beam – Lower	2	
11	NS320712	Dowel – Beam Seat	2	
12	83CXC0001	Beam Seat Spacer	2	
13	21AXC0009	Air Spring	4	
14	12ARC0001	Beam Assembly – RH	1	Includes anti-roll bar cap. Refer "Anti-Roll Bar & Fittings" on page 4.
	12ALC0001	Beam Assembly – LH	1	
15	HF100259	Washer, U-bolt – M24	8	
16	HF100252	Nut, U-bolt – M24	8	
17	83CXC0009	Spacer – Air Spring	4	
18	30AXC0011	Torque Rod Assembly – 680 mm	2	Includes item 19.
19	HS141033	Bushing – Torque Rod	4	Part of item 18.
20	83CXC0006	Spacer – Shock Absorber	2	
21	QF100027	Washer – Shock Absorber	2	
22	HS505091	Shock Absorber	2	Includes item 23.
23	HS505420	Shock Absorber Bush	4	Part of item 22.
24	NF1136	Bolt, Control Arm to Frame Bracket – M20	4	
25	NS140179	Bushing – Control Arm to Frame Bracket	2	

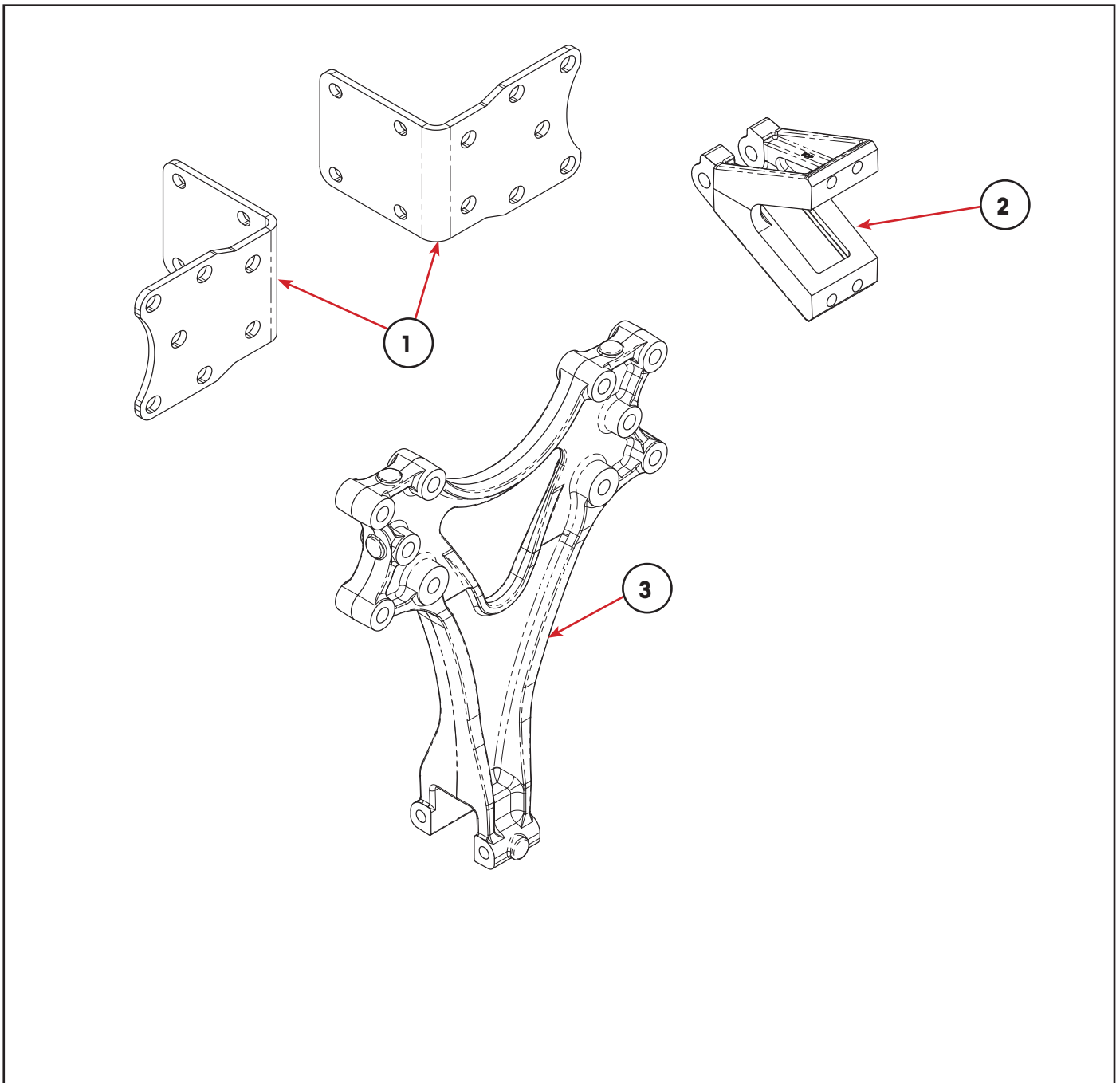


ANTI-ROLL BAR & FITTINGS



Item	Part Number	Description	Qty	Notes
1	32XC0003	Bar – Anti-Roll	1	
2	HS509712	Bracket – Anti-Roll Bar Link, Upper	2	
3	30AXC0004	Link Assembly – Anti-Roll Bar	2	Includes Fasteners.
4	HF100302	Dowel Bush	4	
5	NF1564	Bolt – M16	4	
6	12XC0001	Anti-Roll Bar Cap	2	Part of beam assembly. Refer to item 14 "Control Arm, Springs & Beam Assembly" on page 2.
7	HS508743	Bushing – Anti-Roll Bar	4	
8	HS508901	Clamp Assembly – Anti-Roll Bar	2	

**FRAME ATTACHMENT & HANGERS**



Item	Part Number	Description	Qty	Notes
1	HS509621	Bracket, Corner	4	
2	HS509173	Bracket – Shock Absorber Mount, Upper	2	
3	HS508614	Hanger, Suspension - Front	2	



Revisions Table

DATE	REV	PAGE	DESCRIPTION
04/12/17	B	3, 4	Add anti-roll bar cap/dowel, beam spacer seat/dowel & shocker bush. ECP 11125.
04/12/17	B	All	Updated format and shown not illustrated parts.

*Need Help? Call 03 8792 3600 or Email [customerservice@hendrickson.com.au](mailto:customerservice@hendrickson.com.au)*



[www.hendrickson.com.au](http://www.hendrickson.com.au)

**HENDRICKSON COMMERCIAL  
VEHICLE SYSTEMS AUSTRALIA**  
 ABN 21 004 992 769  
 32- 44 Letcon Drive, P.O. Box 1063  
 Dandenong, Victoria, 3175  
 61.3.8792.3600 • Fax 61.3.8792.3699

**HENDRICKSON NEW ZEALAND**  
 Unit P, 24 Allright Place  
 Mt Wellington  
 Auckland, 1060  
 64.9.570 4721 • Fax 64.9.570.4816