



TRAILER AIR SUSPENSIONS

H TECHNICAL BULLETIN

This document replaces
Trailer AUS 004 and 49441-090

No: 97117-173

Subject: HT Wedge Spacer Kit

Date: June 2007 Revision: A

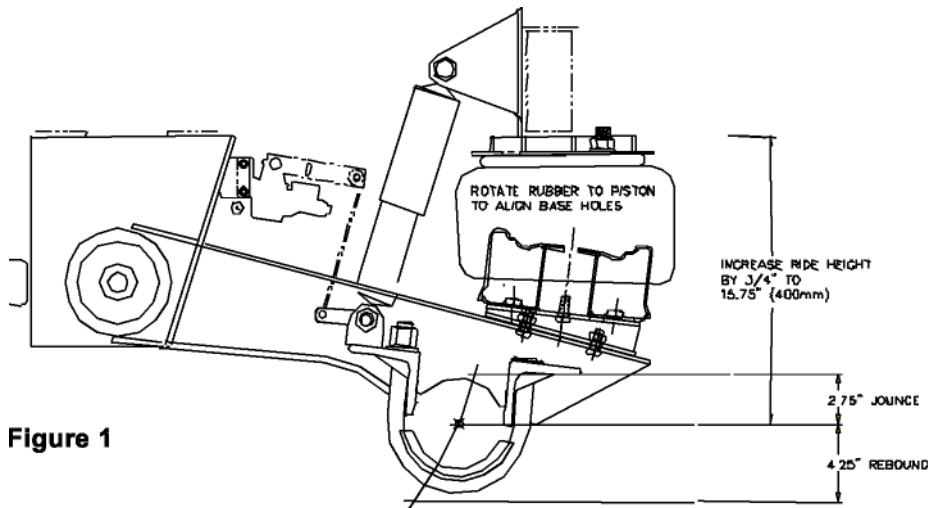


Figure 1

Description

The trend towards "dock leveling" has meant that many trailers which have previously been fitted with air suspensions are being lifted at loading docks.

The result of this is that older suspension models which were not designed to have axles hang are sustaining damage to air springs when used in this way. "Tip over axle" trailers are another case where this occurs. Newer suspensions are designed with this in mind.

To extend the life of air springs on trailers in this situation, Hendrickson has developed the wedge spacer which can be fitted to the HT230 trailer air suspension.

Parts Required Per Axle

One hardware kit is required per axle.

2 x 98628-003 Wedge Spacer

1 x 98111-026 Wedge Spacer Hardware Kit

This kit includes:-

8 x 98520-002 Bolt 0.5" x 1.25"

8 x 22962-011 Washer 0.5"

4 x 49846 Nut selfloc 0.5"

Installation Procedure

1. Support the trailer frame utilising appropriate stands and chock the wheels of the trailer.
2. Exhaust all air from the air springs.
3. Remove the air spring mounting bolts from the base of the air spring.
4. Rotate the piston relative to the air spring so that the piston to trailing arm mounting holes align with the wedge spacer air spring mounting holes.
5. These are the holes on the top surface of the wedge as shown in *Figure 3*.
6. Loosen the air spring piston retaining nut to allow rotation of the air spring about the piston (*see Figure 2*).
7. Once the air spring is aligned tighten the piston retaining nut.
8. Using the hardware kit, #98111-026, bolt the wedge spacer to the air spring piston.
9. Bolt the spacer to the trailing arm Increase the ride height by 3/4" to 15.75" (400 mm) as shown in *Figure 1*.

CAUTION: Ensure that the left hand mounting holes of the wedge spacer are utilised only on left hand trailing arms, and the right hand mounting holes of the wedge spacer are utilised only on right hand trailing arms

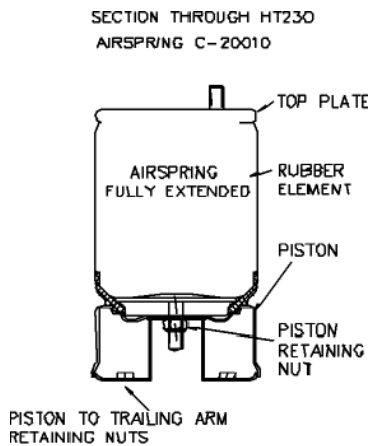


Figure 2

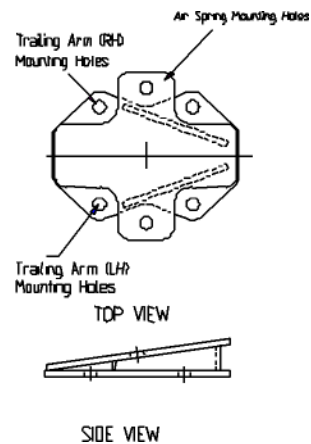


Figure 3

Refer to the Hendrickson HT Series Installation Guide for further detail on the adjustment procedure.

Contact your nearest Authorised Repairer on 1300 130 960

WARNING - HENDRICKSON REMINDS USERS TO ADHERE TO THE PUBLISHED CAPACITY RATINGS FOR SUSPENSIONS. DO NOT MODIFY PARTS OTHER THAN OUTLINED IN THIS PUBLICATION.

USE OF A MODIFIED OR SUBSTITUTE PART IS NOT RECOMMENDED BECAUSE THE PART MAY NOT MEET HENDRICKSON'S SPECIFICATIONS, WHICH COULD LEAD TO FAILURE OF THE PART, LOSS OF VEHICLE CONTROL AND PERSONAL INJURY.