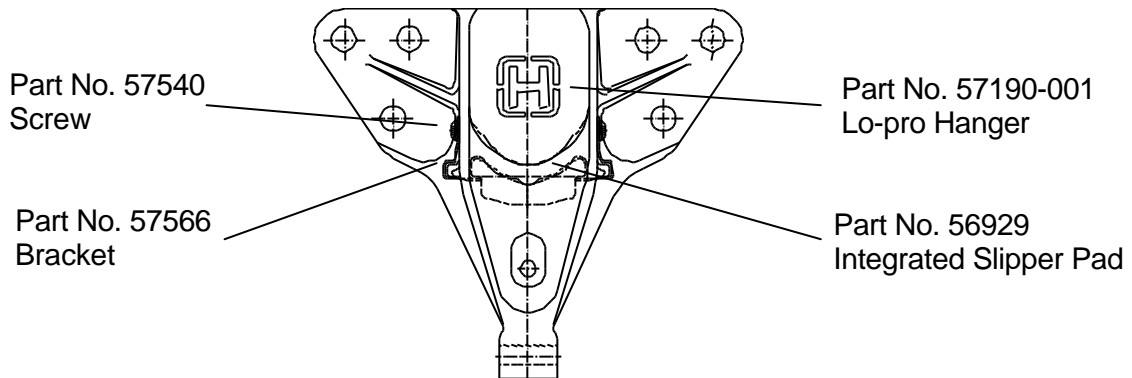


H TECHNICAL BULLETIN

HAS SERIES TRUCK AIR SUSPENSION LO-PROFILE HANGER INTEGRATED SLIPPER PAD

No: TRUCK AUS – 006
Subject: Product Update
Date: January 1999 **Revision:** A



Description

As part of our continuous product improvement program, Hendrickson has developed a Low Profile Hanger which utilises an integrated wear pad.

When the integrated wear pad shows signs of wear it is important to replace with the same type of pad and not with H or C liners currently available as the Low Profile hangers are not designed to accommodate the H or C liners. To use them will damage the main support member and frame hanger, which will then require replacement.

This bulletin contains product improvement information only. Hendrickson is not committed or liable for canvassing existing product.

If any further installation detail or assistance is required, contact the Hendrickson Customer Service Department on (03) 9767 3400.

WARNING - HENDRICKSON REMINDS USERS TO ADHERE TO THE PUBLISHED CAPACITY RATINGS FOR SUSPENSIONS. DO NOT MODIFY PARTS OTHER THAN OUTLINED IN THIS PUBLICATION.

USE OF A MODIFIED OR SUBSTITUTE PART IS NOT RECOMMENDED BECAUSE THE PART MAY NOT MEET HENDRICKSON'S SPECIFICATIONS, WHICH COULD LEAD TO FAILURE OF THE PART, LOSS OF VEHICLE CONTROL AND PERSONAL INJURY.