

# BULLETIN

## HTD 430 DISC BRAKE MAINTENANCE

LIT NO: 97117-252

DATE: August 2014      REVISION: B

---



---

### HTD-430 Disc Brake Calliper Maintenance

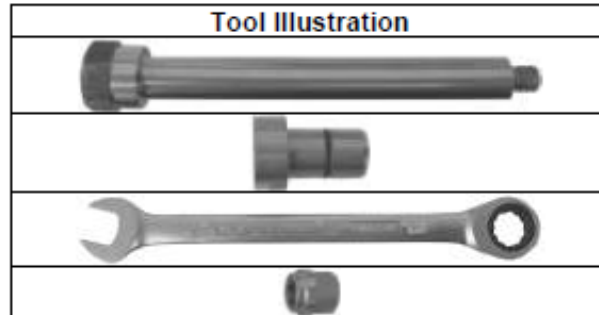
- Detailed instructions for the repair and maintenance of the Hendrickson Trailer Disc Brake Caliper (HTD) - 430 Millimetre Rotor (22.5 Inch), are available from Wabco from the reference page <http://www.wabco.info/8150100663>.
- Special Tools requirements for basic adjustment and complete rebuild of the HTD-430 are available from Hendrickson. These are described overleaf.
- Parts Listing for the HTD-430 is detailed at Hendrickson Parts List [97114-097](#).



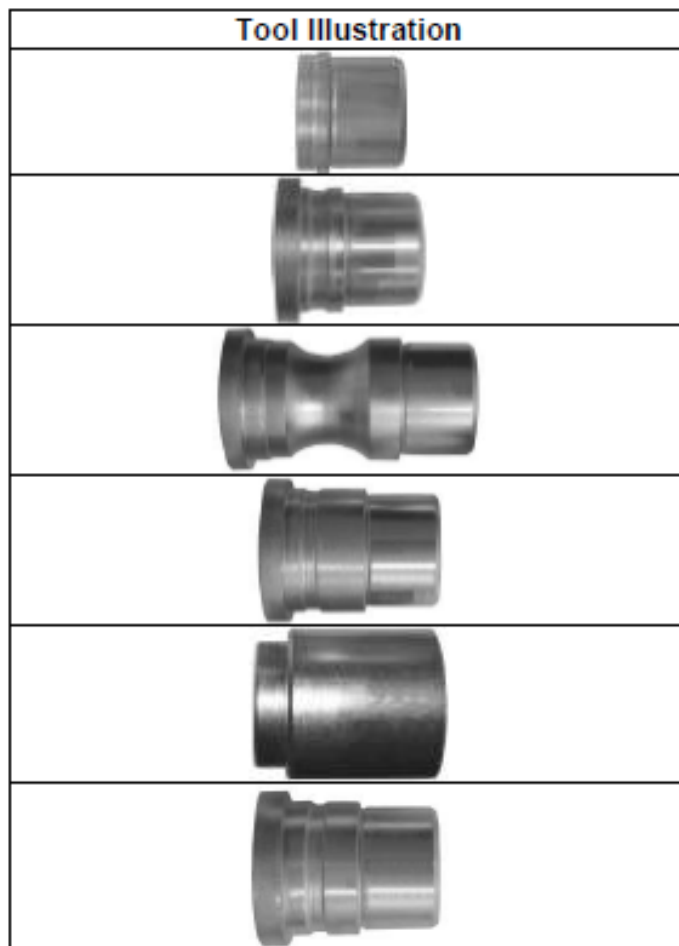
HTD 430 22.5 INCH DISC BRAKE CALIPER SPECIAL TOOLS

Special Tools requirement for basic adjustment and complete rebuild of the HTD-430 are detailed below.

BASIC TOOL SET - PART NUMBER 98596-023



COMPLETE REBUILD SET PART NUMBER 98596-024



Information contained in this literature was accurate at the time of publication, Product changes may have been made after the publication date that are not reflected here

