

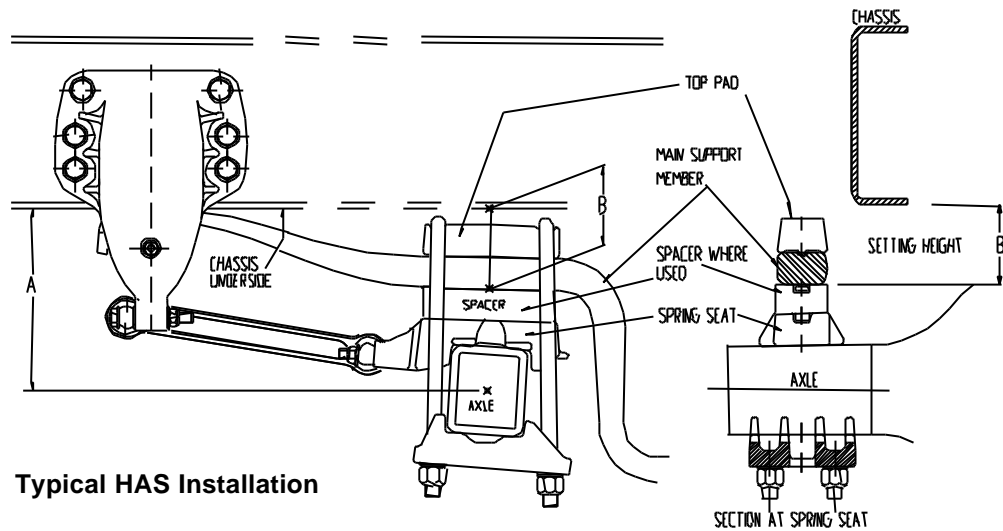
# H TECHNICAL BULLETIN

## HAS SERIES TRUCK AIR SUSPENSION RIDE HEIGHT SETTINGS

No: 49441-136 (TRUCK AUS-005)

Subject: *Engineering Update*

Date: November 1996 Revision: A



Typical HAS Installation

### Description

The ride height on each HAS installation is specified by the vehicle manufacturer. This height (shown above as dimension "A") is critical to maintaining the correct axle angles and performance of the suspension.

An easier method of determining if the ride height is set correctly, is to measure the distance from the underside of the chassis to the underside of the Main Support Member (shown as dimension "B"). This dimension has previously varied from OEM to OEM and truck model.

To simplify ride height measurement, Hendrickson has standardised dimension "B" at 108 mm (4.25") while varying dimension "A", actual ride height, to suit individual OEM requirements. This can be achieved by tailoring spring seats and spacers at the point of design.

This change will be effective for all Bills of Materials (BOM's) created after the 1st Nov., 1996 on HAS - 200/230/231/400/460/461 excluding Low Profile variants,

If you encounter any difficulties or wish to confirm your BOM specification, contact the Hendrickson Customer Service Department on (03) 9767 3400 or fax on (03) 9767 3499.