

TECHNICAL BULLETIN

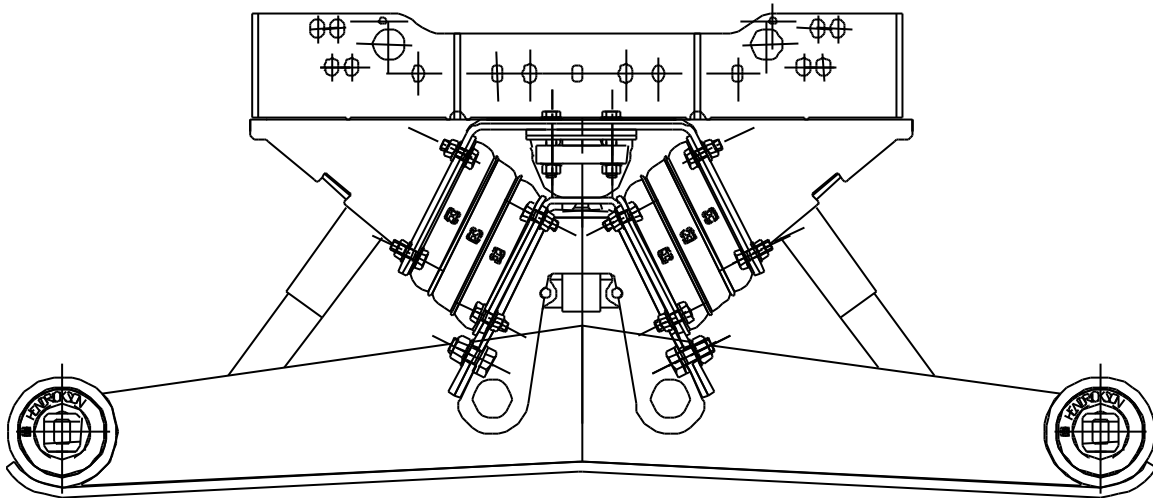
HN402 TRUCK SUSPENSION HN402 IMPROVEMENT

No: TRUCK AUS-008

Subject: *Product Update*

Date: August 1998

Revision: A



Description

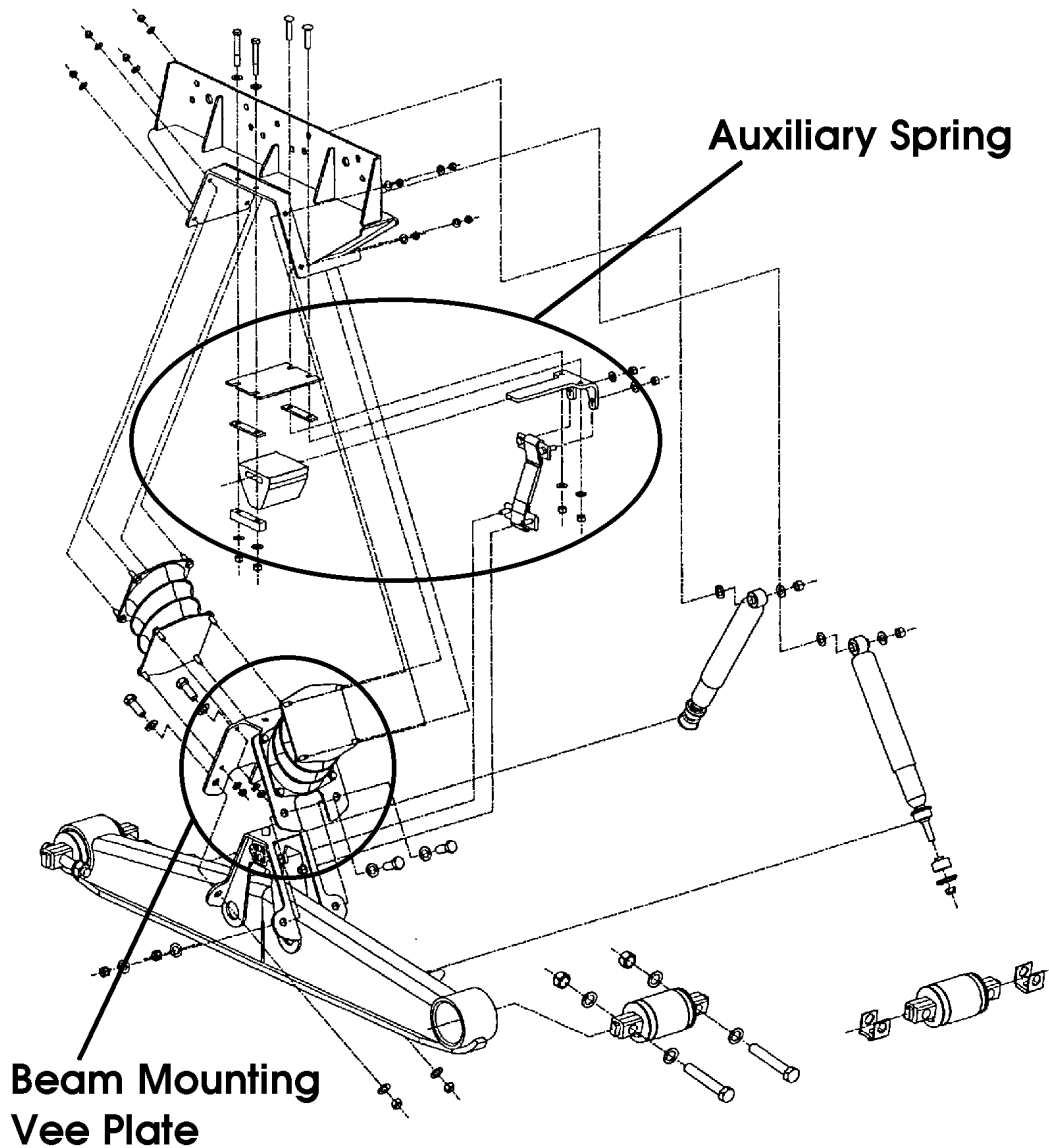
As part of our continuous product improvement program, Hendrickson is currently introducing a new Beam Assembly mounting system and Auxiliary Spring Assembly in all HN402 suspensions.

The actual installation and method of fit up of the suspension at production will not change. OEM's will however now have the option of easily installing beams to axles separately to installing saddles to the chassis.

These changes are also intended to improve durability and serviceability of the suspension.

The new Beam Assembly including Vee plate is a direct replacement for the previous beam assembly. Beam assembly 98743-001 is replaced by 98969-004. The main feature of this change is that the bolster springs are bolted to a Vee plate, which is then bolted to the beam making for easier disassembly and servicing. See the above diagram.

The Auxiliary Spring is a more noticeable change with a new look and a more durable material with simpler construction.



This new auxiliary spring provides a greater resistance to taking a "set" so will maintain its performance without requiring adjustment for longer. When adjustment is required, the new mounting method simplifies this process.

If any further installation detail or assistance is required, contact the Hendrickson Customer Service Department on (03) 9767 3400.

WARNING - HENDRICKSON REMINDS USERS TO ADHERE TO THE PUBLISHED CAPACITY RATINGS FOR SUSPENSIONS. DO NOT MODIFY PARTS OTHER THAN OUTLINED IN THIS PUBLICATION.

USE OF A MODIFIED OR SUBSTITUTE PART IS NOT RECOMMENDED BECAUSE THE PART MAY NOT MEET HENDRICKSON'S SPECIFICATIONS, WHICH COULD LEAD TO FAILURE OF THE PART, LOSS OF VEHICLE CONTROL AND PERSONAL INJURY.