

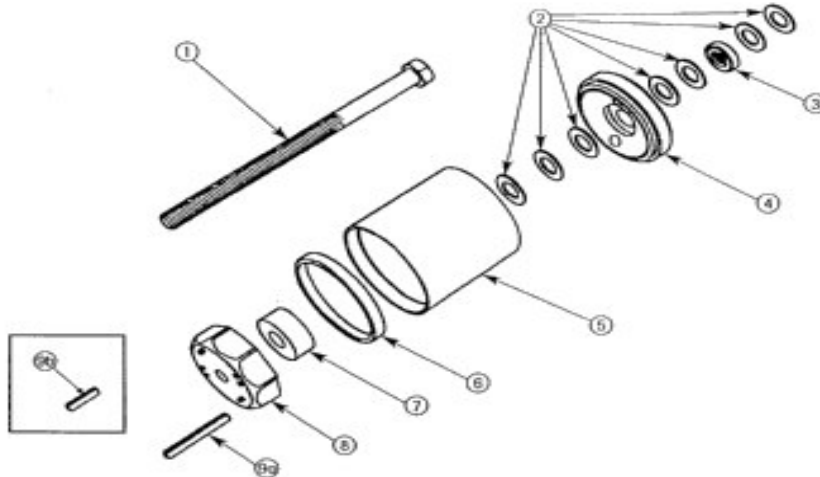
Refers to Products in the Asia Pacific Region Only



TRAILER AIR SUSPENSIONS

TECHNICAL BULLETIN

No: 97117-102
Subject: TFB Tool Parts List
Date: July 2003 **Revision:** B



ITEM	DESCRIPTION	PART NO	QTY	NOTES
	INTRAAAX & HT BUSHING TOOL	S-21307A	1	STANDARD BUSHING IS 6.75" WIDE
	MAXITRAAX BUSHING TOOL	S-24736	1	NARROW BUSHING IS 3.625" WIDE
1	HEX HEAD BOLT			
1a	INTRAAAX & HT	S-21308	1	ACME THREADS 18"
1b	MAXITRAAX	S-24215	1	ACME THREADS 14"
2	WASHERS	SA-1500-15	7	
3	THRUST BEARING	S-21315	1	
4	FRONT PLATE			
4a	INTRAAAX & HT	S-21312	1	
4b	MAXITRAAX	S-26986	1	
5	TRANSITION TUBE			
5a	INTRAAAX & HT	S-21313	1	
5b	MAXITRAAX	S-24216	1	
6	CUP - INTRAAAX & HT	S-21310	1	
7	REMOVAL SPACER	S-21314	1	
8	REAR DRIVE PLATE			
8a	INTRAAAX & HT	S-21309	1	
8b	MAXITRAAX	S-26985	1	
9	CUP POINT SET SCREW			
9a	FOR REMOVAL	SA-2800-4	2	(LENGTH IS 4")
9b	FOR INSTALLATION	SA-2800-7	2	(LENGTH IS 2")
	LINER - MAXITRAAX	S-2068-4	1	NOT SHOWN
	ALIGNMENT PIN - MAXITRAAX	S-24212	4	NOT SHOWN
	BUSH LUBRICANT	A-14011	1	REQUIRED IF BUSH KIT NOT USED
	EXTREME PRESURE LUBE	S-21337	1	FOR LUBRICATION OF ACME THREAD

Contact a member of our Repairer Network on 1300 130 960