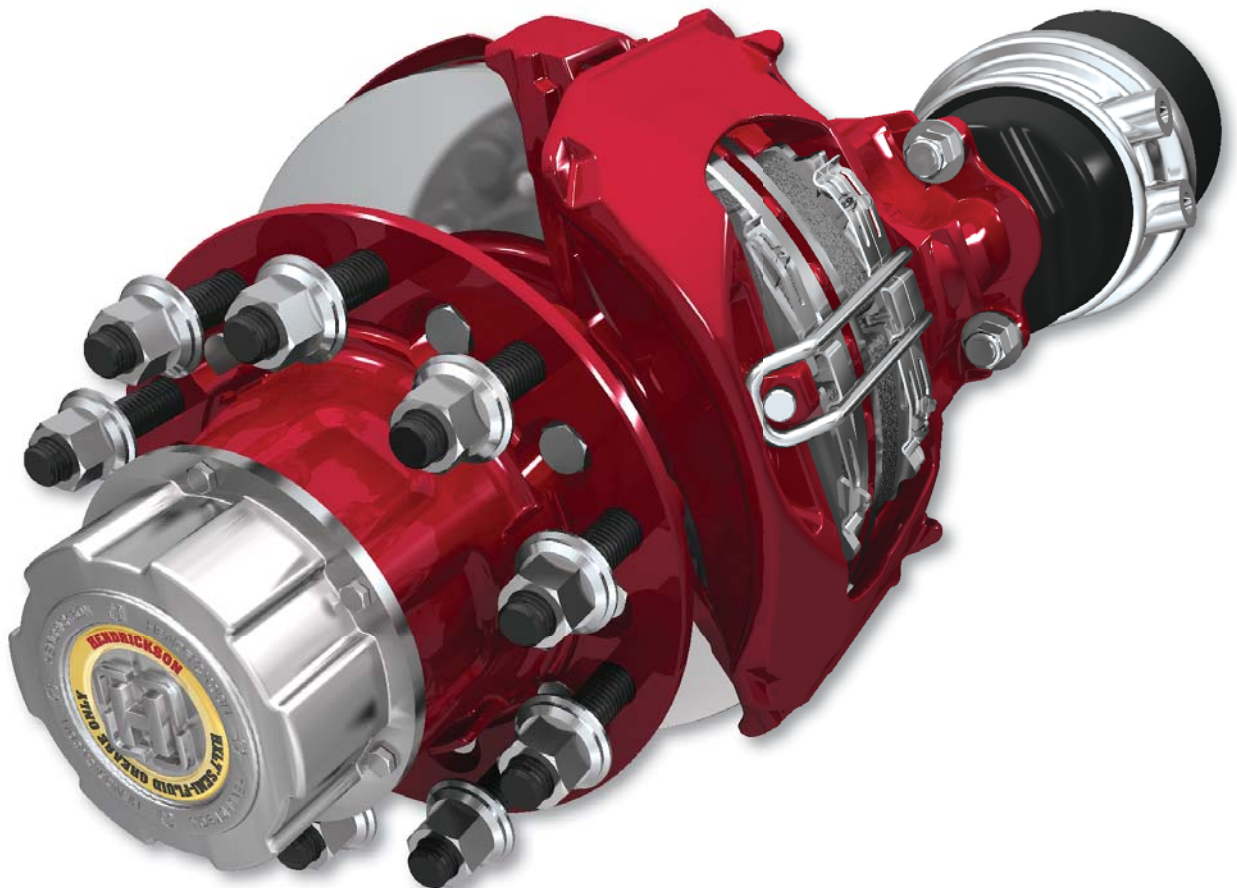


- Exceptional weight savings
- Optimised design
- Proven Hendrickson quality



Exceptional Weight Savings

Hendrickson MAXX22T™ offers significant weight savings over standard ductile iron designs while still maintaining the quality and reliability fleet owners and operators expect from Hendrickson.

Optimized Design

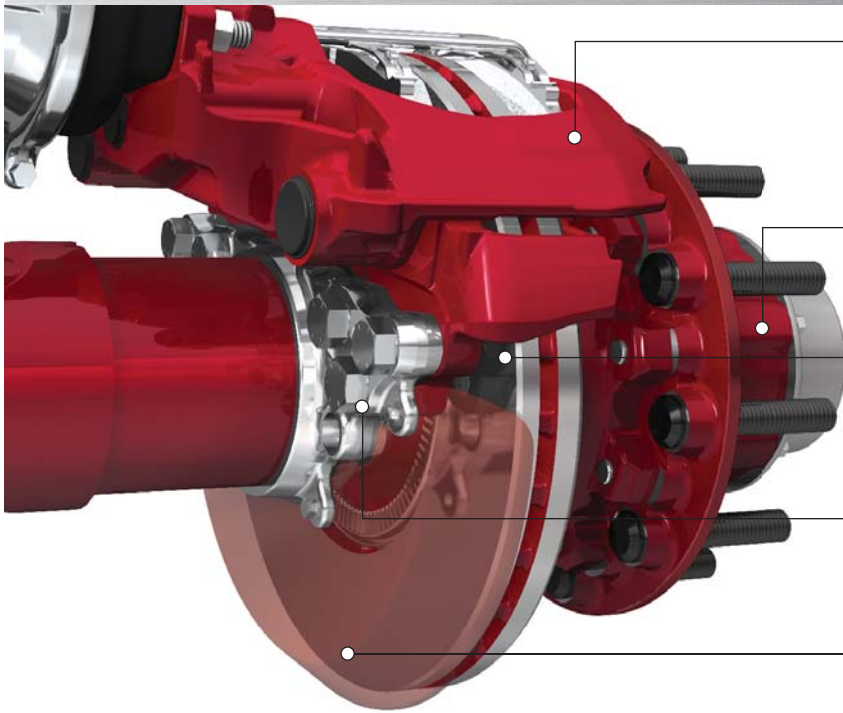
Hendrickson continues to address the industry's demand for advanced trailer air disc brakes with the introduction of the proprietary MAXX22T air disc brake system is specifically designed to optimise air disc brakes for trailer applications and incorporates premium features exclusive to Hendrickson.

Proven Hendrickson Quality

Hendrickson infuses design expertise, state-of-the-art R&D capabilities and proven assembly processes to our lineup of fully integrated ride solutions. Hendrickson addresses the industry's demand for improved trailer air disc brakes with the introduction of MAXX22T — our exclusive air disc brake system designed, tested and proven to optimise trailer braking performance.

To learn more about MAXX22T,
call Hendrickson or visit
www.hendrickson.com.au

MAXX22T™ Trailer Air Disc Brakes



Hendrickson proprietary MAXX22T™ Brake Caliper

- Utilises single piston technology for higher reliability and reduced weight
- Compact and lightweight mono-block design
- Sealed and protected guide system

Hendrickson Extended-Life Wheel-End System

- Available with HXL7® extended-life wheel-end systems

Lightweight Rotor

- Weight optimised cast rotor - \varnothing 415 mm
- Increased valve stem clearance
- All surfaces e-coated for longer corrosion protection
- Rotor mounted ABS pole ring

Torque Plate

- Weight optimised design
- Additional hole for back-up sensor fitment
- Notch feature to prevent improper caliper installation

Dust Shield

- Bolt-on design for easier installation and maintenance
- E-coated to provide longer corrosion protection
- Built-in clearance to allow for simplified rotor inspection

Hendrickson suspensions available with MAXX22T air disc brakes (ADB):

- INTRAAX® AAT250, AAL250 (11.4 t)
- HP (parallel) Spindle
- Ride Height range: 6.5-inch up to 19-inch
- LDA™ Large-Diameter Axle
- 22.5-inch wheels
- TIREMAAX® PRO option
- UBL™ UNDER BEAM LIFT™ option
- Tare weight as low as 408 kg*
- 2-year brake caliper warranty**



* Weight varies with specification

** Contact your local Hendrickson representative for complete warranty terms, conditions and limitations.

Call Hendrickson or visit our web site for additional information.



www.hendrickson.com.au

Hendrickson Asia Pacific
32-44 Letcon Drive
Dandenong South, Victoria,
3175 Australia
Phone (03) 8792 3600
Fax (03) 8792 3699
Email sales@hendrickson.com.au

Hendrickson New Zealand
Unit P, 24 Allright Place
Mount Wellington, Auckland
Phone (09) 9570 471
Fax (09) 9570 4816
Email sales@hendrickson.co.nz