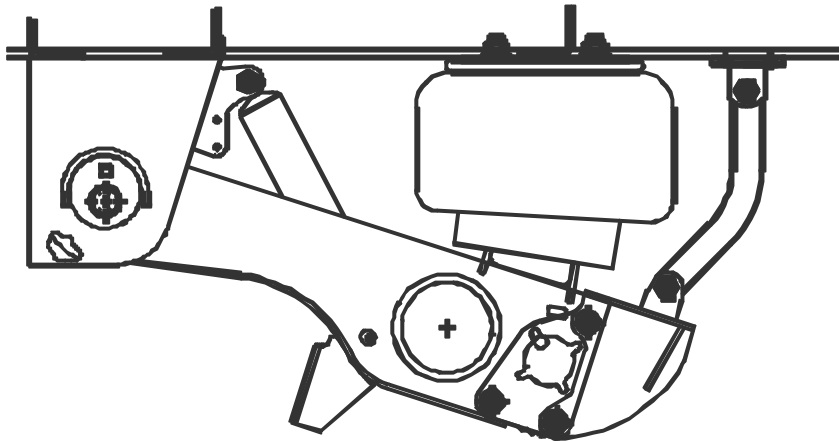


# H SALES BULLETIN

## INTRAAX SERIES TRAILER AIR SUSPENSION Auxiliary Rebound Limiter (ARL)

No: 97114-007

Date: 6 October 2003 Revision: A



As part of Hendrickson's continual improvement program we are pleased to introduce the Auxiliary Rebound Limiter (ARL)

- **Designed to help prevent over extension of shocks and air springs during:**
  - Abrupt fore and aft stops to shift trailer load
  - Unloading via platform lifts
  - Severe "off-highway" applications

- **Dump applications where suspension may leave the ground during unloading**
- **Part numbers are:**
  - 98918-005 for 13.5" - 15" ride
  - 98918-006 for 16"& 17"

**WARNING - HENDRICKSON REMINDS USERS TO ADHERE TO THE PUBLISHED CAPACITY RATINGS FOR SUSPENSIONS. DO NOT MODIFY PARTS OTHER THAN OUTLINED IN THIS PUBLICATION.**

**USE OF A MODIFIED OR SUBSTITUTE PART IS NOT RECOMMENDED BECAUSE THE PART MAY NOT MEET HENDRICKSON'S SPECIFICATIONS, WHICH COULD LEAD TO FAILURE OF THE PART, LOSS OF VEHICLE CONTROL AND PERSONAL INJURY.**