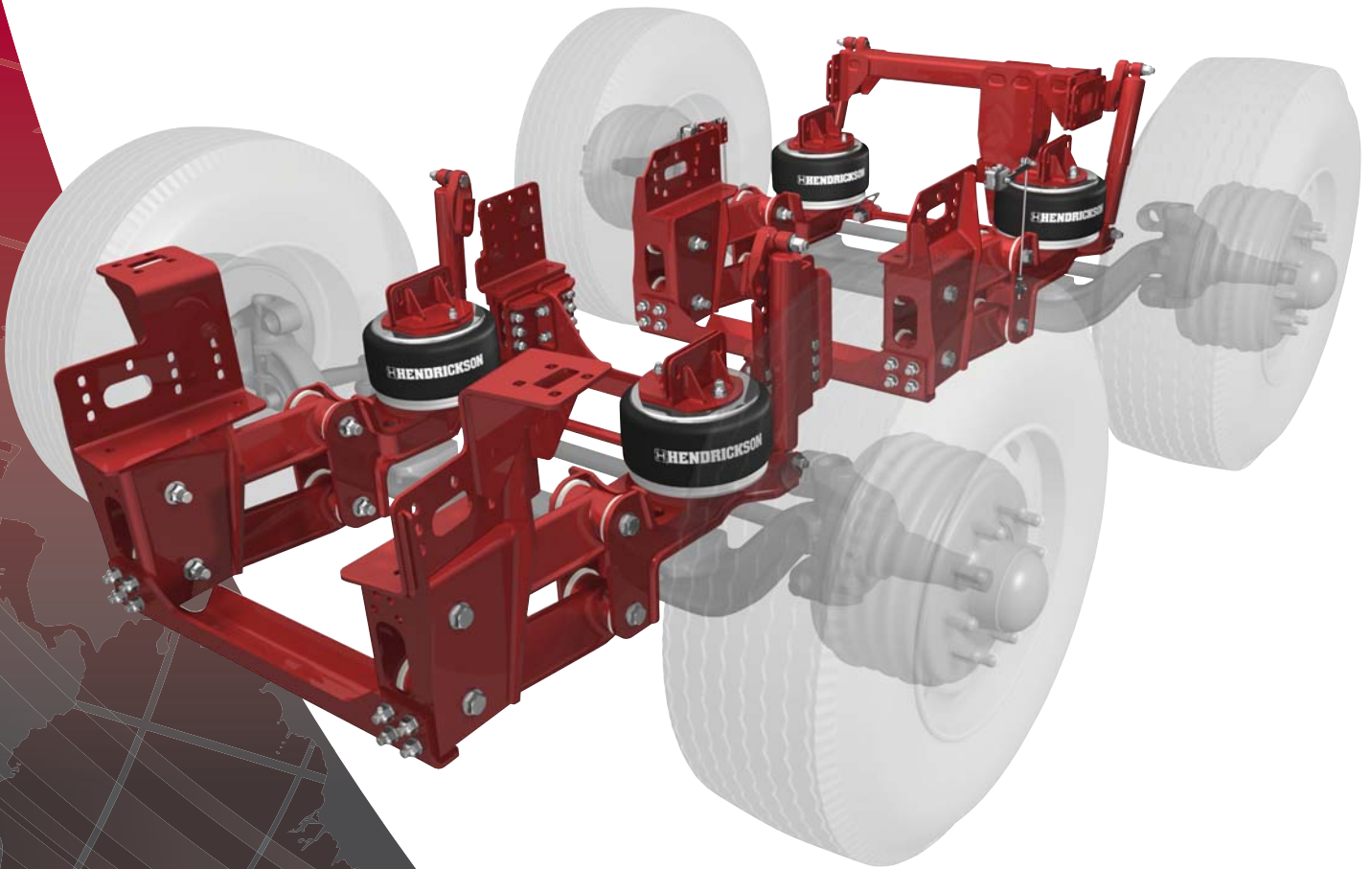


# **PARASTEER™ HD**

**Vocational Front Air Suspension  
Single, Dual and Tri-Steer Applications**

## **PARASTEER™ HD offers flexibility and ride comfort for multiple steer axle configurations**

Designed for single, dual and tri-steer applications, the Hendrickson PARASTEER HD front air system is built to meet the demands of a variety of vocational and construction applications including concrete, crane, oil field, tank and other specialty trucks. PARASTEER HD is a uniquely designed suspension with no fixed steer axle spacing constraints, providing excellent axle spacing flexibility. This allows the end user, chassis manufacturer and body manufacturer to work together to obtain the optimum weight distribution for the application. Available in configurations up to 20,000 lbs. per steer axle, PARASTEER HD provides outstanding performance, ride quality and handling for tough specialty applications.



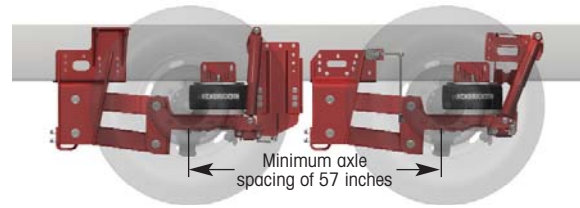
For additional information, call **630.910.2800** or visit our web site at [www.hendrickson-intl.com](http://www.hendrickson-intl.com).

 **HENDRICKSON**  
*The World Rides On Us™*

# PARASTEER™ HD — Designed for outstanding ride in multiple steer axle configurations

## Axle Spacing Flexibility

- No fixed steer axle spacing constraints, allowing the axle to be spec'd in the position that best suits the application



## Superb Ride Quality

- Air springs equally support one hundred percent of the vertical load, cushioning the driver by isolating impacts from the road and offering more protection to the chassis and equipment
- Four-bar linkage design maintains correct steering geometry under all conditions, minimizing steering error caused by rough road, hard cornering and braking
- Dual height control valves adjust to the load, resulting in a constant ride height and comfortable ride

## Weight Savings

- System weight remains constant as steer axle spacing increases, offering an increasing weight advantage over competitive systems that require longer or larger components at higher axle spacings

## Maximum Mobility

- System design allows the vehicle to achieve the maximum amount of wheel cut, based on axle manufacturer, tire size and steering configuration

## Excellent Handling

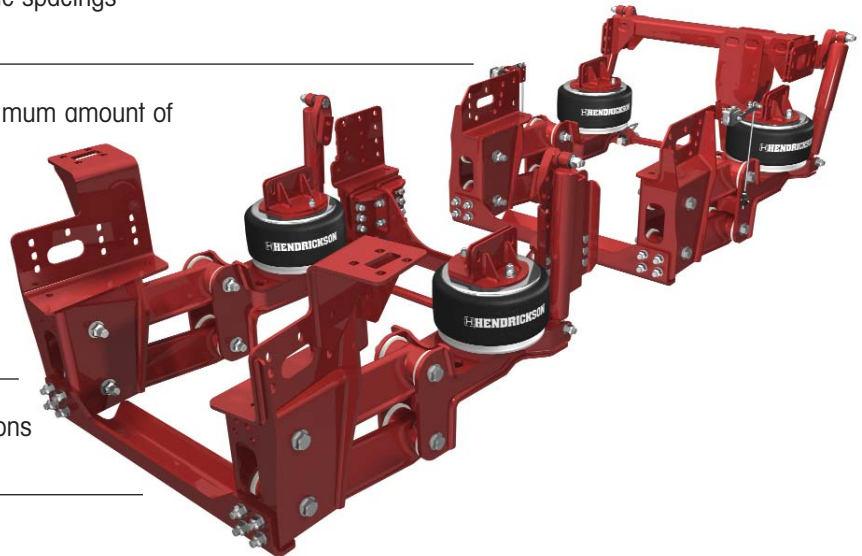
- Transverse torque rods increase lateral stability

## Versatile Applications

- Available in single, dual and tri-steer axle configurations

## Reduced Maintenance

- Heavy-duty rubber bushings require no lubrication



Model	Capacity	Axle Travel <sup>1</sup>	Off-road Approval	Installed Weight <sup>2</sup>
<b>PS 200HD</b>	Available in capacities up to 20,000 lbs. per axle	4.7 inches	Up to 100 percent	1,220 lbs. per dual-steer system

1. Travel may be limited by vehicle manufacturer; axle stop settings and shock stroke may restrict suspension's articulation. Varying ride heights and configurations may restrict travel.

2. Installed weight includes complete suspension, as shown above with transverse torque rods, front and rear cross members, axle seats and all suspension hardware.

[www.hendrickson-intl.com](http://www.hendrickson-intl.com)



Truck Suspension Systems  
800 South Frontage Road  
Woodridge, IL 60517-4904 USA

630.910.2800  
Fax 630.910.2899

