



## TRAILER AIR SUSPENSIONS

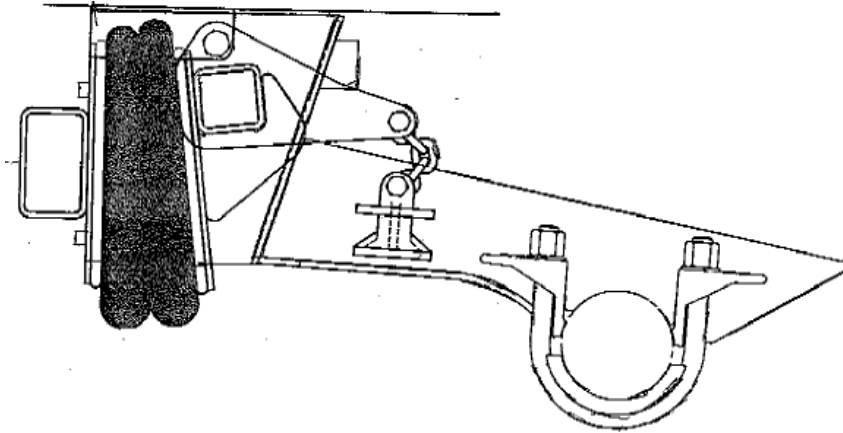
## H TECHNICAL BULLETIN

This document Replaces  
Trailer AUS 018 and 49441-250

**No:** 97117-172

**Subject:** HT Centre-lift Valve

**Date:** December 2001 **Rev:** B



### **Description**

As part of our continuous product improvement program, Hendrickson have updated our recommended air system plumbing on CL-100, CL-101 and CL-102 Centre Lift Kits fitted to HT230 Trailer Suspensions.

The system recommendations now require a 550kPa (80psi) pressure regulator fitted in line to limit pressure to the 'lift' air spring.

A 98732-006 Pressure Regulator is available from Hendrickson and is now included in CL-100, CL-101 and CL-102 Centre Lift Kits as part of the bill of materials.

As such, the kits will now have a revised part number to reflect the inclusion of the regulator valve.

The new part numbers for these kits are CL-100A, CL-101A and CL102A.

*This bulletin contains product improvement information only. Hendrickson is not committed or liable for canvassing existing product.*

If further assistance is required, contact the Hendrickson Product Support Department or a member of our Repairer Network on 1300 130 960