

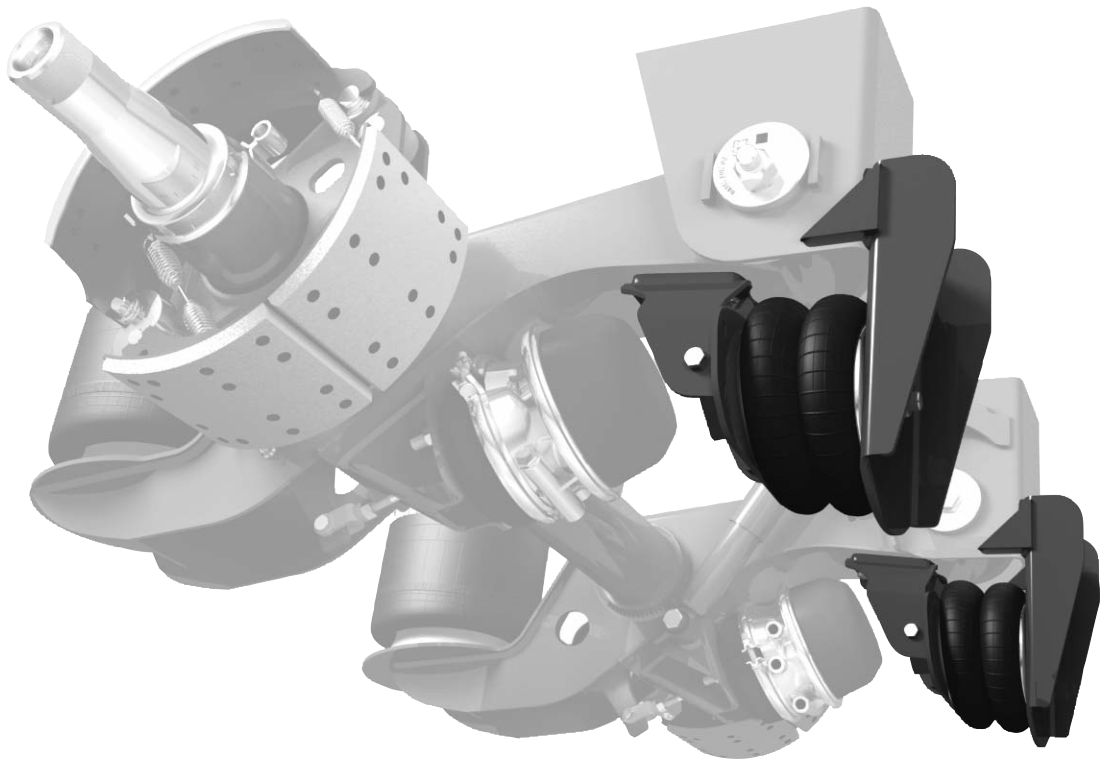
PARTS LIST

UNDER BEAM LIFT™ (UBL™)

LIT NO: L757

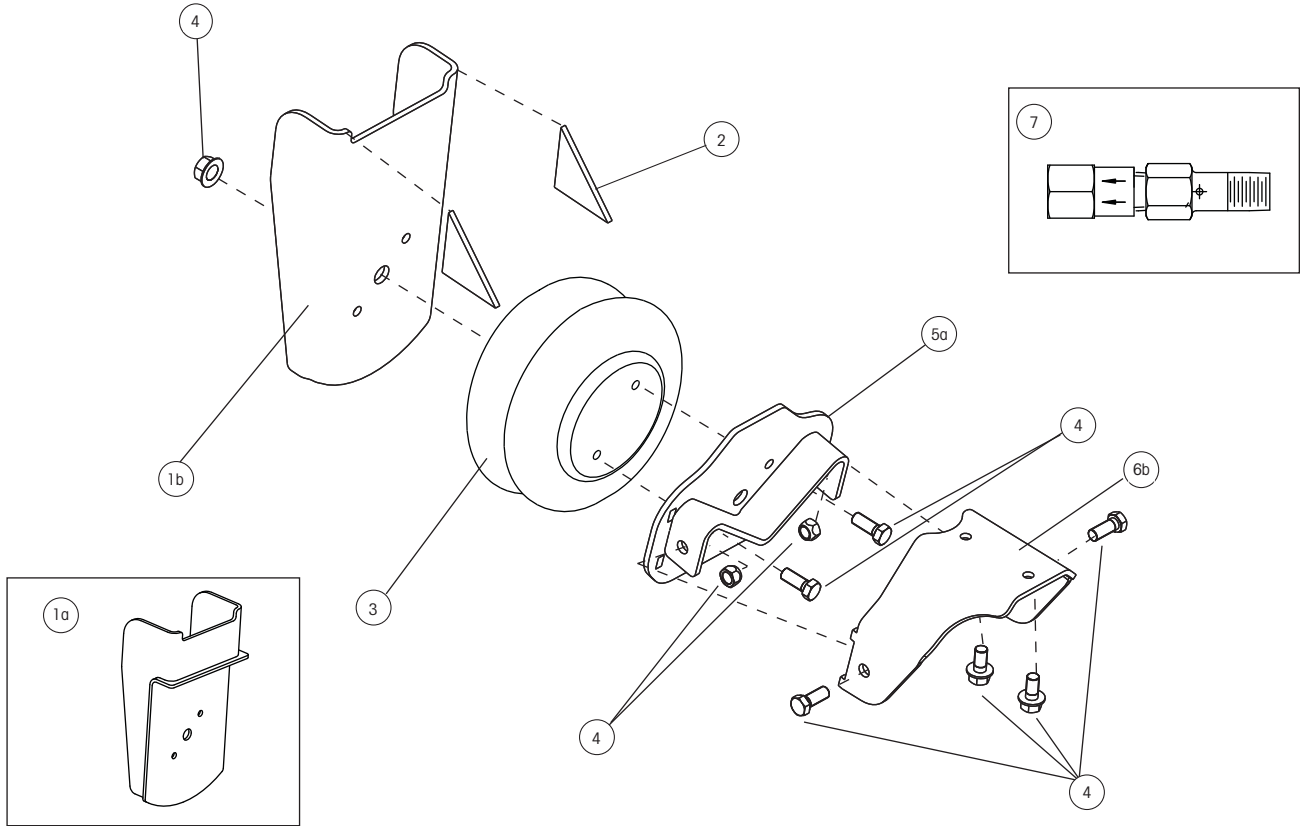
DATE: May 2009

REVISION: D

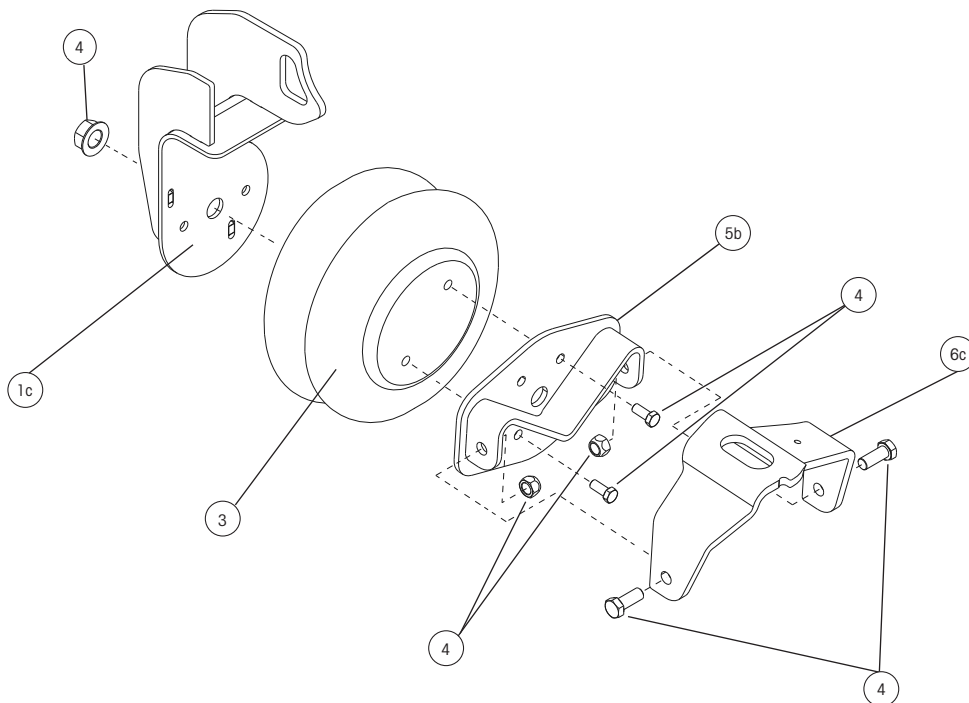




UBL - 001, UBL - 002, UBL - 003



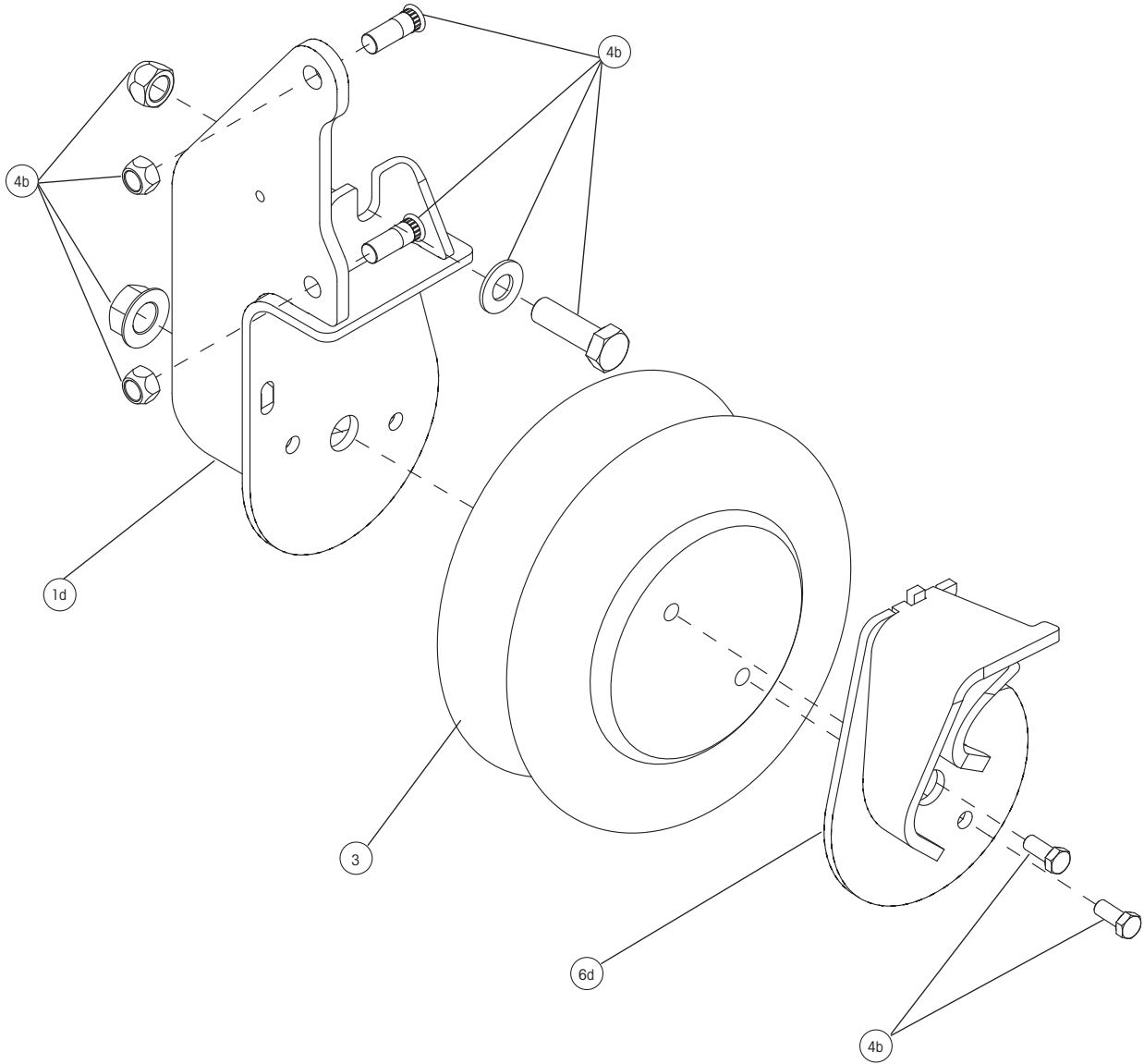
UBL - 004 (AANT Only)





ITEM	DESCRIPTION	PART NO.	QTY.	NOTES
1	FRAME BRACKET LIFT SUPPORT			
1a	UBL-001	D-23301	2	AAT, HT230 and HT300 models
1b	UBL-002, UBL-003	D-24658	2	AAL, AAEDT, AAEDL and HT250T models
1c	UBL-004, Roadside	C-28610-1	1	AANT models only
	UBL-004, Curbside	C-28610-2	1	
1d	UBL-005, Roadside	C-30293-1	1	AANL models only
1d	UBL-005, Curbside	C-30293-2	2	AANL models only
2	GUSSET	B-2901-37	4	Use with UBL-002 and UBL-003 frame frame bracket lift support
3	AIR SPRING	S-23114	2	Replaces C-23114
4	LIFT ASSEMBLY BOLT KIT			
4a	UBL-001, UBL-002, UBL-003, UBL-004	S-24614/2	2	Includes (2) 1/2" bolts, (2) 3/8" bolts, (2) self-tapping screws, (2) prevailing torque hex nuts and (1) Spirallock® hex nut
4b	UBL-005	S-30634/2	2	Includes (2) 3/8" bolts, (2) 1/2" round head ribbed neck bolts, (1) 5/8" bolt, (3) prevailing torque hex nuts (1) std. hex nut, (1) flat washer and (1) Spirallock® hex nut
5	LIFT SPRING PLATE ASSEMBLY			
5a	UBL-001, UBL-002, UBL-003	B-27945	2	All models except AANT
5b	UBL-004	C-28614	2	AANT models only
5c	UBL-005	N/A		AANL models only
6	LIFT BRACKET			
6a	UBL-001 (Not Shown)	C-23299	2	AAT, HT230 and HT300 models
6b	UBL-002, UBL-003	C-28537	2	AAL, AAEDT, AAEDL and HT250T models
6c	UBL-004, Roadside	C-28617-1	1	AANT models only
	UBL-004, Curbside (Not Shown)	C-28617-2	1	AANT models only
6d	UBL-005, Roadside	C-30209-1	1	AANL models only
6d	UBL-005, Curbside	C-30209-2	1	AANL models only
7	CROSSOVER VALVE — UBL-003	AKAM0004	1	AAL 30K and AAEDL 30K models only

UBL - 005 (AANL Only)



www.hendrickson-intl.com



Trailer Suspension Systems
250 Chrysler Drive, Unit #3
Brampton, ON Canada L6S 6B6
905.789.1030
Fax 905.789.1033

Trailer Suspension Systems 866.RIDEAIR (743.3247)
2070 Industrial Place SE 330.489.0045
Canton, OH 44707-2641 USA Fax 800.696.4416

Trailer Suspension Systems
Av. Industria Automotriz #200
Parque Industrial Stiva Aeropuerto
Apodaca, N.L., México C.P. 66600
(52) 81 8288 1300
Fax (52) 81 8288 1301