

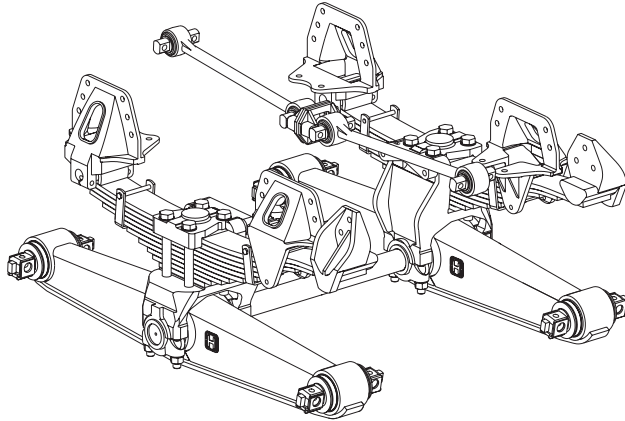
PARTS LIST

RT™/RTE™ Series

LIT NO: SP-168

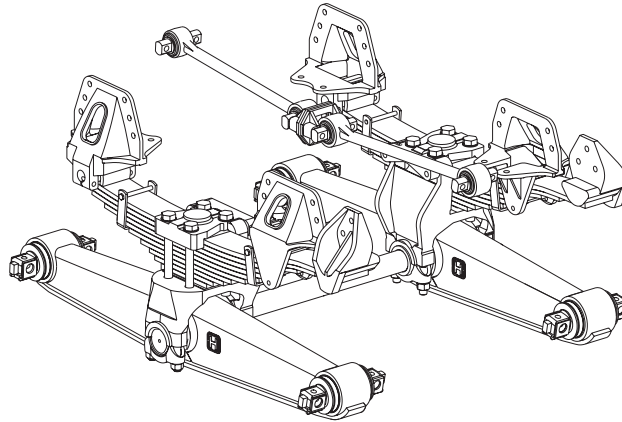
DATE: June 2008

REVISION: B



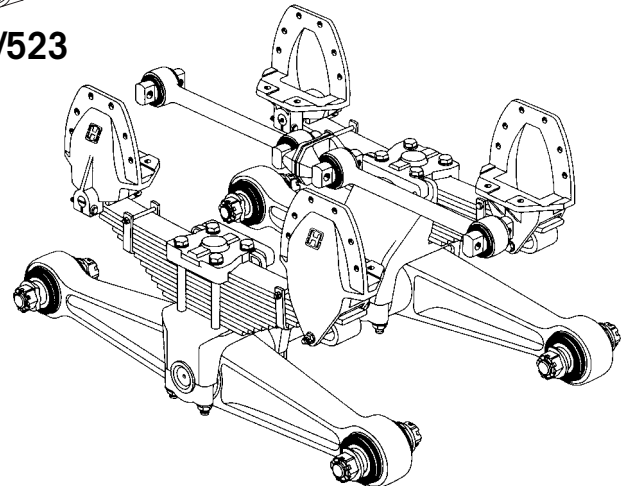
RT/RTE 340/343/400/403/460/463

Page 2



RT/RTE 480/503/520/523

Page 4

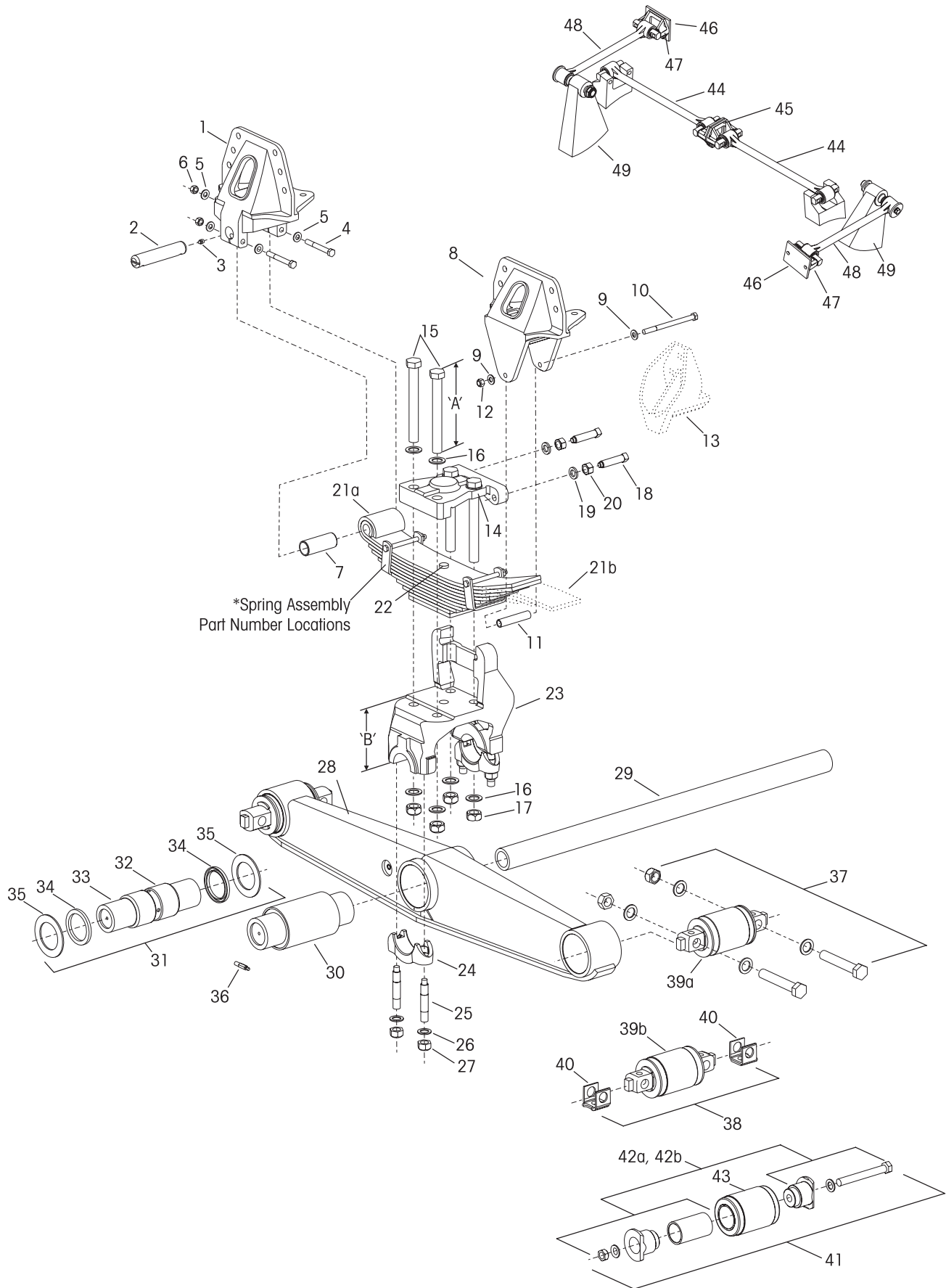


HEAVY DUTY RT 650

Page 6

For The Road Ahead™

 **HENDRICKSON**





KEY NO.	PART NO.	DESCRIPTION	NO. REQ.	KEY NO.	PART NO.	DESCRIPTION	NO. REQ.
1		Forward Spring Hanger, Double Lock Pin, See RT/RTE Hanger Selection Guide 45745-038	2	29		Cross Tube, 447/8" Length	1
2	43146-000	Pin-1 3/8" Diameter Double Lock	2	44642-008L	RT/RTE 340, 1 15/16" Diameter		
3	33117-000	Lube Fitting	2	44643-009L	RT/RTE 343-463, 27/16" Diameter		
	29828-035	Front Lock Bolt Service Kit, One Hanger Includes Key Nos. 4-6		30		**Rubber Center Bushing	2
4	24531-009	1/2"-13 UNC Bolt	4	06664-000L	RT/RTE 340		
5	22962-011	1/2" Washer	8	22279-000L	RT/RTE-340 w/Loose End Plug		
6	49846-000	1/2"-13 UNC Locknut	4	49400-000L	RT/RTE 343/403		
7	30057-008L	Spring Eye Bushing, 1 3/8" I.D.	2	49600-000L	RT/RTE 343/403 w/Loose End Plug		
8		Rear Spring Hanger, See RT/RTE Hanger Selection Guide 45745-038	2	29483-005L	RT/RTE 463, Optional, Requires Transverse Rods		
9	22962-011	1/2" Hardened Washer	4	34013-097L	RT/RTE 463 w/ Loose End Plug, Optional, Requires Transverse Rods		
	29828-023	Rebound Bolt & Spacer Kit, One Hanger Includes Key Nos. 10-12		31		Bronze Center Bushing Service Kit, Two Beams Includes Key Nos. 32-36	
10	24531-005	1/2"-13 UNC Bolt	2	30436-000L	RT/RTE 340, Optional		
11	00194-000	Spacer	2	30437-000L	RT/RTE 343-403, Optional RT/RTE 463, Standard		
12	49846-000	1/2"-13 UNC Locknut	2	32		Bronze Center Bushing	2
13		Extended Leaf Spring Hanger, See RT/RTE Hanger Selection Guide 45745-038	2	30240-001	RT/RTE 340		
14	35064-000	Top Pad	2	30240-002	RT/RTE 343-463		
15	30550-	Bolt, Specify Length, Dim. 'A'	8	33		Beam Center Sleeve	2
16	22962-006	1" Washer	16	14684-000	RT/RTE 340		
17	08017-000	1"-14 UNS Locknut	8	14685-000	RT/RTE 343-463		
	35370-002	Set Screw Service Kit, One Set Includes Key Nos. 18-20		34		Beam Center Seal	4
18	06813-000	3/4"-10 UNC Square Head Set Screw	4	30333-000	RT/RTE 340		
19	17339-000	Set Screw Lockwasher	4	30334-000	RT/RTE 343-463		
20	17342-000	3/4"-10 UNC Set Screw Locknut	4	35		Thrust Washer	8
		*Spring Assembly	2	32364-000	RT/RTE 340		
21a	58193-000	RT 340/343 Standard Duty		32365-000	RT/RTE 343-463		
21a	58194-000	RT 340/343 Light Duty		36		Lube Fitting	2
21a	45027-000	RT 400/403		58758-001	w/ Fab Beam		
21a	47057-000	RT 460-523		30087-000	w/ Forged Beam		
21b	58192-000	RTE 340/343		37		Bar Pin End Bushing Service Kit, One Wheel End Non-Shim Type Includes Key No. 39a and Fasteners	
21b	45121-000	RTE 400/403		34013-087L			
21b	45322-000	RTE 460-503		38		Shim Type Includes Key Nos. 39b, 40 and Fasteners	
22	66662-001	Center Bolt, Cut to Length, <i>Replaces 05069-000</i>	2			*****Bar Pin End Bushing	4
23		Saddle Assembly, Dim. 'B' Includes Key Nos. 24-27	2	39a		Non-Shim Type	
	31017-023	RT/RTE 340 Height 6 3/16", (Casting No. 46529)		39b		Shim Type	
	31017-025L	RT/RTE 340 Height 7 3/16" (Casting No. 46138)		40		Shim	8
	31017-022L	RT/RTE 343-403 Height 6" (Casting No. 57167)		50130-000	0.19"/0.19"		
	31017-109L	RT/RTE 343-403 Height 7 3/16" (Casting No. 57143)		50131-000	0.25"/.12"		
	31017-096L	RT/RTE 460/463 Height 6" (Casting No. 57457)		41		Rubber End Bushing and Adapter Service Kit, One Wheel End	
	31017-110L	RT/RTE 460/463 Height 7 3/16" (Casting No. 57155)		34013-049L	RT/RTE 343-403, Includes Key Nos. 42a, 43		
24		Saddle Cap	4	34013-073L	RT/RTE 463, Includes Key Nos. 42b, 43		
	06662-000	RT/RTE 340			Adapter w/o Bushing Service Kit, One Wheel End		
	58795-000	RT/RTE 343-463		42a	45000-007L	RT/RTE 340-403	1
25		7/8"-14 UNF Saddle Cap Stud	8	42b	21140-034L	RT/RTE 463	
	07002-000	RT/RTE 340		43	45900-000L	End Bushing	1
	06696-000	RT/RTE 343-463		44	60218-000	***Two-piece Torque Rod Assembly	2
26	22962-002	7/8" Washer	8	45	22186-000	Torque Rod Frame Bracket	2
27	04842-000	7/8"-14 UNF Saddle Cap Nut	8	42518-		****Transverse Rod Ass'y Service Kit, Axle Set Includes Key Nos. 46-49	
28		See Equalizing Beam Assembly Selection Guide 45745-147	2	46	45045-003	Backup Plate	2
				47	22186-000	Transverse Rod Frame Bracket	2
				48	60215-000	****Two-piece Transverse Rod Assembly	2
				49		Transverse Rod Axle Bracket See Lit No. 59310-004 for proper axle bracket and Assembly Instructions	2

NOTE: Brackets for drive axles are supplied by the axle manufacturer.

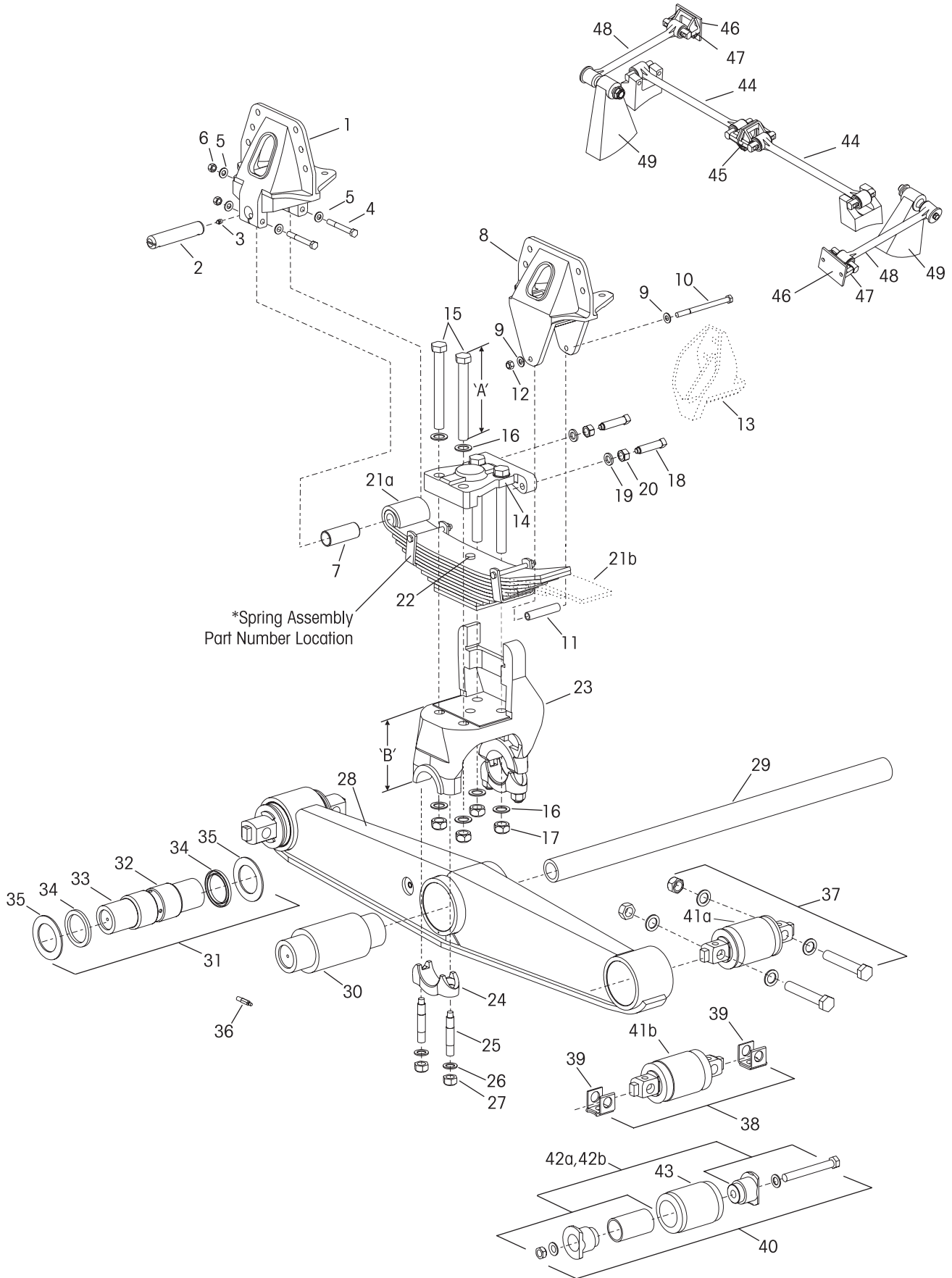
* Specify spring assembly part number, located on side or top of spring clip (as shown in exploded view). Individual spring leaves available: The number (main leaf) and number 2 (wrapper leaf) can be ordered separately. Use spring part number and add a -001 or -002. Such as 58193-001 main leaf. The number 3 leaf is available in addition to the main and wrapper leaves for the extended leaf spring, add -003, such as 45322-003.

** Hendrickson recommends the use of OTC installation tools for center bushing replacement.

*** Hendrickson's part number is stamped on the rod for identification. Be sure to include the suffix number when ordering, this number indicates rod length. Hendrickson's two-piece ULTRA ROD® can be used to create the desired length, see literature number 45745-148.

**** Transverse Rods (Key 48) are mandatory for all walking beam series suspensions with capacities of 44,000 lbs. through 52,000 lbs. when using rubber equalizing beam center bushings (Key 30), regardless of axle spacing. See Lit. No. 59310-004 for mandatory use of transverse rods.

***** Item included in assembly only, part not sold separately.





KEY NO.	PART NO.	DESCRIPTION	NO. REQ.	KEY NO.	PART NO.	DESCRIPTION	NO. REQ.
1		Forward Spring Hanger, Double Lock Pin See RT/RTE Hanger Selection Guide 45745-038	2	30		Rubber Center Bushing, Optional, Requires Transverse Rods **w/ Loose End Plug	2
2	43146-000	Pin – 1 ³ / ₈ " Diameter Double Lock	2	31	30437-000L	Bronze Center Bushing Service Kit, Two Beams Includes Key Nos. 32-36	
3	33117-000	Lube Fitting	2	32	30240-002	Bronze Center Bushing	2
	29828-035	Forward Hanger Lock Bolt Service Kit, One Hanger , Includes Key Nos. 4 - 6		33	14685-000	Beam Center Sleeve	2
4	24531-009	½"-13 UNC Bolt	4	34	30334-000	Beam Center Seal	4
5	22962-011	½" Washer	8	35	32365-000	Thrust Washer	8
6	49846-000	½"-13 UNC Locknut	4	36	30087-000	Lube Fitting	2
7	30057-008L	Bushing 1 ³ / ₈ " I.D.	2			Bar Pin End Bushing Service Kit, One Wheel End	
8		Rear Spring Hanger, See RT/RTE Hanger Selection Guide 45745-038	2	37	34013-087L	Non-Shim Type Includes Key Nos. 41a and Fasteners	
	29828-023	Rebound Bolt & Spacer Service Kit, One Hanger Includes Key Nos. 10-11		38	34013-088L	Shim Type Includes Key Nos. 39, 41b, and Fasteners	
9	22962-011	½" Hardened Washer	4	39		Shim	8
10	24531-005	½"-13 UNC Bolt	2		50130-000	0.19/0.19	
11	00194-000	Spacer	2		50131-000	0.25/0.12	
12	49846-000	½"-13 UNC Locknut	2	40		Rubber End Bushing and Adapter Service Kit, One Wheel End	
13		Extended Leaf Spring Hanger, See RT/RTE Hanger Selection Guide 45745-038	2		34013-050L	RT 503/523, RTE-503, Includes Key Nos. 42a, 43	
14	35064-000	Top Pad	2		34013-073L	RT/RTE 503, 5" Length Includes Key Nos. 42b, 43	
15	30550-	Bolt, Specify Length, Dim. 'A'	8		34013-051L	RT 523, 6" Length Includes Key Nos. 42b, 43	
16	22962-006	1" Washer	16			****Bar Pin End Bushing	4
17	08017-000	1"-14 UNS Locknut	8	41a		Non-Shim Type	
	35370-002	Set Screw Service Kit, One Set Includes Key Nos. 18-20		41b		Shim Type	
18	06813-000	¾"-10 UNC Square Head Set Screw	4			End Bushing Adapter Service Kit, One Wheel End	
19	17339-000	Set Screw Lockwasher	4	42a	21140-034L	RT/RTE 480-523, 5" Length	
20	17342-000	¾"-10 UNC Set Screw Locknut	4	42b	21140-033L	RT/RTE 520/523, 6" Length	
21a		*Spring Assembly	2	43		End Bushing	
	47057-000	RT 480-523			29878-001L	RT/RTE 480/503, 5" Length	4
21b	45322-000	RTE 480/503			45407-000L	RT/RTE 520/523, 6" Length	4
22	66662-001	Center Bolt, Cut to Length, <i>Replaces 05069-000</i>	2	44	60218-000	***Two-piece Torque Rod Assembly	2
23		Saddle Assembly, Dim. 'B' Includes Key Nos. 24-27	2	45	22186-000	Torque Rod Frame Bracket	2
	31017-053	Height 6", (Casting No. 32796)			42518-	**** Transverse Rod Assembly Kit, Axle Set Includes Key Nos. 46-49	
	31017-077	Height 7 ³ / ₁₆ ", (Casting No. 47476 or 47665)		46	45045-003	Backup Plate	2
	31017-108	Height 11", (Casting No. 50965)		47	22186-000	Transverse Rod Frame Bracket	2
24	58795-000	Saddle Cap, <i>Replaces 48545-000</i>	4	48	60215-000	****Two-piece Transverse Rod Assembly	2
25	06696-000	7/8"-14 UNF Saddle Cap Stud	8	49		Transverse Rod Axle Bracket, See 59310-004 for proper axle bracket and assembly instructions	2
26	22962-002	7/8" Saddle Cap Washer	8				
27	04842-000	7/8"-14 UNF Saddle Cap Nut	8				
28		See Equalizing Beam Assembly Selection Guide 45745-147	2				
29		Cross Tube – Diameter 2 ⁷ / ₁₆ "	1				
	44643-009L	RT/RTE 480/503, 44 ⁷ / ₈ " Length					
	07622-003	RT/RTE 520/523, 46" Length					

NOTE: Brackets for drive axles are supplied by the axle manufacturer.

* Specify spring assembly part number, located on side or top of spring clip (as shown in exploded view).

Individual spring leaves available: The number 1 (main leaf) and number 2 (wrapper leaf) can be ordered separately.

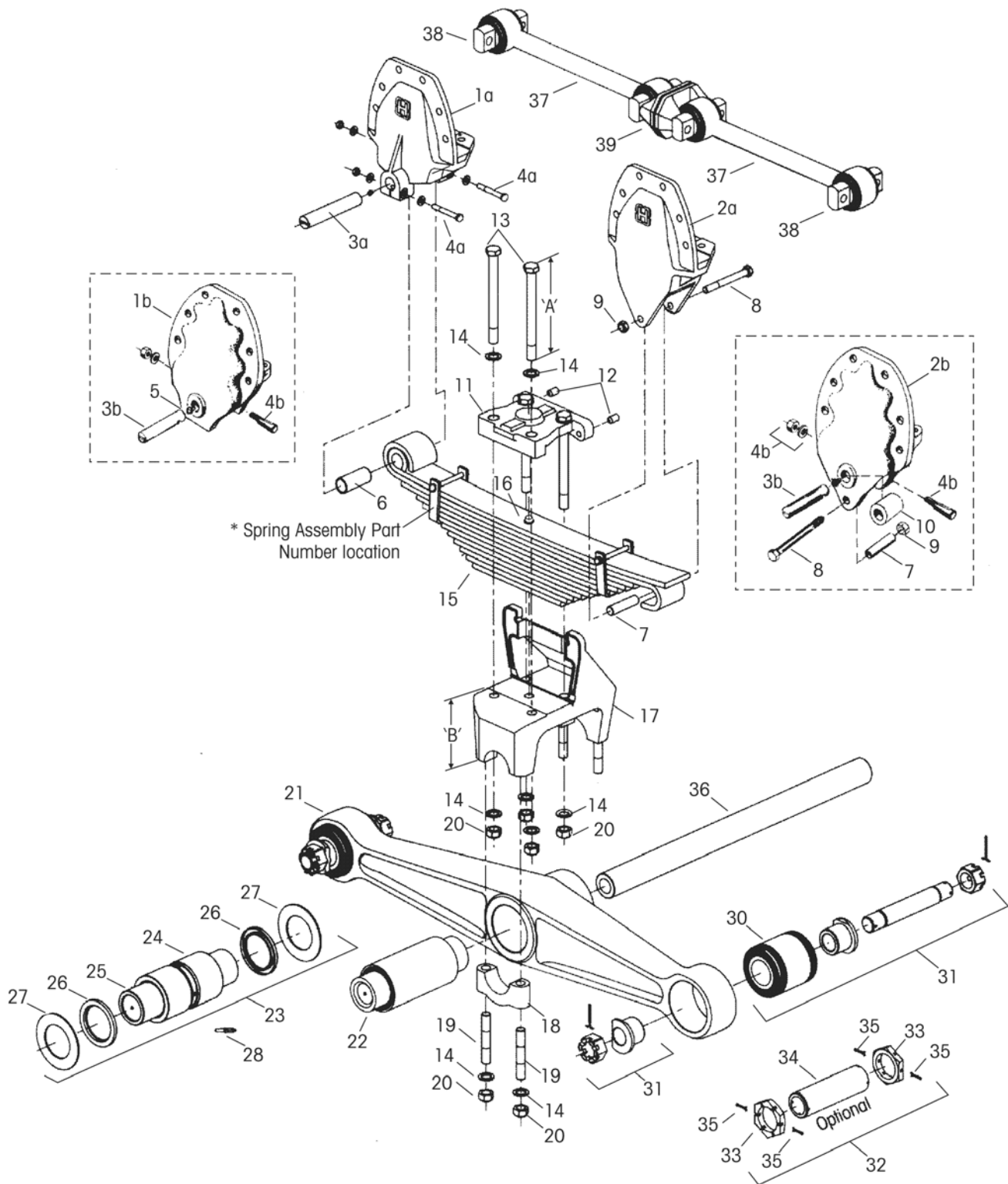
Use spring part number and add a -001 or -002. Such as 47057-001 main leaf. The number 3 leaf is available in addition to the main and wrapper leaves for the extended leaf spring, add -003, such as 45322-003.

** Hendrickson recommends the use of OTC installation tools for center bushing replacement.

*** Hendrickson's part number is stamped on the rod for identification. Be sure to include the suffix number when ordering, this number indicates rod length. Hendrickson's two-piece ULTRA ROD® can be used to create the desired length, see literature number 45745-148.

**** Transverse Rods (Key 48) are mandatory for all walking beam series suspensions with capacities of 44,000 lbs. through 52,000 lbs. when using rubber equalizing beam center bushings (Key 30), regardless of axle spacing. See Lit. No. 59310-004 for mandatory use of transverse rods.

***** Item included in assembly only, part not sold separately.





KEY NO.	PART NO.	DESCRIPTION	NO. REQ.	KEY NO.	PART NO.	DESCRIPTION	NO. REQ.
1a, 1b		Forward Spring Hanger See RT/RTE Hanger Selection Guide 45745-038	2	21		Equalizing Beam Assembly See Selection Guide 45745-147	2
2a, 2b		Rear Spring Hanger See RT/RTE Hanger Selection Guide 45745-038	2	22	10366-000L	Rubber Center Bushing	2
3a	45797-000	Pin 1½" Diameter Double Lock	2	23	45374-000	Bronze Center Bushing Service Kit, Two Beams Includes Key Nos. 24-28	2
3b	00005-000	Pin 1½" Diameter Drawkey Lock	4	24	30240-005	Bronze Center Bushing	2
4a	46825-001	Forward Hanger Lock Bolt Service Kit	2	25	25102-000	Sleeve	2
4b	00081-001	Forward Hanger Drawkey Assembly with Fasteners	4	26	31577-000	Seal	4
5	33117-000	Lube Fitting	As Req.	27	45261-000	Thrust Washer	4
6		Spring Eye Bushing	2	28	30087-000	Lube Fitting	2
	22285-000	Bronze 1½" I.D.		29	34013-052	Rubber End Bushing and Adapter Service Kit, Tandem Set Includes Key No. 30 (Part No. 10363-000) and Key No. 31 (Part No. 21440-007)	
	50592-000	Steel Bushing 1½" I.D.			34013-072	Rubber End Bushing and Tube/Nut Service Kit, One Wheel End, Includes Key No. 30 (Part No. 10363-000) and Key Nos. 33-35	
	29828-033	Rebound Bolt & Spacer Service Kit, One Hanger, Includes Key Nos. 7-9		30		End Bushing	4
7	02276-000	Rebound Bolt Spacer	4		10363-000L	6" Length	
8	21867-023	¾"-16UNF Bolt, 6.5" Length	4		10364-000	7" Length	
9	30191-000	¾"-16UNF Locknut	4	31		Adapter Service Kit, One Wheel End	
10	00003-000	Pin Roller— Key No. 2a Hanger	2		21140-007	for 6" Bushing	
11	19199-000	Top Pad 8 ⁹ / ₁₆ " (Casting No. 35431 or 48491), <i>Replaces 45112-000</i>	2		21140-027	for Center Tube and 6" Bushing	
12	19201-002	Internal Hex Head Set Screw	4		21140-031	for Chamfered Nut and 6" Bushing	
13	30550-	Bolt, Specify Length—Dim. 'A'	8		21140-004	for 7" Bushing	
14	22962-006	Washer	24		21140-026	for Center Tube and 7" Bushing	
15		*Spring Assembly, Includes Key No. 6	2		21140-043	for Hex Nut and 7" Bushing	
	02056-000	Spring Rate 29,400 (Bronze Bushing)		32	21140-006	Threaded Tube/Nut Service Kit, One Wheel End Includes Key Nos. 33-35	
	27535-000	Spring Rate 27,300		33	10371-000	Threaded Nut	8
	57961-000	Spring Rate 44,400		34	10372-000	Beam Hanger Tube	4
	58596-000	Spring Rate 29,400 (Steel Eye Bushing)		35	17800-010	Cotter Pin	16
16	66662-001	Center Bolt, Cut to Length, <i>Replaces 05069-000</i>	2	36	10397-	Cross Tube —Specify Length	4
17		Saddle Assembly, Dim. 'B' Includes Key Nos. 14, 19-20	2	37	72100-000	**Torque Rod Assembly, 5¼" Bolt Spacing, <i>Replaces 45577-000</i>	2
	31017-004	7½" (Casting No. 15784, 46895 or 48497)		38	64400-003	Torque Rod Bushing, <i>Replaces 48304-000</i>	4
	31017-071	9 ³ / ₈ " (Casting No. 15784 or 46673-001)		39	46015-000	Torque Rod Frame Bracket 5¼" Bolt Spacing	2
	31017-070	10½" (Casting No. 15784 or 46673-002)					
	31017-069	11½" (Casting No. 15784 or 46673-002)					
18	15785-000	Saddle Cap	4				
19	10948-000	1"-14 UNS Saddle Cap Stud	8				
20	08017-000	1"-14 UNS Locknut	16				

NOTE: Brackets for drive axles are supplied by the axle manufacturer.

* Specify spring assembly part number, located on side or top of spring clip, (as shown in exploded view).

Individual spring leaves available: The number 1 (main leaf) and number 2 (wrapper leaf) can be ordered separately.

Use spring part number and add a -001 or -002, such as 02056-001 main leaf.

** Hendrickson's part number is stamped on the torque rod for identification. Be sure to include the suffix number when ordering, this number indicates rod length.

This is a general parts list to provide directional information. Components may vary by model. For part questions, contact Hendrickson Sales Engineering at 630.910.2800 (email: truckparts@hendrickson-intl.com).

www.hendrickson-intl.com



Truck Suspension Systems
800 South Frontage Road
Woodridge, IL 60517-4904 USA

630.910.2800
Fax 630.910.2899