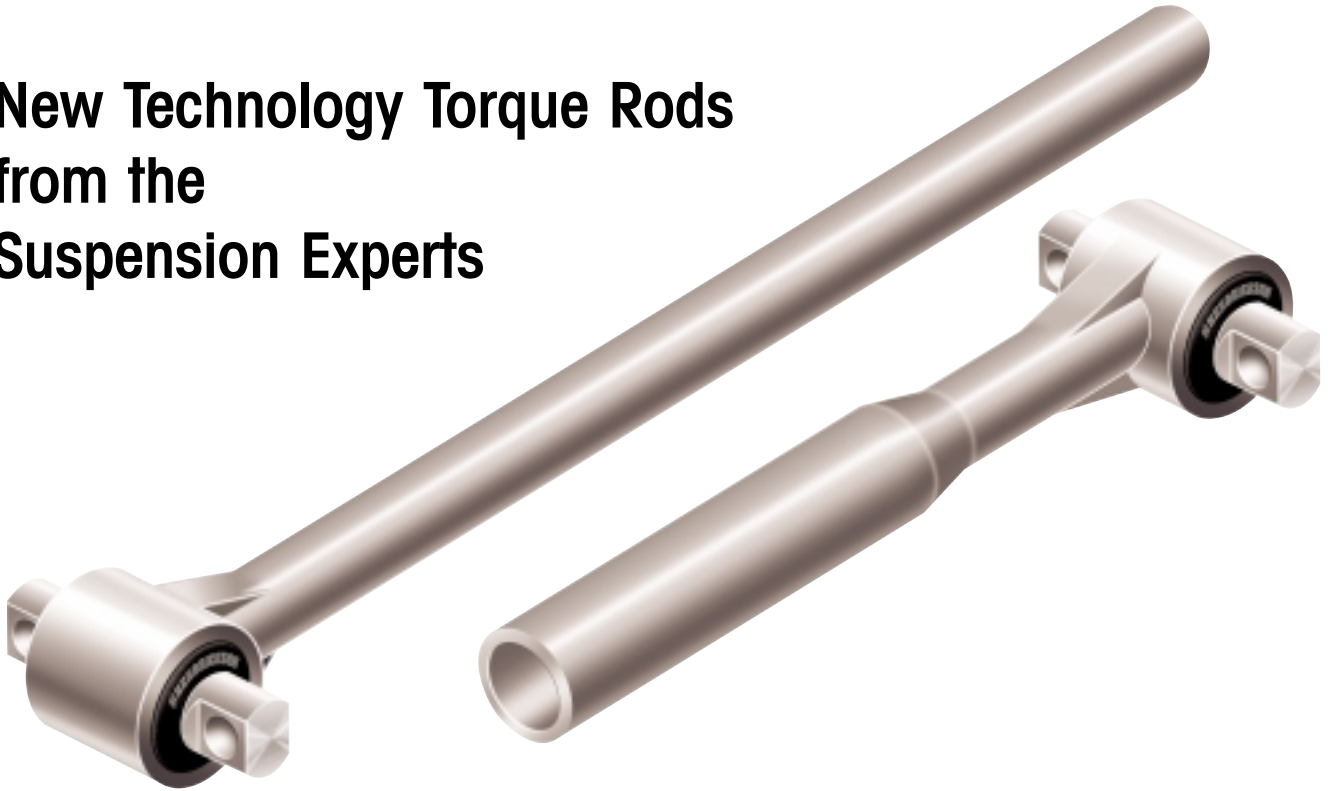
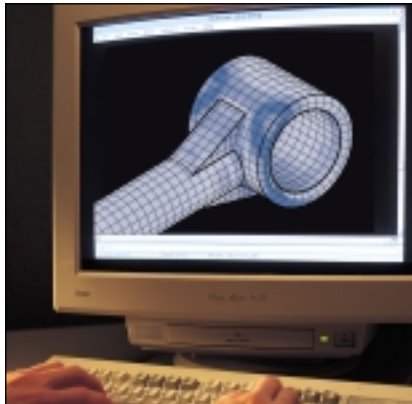


New Technology Torque Rods from the Suspension Experts



Lighter Weight:

Through computer-optimized design, Ultra Rod is lighter and more compact than conventional torque rods.

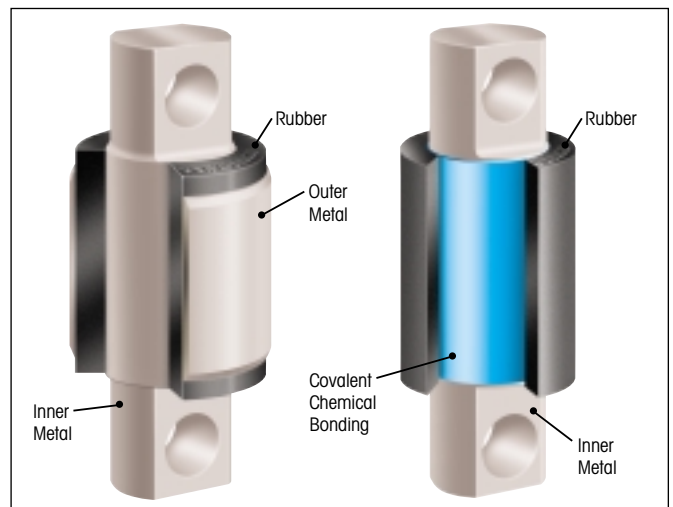


Greater Structural Integrity:

The rod ends are integrally forged with the shaft. On the two piece coupling end, the connection tube is forged out of the shaft, eliminating the assembly weld.

More Durable Bushings: Friction occurs when the rubber insert slips around the inner metal. This friction causes heat that contributes to the rubber deterioration. Bonding the inner metal of the bushing to the rubber eliminates the potential of slippage. By eliminating friction-generated heat, Hendrickson has been able to extend the product service life.

Easy To Rebush: Bonded bushings eliminate the outer metal sleeve, making rebushing faster and easier—with no special tools required. Because Ultra Rod shaft diameters are the same as the former two piece rods, existing inventory can be used with the new design.











Conventional bushings (left) use outer metal sleeves to compress rubber bushings onto metal shafts. Ultra Rod's bonded bushing molecularly bonds rubber bushing to metal shaft—eliminating the outer metal.

For The Road Ahead

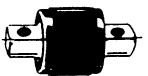
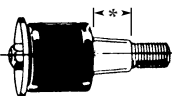
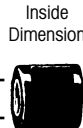

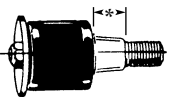
NEW TECHNOLOGY TORQUE RODS FROM THE SUSPENSION EXPERTS.

ULTRA ROD TWO PIECE COMBINATIONS

TUBE END	**SPACER END	27"	35"	
		66661-000H	66660-000H	Straddle
66610-000H		66691-000H	66690-000H	Straddle— Taper Stud (Length 1 7/8"—Mack Only)
		66671-000H	66670-000H	Straddle— Taper Stud (Length 2")
66620-000H		66671-000H	66670-000H	Taper Stud— Can Install In Up (Length 2") Or Down Position
66769-000H		66691-000H	66690-000H	(Length 1 7/8") Mack Only
*66640-000H				For Navistar Only
66610-000H		66701-000H	66700-000H	Navistar Straddle— Inner Sleeve
66650-000H				Standard Straddle— Inner Sleeve
				Inner Sleeve— Inner Sleeve

NOTE: * 66640-000H has offset holes and is not interchangeable with 66610-000H.
 ** Spacer Ends required for assemblies up to 27" and 35" centers.

REPLACEMENT CARTRIDGES FOR ULTRA ROD TWO PIECE TORQUE RODS

STRADDLE	TAPER	THRU BOLT
 [47691-000H]	 [*2" Stud: 64809-000H]	 Inside Dimension 1 1/8" [Navistar Inner Sleeve: 65477-000H]
 [Navistar Straddle: 66734-000H (Offset Pin)]	 [*1 7/8" Mack Stud: 66735-000H *Taper Stud Length]	

