

H[®] TECHNICAL BULLETIN

RT SERIES

SUBJECT: RT/RTE Series Saddles
Up to 46K Capacity

LIT NO: SEU-9504

DATE: August 2003 **REVISION:** B

UPDATE

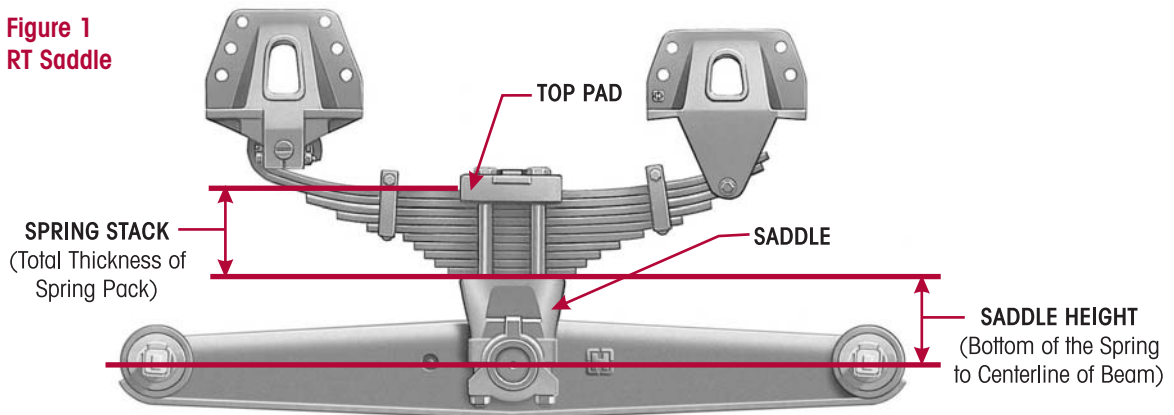
HENDRICKSON HAS MADE A CHANGE TO THE RT SERIES SADDLES

Hendrickson has made a change to the RT Series saddles to improve durability and reduce weight. Because of these changes, we have released new casting part numbers, as shown below. The previous 7.19" saddle accommodated both the low spring stack, 5.25" to 7.0" (RT-403) and the high spring stack, 6.57" to 7.32" (RT-463) spring assemblies. These improved designs now have unique castings and part numbers for RT-403 and RT-463 with 7.19" saddles. The 6" saddles retain the same part number, but also have new casting numbers. The casting number is located on the backside of the saddle. The extended leaf or RTE-403 (*low spring stack height*) and RTE-463 (*high spring stack height*) are also affected by this change.

- The new castings **MUST** be used with the **35064 top pad, casting number 47880**. The old castings are no longer available.

For more information about this product please contact your local Hendrickson parts supplier, truck dealer or see our website www.hendrickson-intl.com for more information on Hendrickson products and literature.

Figure 1
RT Saddle



	SADDLE HEIGHT	OLD PART NO.	OLD CASTING	NEW PART NO.	NEW CASTING	SPRING STACK
403 SERIES	6.00"	31017-022	42933-000	31017-022	57167	5.50" to 6.38"
403 SERIES	7.19"	31017-006	32102-001	31017-109	57143	5.25" to 7.0"
463 SERIES	6.00"	31017-096	45605-000	31017-096	57457	6.50" to 7.38"
463 SERIES	7.19"	31017-006	32102-001	31017-110	57155	6.57" to 7.32"



Information contained in this literature was accurate at the time of publication. Product changes may have been made after the copyright date that are not reflected.

No. SEU-9504 Rev B 2M 07-03 Printed in United States of America

Truck Suspension Systems
800 South Frontage Road
Woodridge, IL 60517-4904 USA

630.910.2800
Fax 630.910.2899

www.hendrickson-intl.com

The Boler Company.
Copyright © 2003
All Rights Reserved