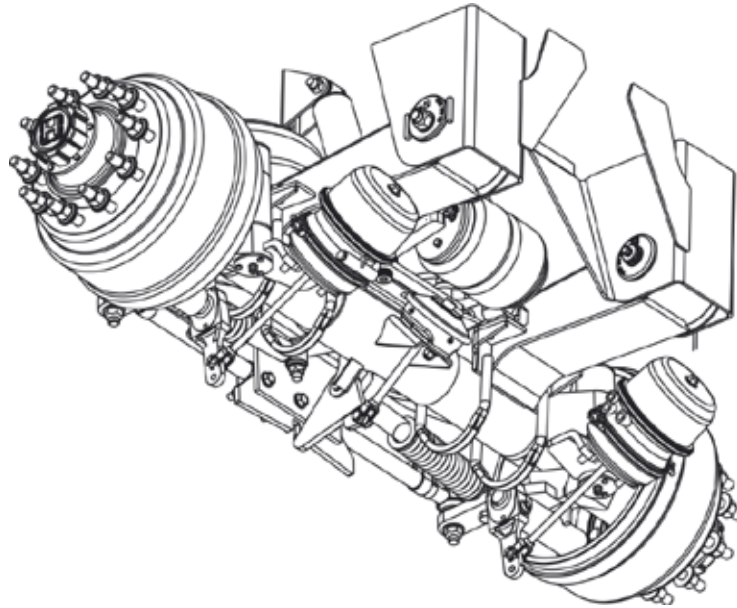


PARTS LIST

KGI STEERABLE AXLE

LIT NO: 97114-073

DATE: December 2016 REVISION: A



SECTION	PAGE
Introduction	2
Axle Identification	2
Axle Assembly.....	3
S-Cam & Hardware	4
S-Cam Identification	4
Drum Brake Shield & Hardware	5
Steering Knuckle & Spindle Assembly	6
King Pin.....	7
Steering Damper & Hardware	8
Tie Rod	9
Reverse Lockout Hardware.....	10
Reverse Lockout Pneumatic System	11
Self-Centring Hardware	12
Self-Centring Mounts.....	13
Self-Centring Pneumatic System.....	14

Introduction

The purpose of this parts list is to document the available repair parts available for the KGI steerable axle assemblies as supplied by Hendrickson Asia Pacific Pty Ltd.

This parts list should be used in conjunction with the following Hendrickson parts listings:

- 97114-100 Trailer Wheel End Systems Parts List
- 97114-097 Trailer Brake Systems Parts List

NOTE: All quantities listed within this parts list are as applicable for a single axle.

This parts list supports the common KGI steerable axle assemblies available from Hendrickson Asia Pacific Pty Ltd at time of publication and may not provide detail of all variants available, either currently or previously on a special order basis.

Hendrickson Asia Pacific Pty Ltd reserves the right to make changes and improvements to its products and publications at any time. Consult the Hendrickson website (www.hendrickson.com.au) for the latest version of this parts list.

Should doubt exist regarding the configuration of a specific KGI steerable axle, or assistance be required to determine the correct repair parts, please contact Hendrickson Customer Assistance on 03 8792 3600.

Axle Identification

To assist with the identification of a KGI steerable axle assembly, reference should be made to the axle identification plate (refer to figure 1).



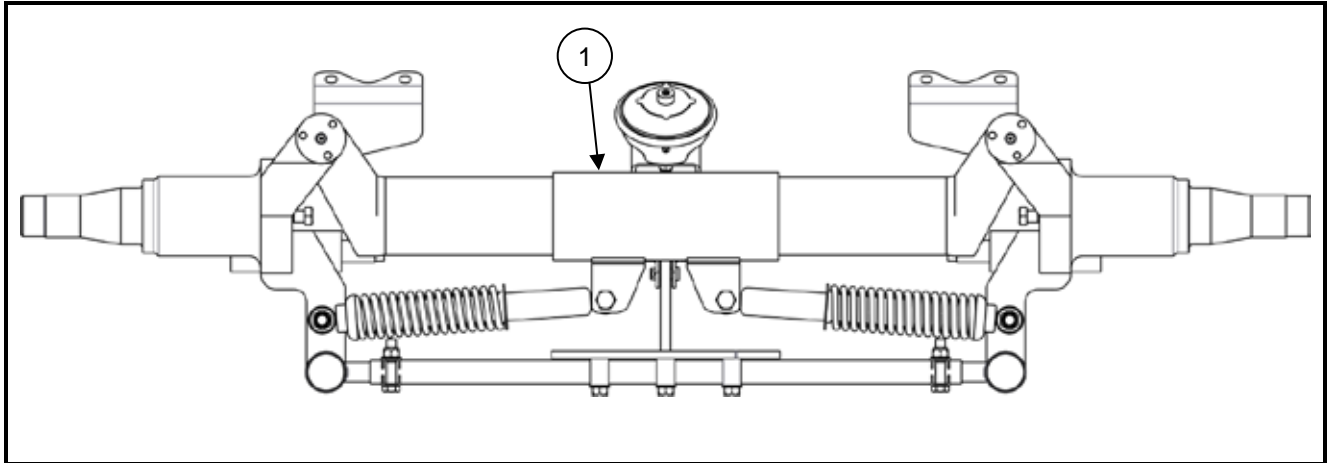
KGS230

Figure 1

The axle ID plate is usually located centrally on the forward side of the axle tube and provides the following key information:

- MODEL
- AXLE SERIAL NUMBER

Axle Assembly



Item	Part Number	Description	Qty	Notes
1	98785-132	KGS230 Axle Assy, Steerable – 73 Inch Track	1	15 Inch Drum Brake
	98785-125	KGS230 Axle Assy, Steerable – 73 Inch Track	1	16.5 Inch Drum Brake
	NLA	KGS250 Axle Assy, Steerable – 73 Inch Track	1	16.5 Inch Drum Brake
	98785-052	KGS230 Axle Assy, Steerable – 83.5 Inch Track	1	430 mm Disc Brake

NOTE: All drum brake steerable axle assemblies include S-Cams.

NOTE: 98785-125 includes Haldex 6.0 Inch automatic slack adjusters and Dust Shields. This axle does not include brake shoes.

S-Cam & Hardware

S-Cam Identification

To identify the correct S-Cam fitted to KGI steerable axles, the shaft length (refer to dimension A in Figure 1) and slack adjuster spline configuration must be determined (refer to Item 1 in Figure 1).

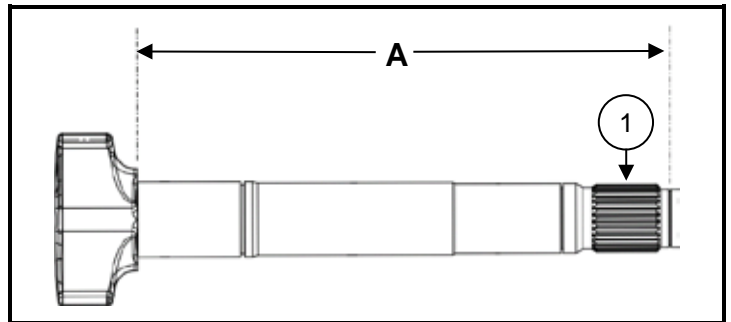
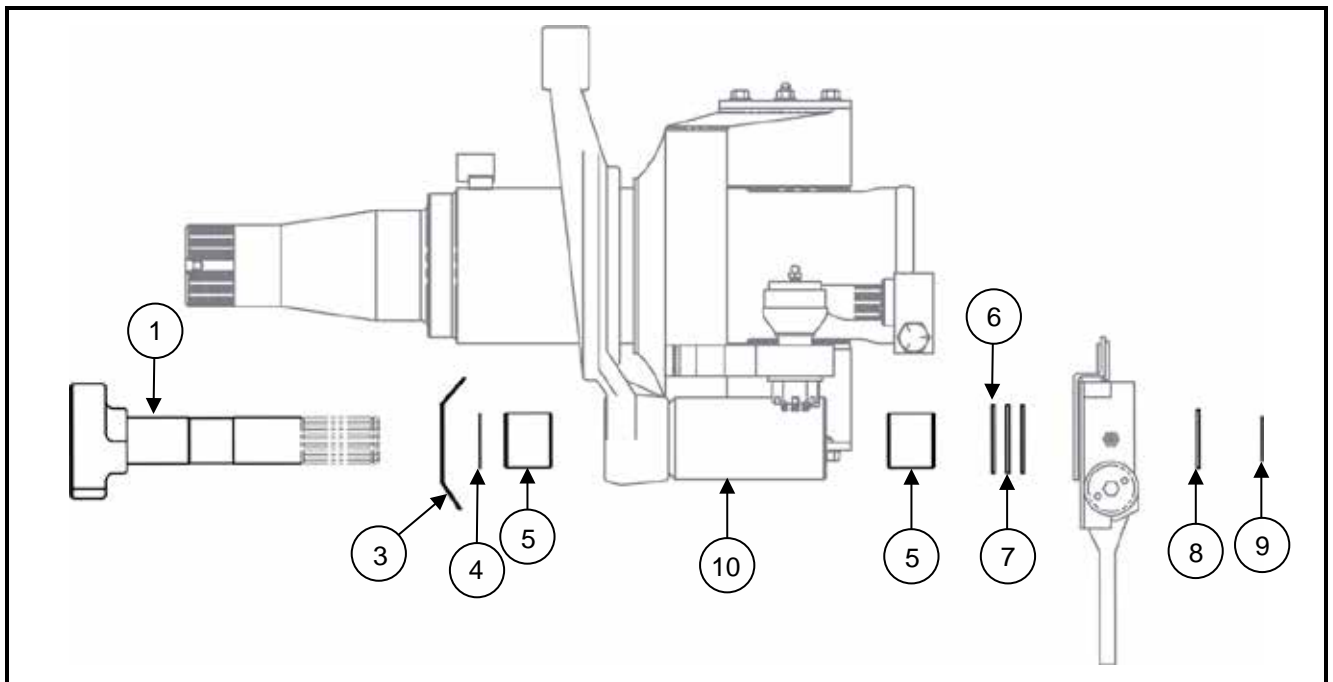
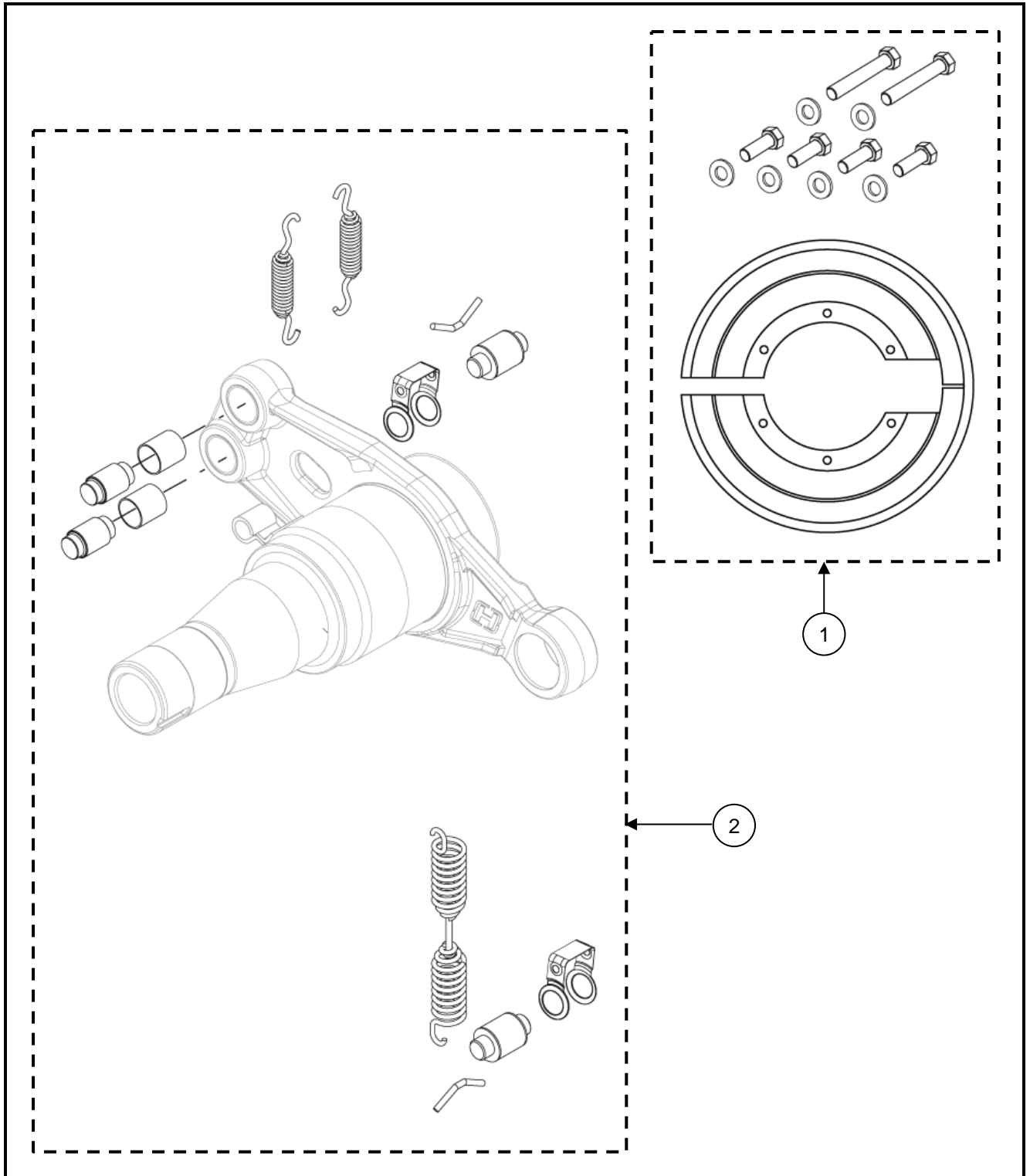


Figure 1



Item	Part Number	Description	Qty	Notes
1	98785-154	S-Cam, 10 Spline – LH - KB750	1	7-7/8 Inch (200 mm) Long
	98785-155	S-Cam, 10 Spline – RH - KB750	1	7-7/8 Inch (200 mm) Long
	98785-156	S-Cam, 10 Spline – LH - KB750A	1	9-3/4 Inch (248 mm) Long
	98785-157	S-Cam, 10 Spline – RH - KB750A	1	9-3/4 Inch (248 mm) Long
	98785-127	S-Cam, 28 Spline – LH - KB750B (Q Plus)	1	9-3/4 Inch (248 mm) Long
	98785-128	S-Cam, 28 Spline – RH - KB750B (Q-Plus)	1	9-3/4 Inch (248 mm) Long
2	98785-140	Repair Kit, – 10 Spline S-Cam Hardware	1	Not Illustrated. Includes Items 3, 4, 5, 6, 7, 8 & 9.
	98785-130	Repair Kit, – 28 Spline S-Cam Hardware	1	
3	NSS	Washer – S-Cam Head	2	Use Item 2.
4	NSS	Seal, Single Lip – S-Cam	2	Use Item 2.
5	NSS	Bushing, Brass – S-Cam	4	Use Item 2.
6	NSS	Clip, Retaining – S-Cam	2	Use Item 2.
7	NSS	Shim, Slack Adjuster – 1.5" ID x 2.25" OD x 0.06"	AR	Use Item 2.
	NSS	Shim, Slack Adjuster – 1.5" ID x 2.25" OD x 0.12"	AR	Use Item 2.
8	NSS	Hardened Washer – Slack Adjuster	2	Use Item 2
9	NSS	Clip, Retaining – Slack Adjuster	2	Use Item 2
10	98785-138	Cam Tube, KA373B-5	2	Includes grease nipple, (not shown) and one bush.
	98785-139	Cam Tube, KA357	2	

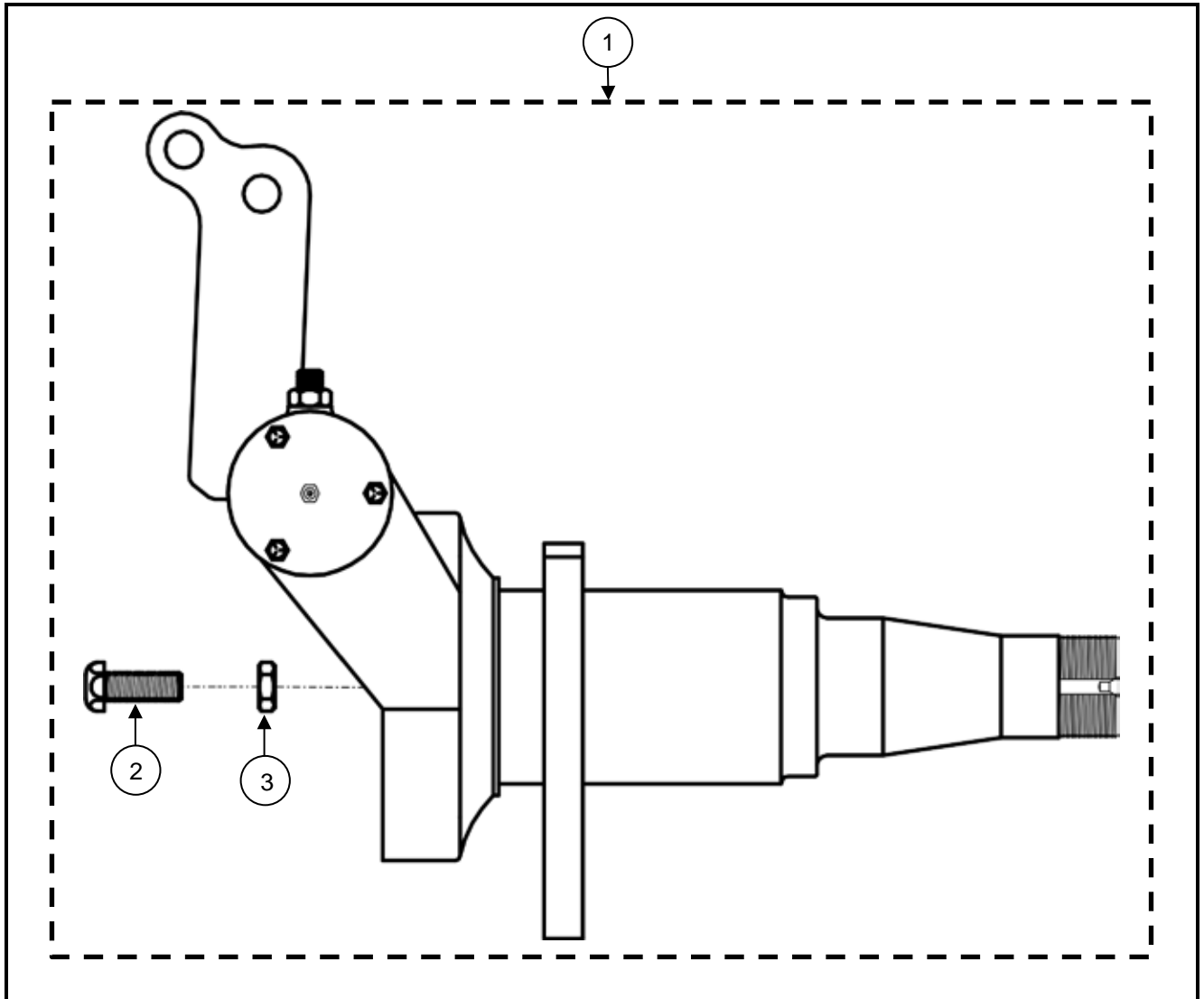
Drum Brake Shield & Hardware



Item	Part Number	Description	Qty	Notes
1	98785-126	Kit, Dust Shield – Drum Brake	2	16.5 x 7 Inch Drum Brake
2	S-23752	Kit, Drum Brake Hardware	2	

NOTE: Brake dust shield is not fitted on 16.5 x 8-5/8 Drum Brakes.

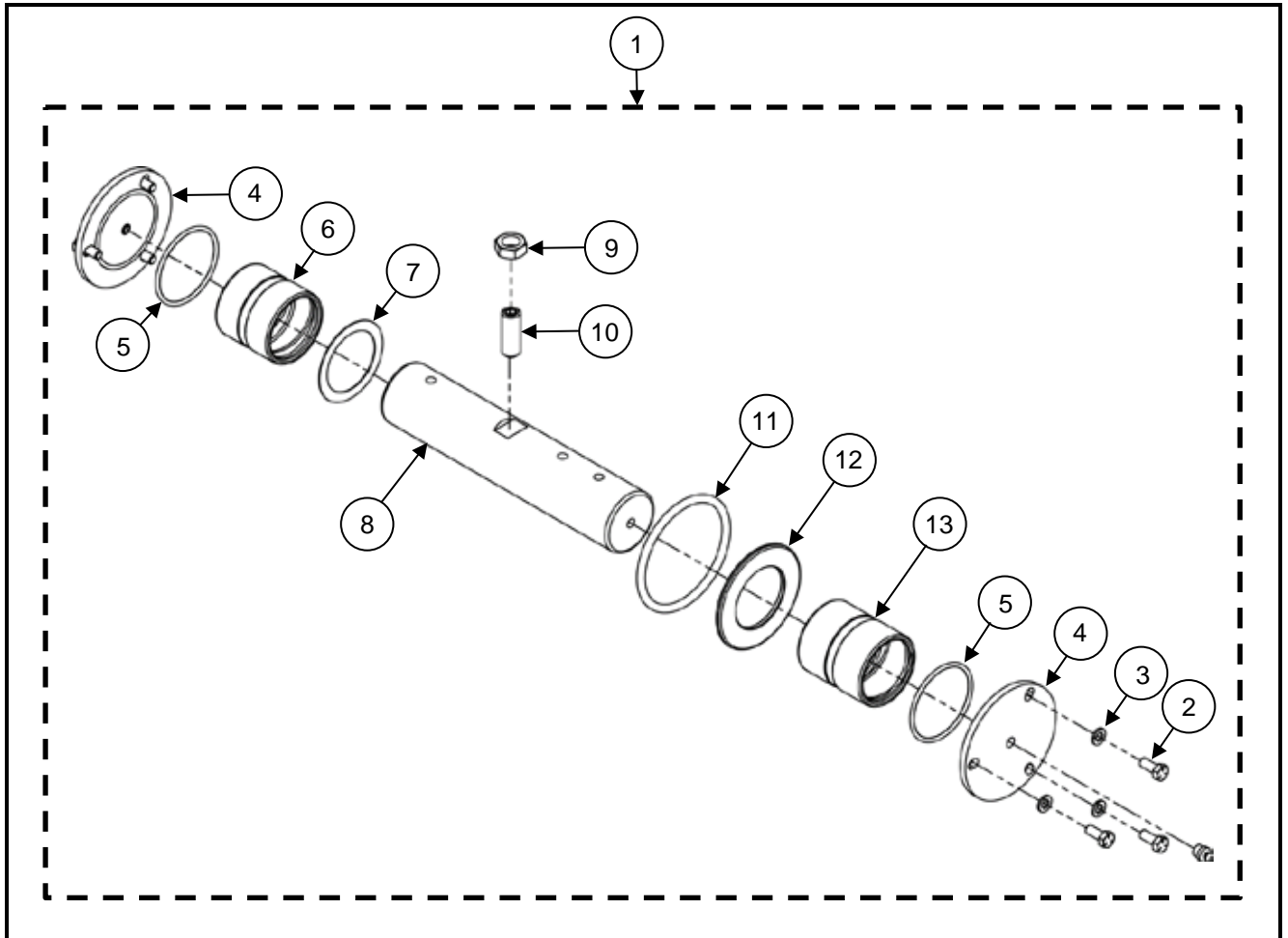
Steering Knuckle & Spindle Assembly



Item	Part Number	Description	Qty	Notes
1	98785-152	Steering Knuckle & Spindle Assy – LH	1	Disc Brake
	98785-153	Steering Knuckle & Spindle Assy – RH	1	Disc Brake
	98785-161	Steering Knuckle & Spindle Assy – LH	1	16.5 Inch Drum Brake (98785-125)
	98785-162	Steering Knuckle & Spindle Assy – RH	1	16.5 Inch Drum Brake (98785-125)
2	NSS	Bolt, Steering Stop – 3/4 UNF x 2 Inch	2	
3	NSS	Jam Nut, Steering Stop – 3/4 UNF	2	

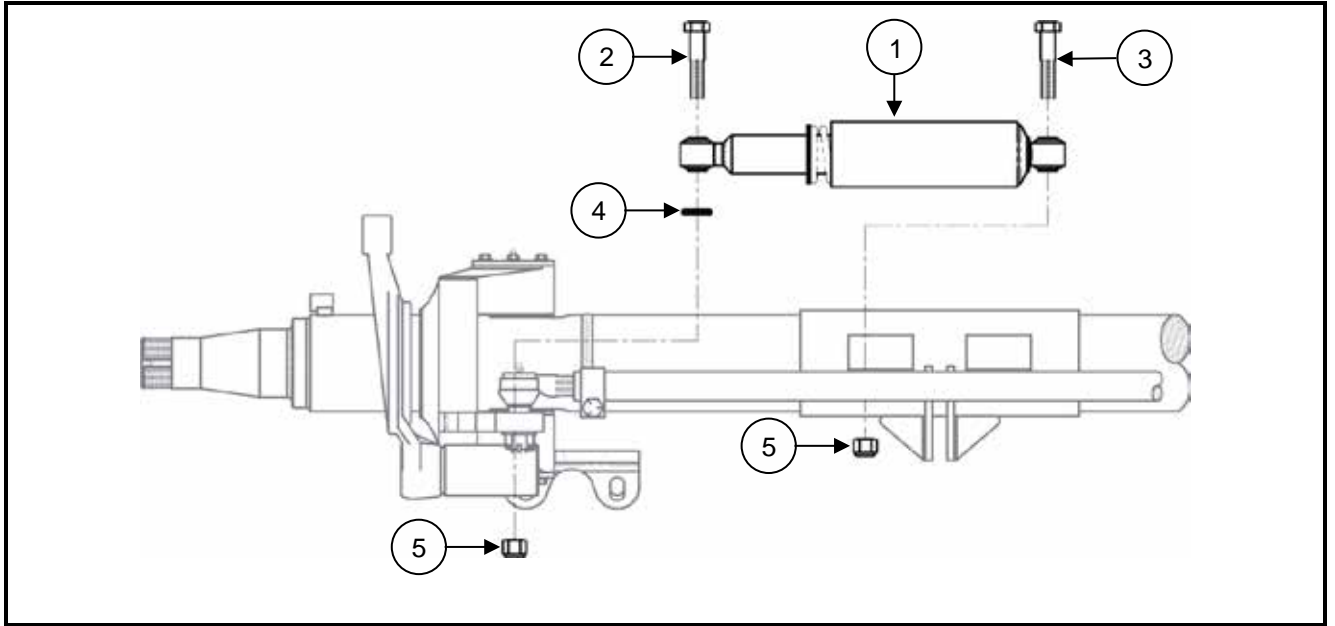
NOTE: All steering knuckle & spindle assemblies listed are supplied with the king pin bushes and caps pre-installed.
 The king pin, thrust bearings and O-ring are NOT included. Hendrickson recommend the replacement of the king pin and associated bearings in instances where a new steering knuckle and spindle assembly is being installed.

King Pin



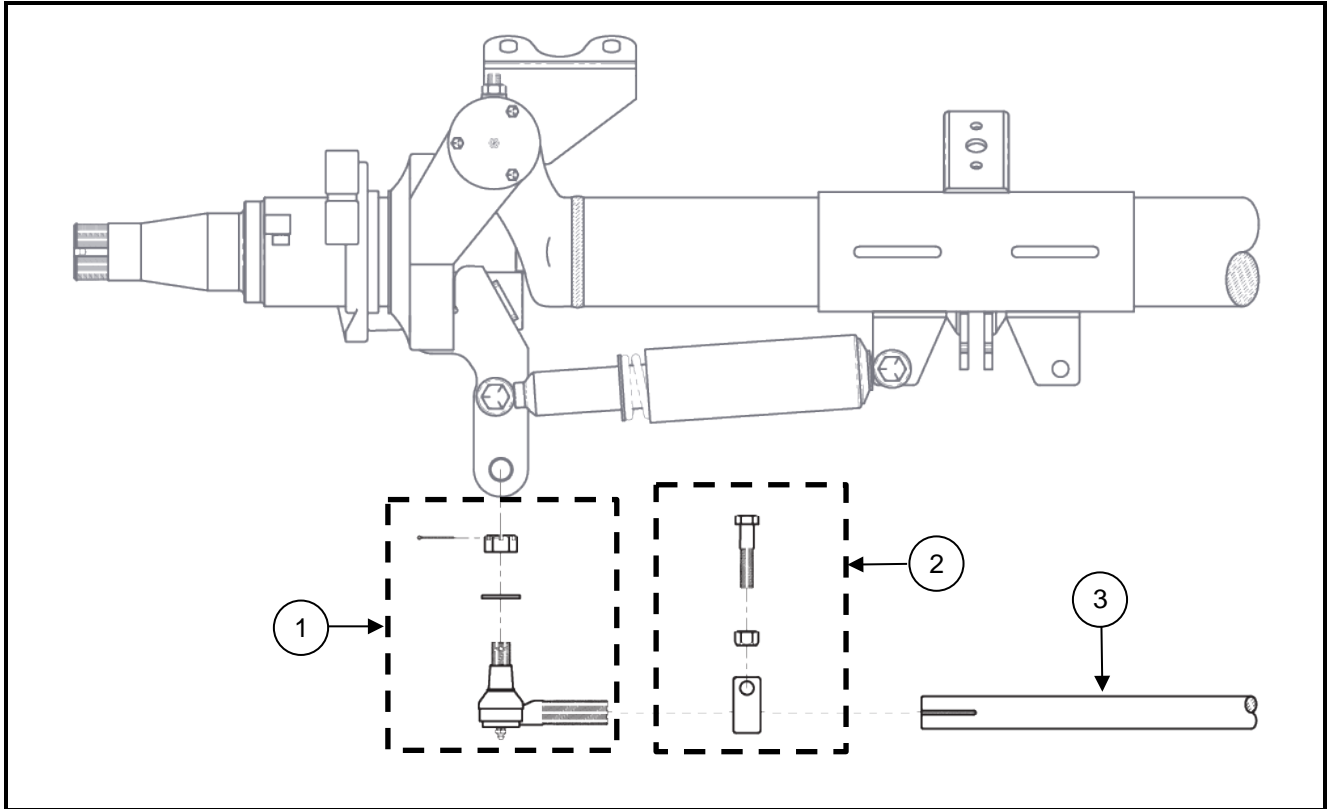
Item	Part Number	Description	Qty	Notes
1	98785-068	Kit, King Pin – Steerable Axle	1	To Suit KGS230
	98785-069	Kit, King Pin – Steerable Axle	1	To Suit KGS250
2	NSS	Bolt, Dust Cap – 5/16 UNF x 3/4 Inch	12	Use Item 1.
3	NSS	Washer, Lock – 5/16	12	Use Item 1.
4	NSS	Cap, Dust – King Pin	4	Use Item 1. Includes grease fitting.
5	NSS	O-Ring, Dust Cap	4	Use Item 1.
6	NSS	Bushing, King Pin – Upper	2	Use Item 1.
7	NSS	Thrust Washer, Upper	2	Use Item 1.
8	NSS	King Pin	2	Use Item 1.
9	NSS	Nut, Jam – 5/8 UNC	2	Use Item 1.
10	NSS	Set Screw, Allen Head – 5/8 UNC x 3/4 Inch	2	Use Item 1.
11	NSS	O-Ring, Thrust Bearing	2	Use Item 1.
12	NSS	Thrust Bearing, Lower	2	Use Item 1.
13	NSS	Bushing, King Pin – Lower	2	Use Item 1.
14	NSS	Grease Fitting, Straight – 1/8 NPT	2	Use Item 1.

Steering Damper & Hardware



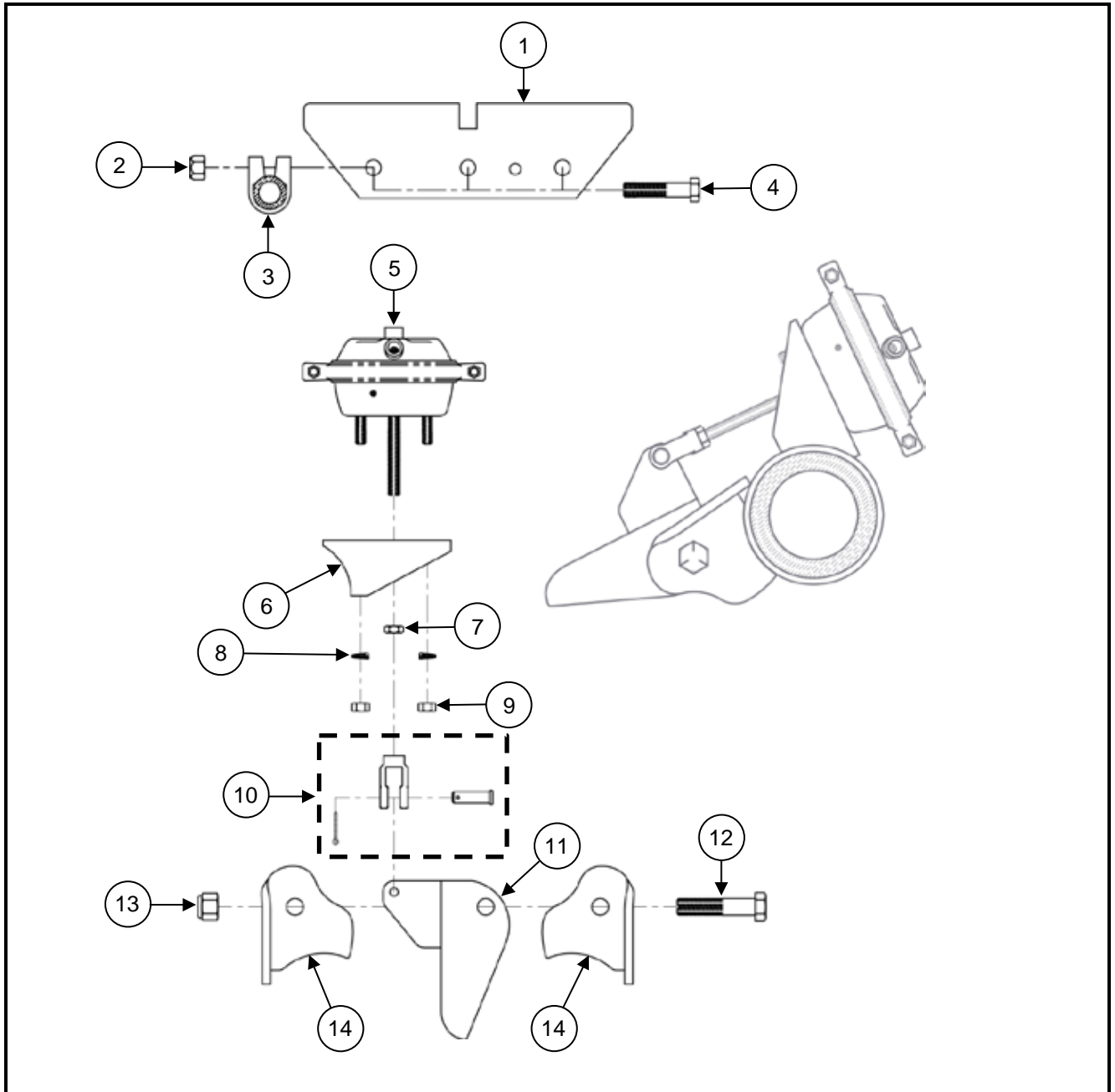
Item	Part Number	Description	Qty	Notes
1	98583-026	Steering Damper Assy	2	
2	NSS	Bolt, Damper – 3/4 UNC x 4-1/4 Inch Long	2	
3	NSS	Bolt, Damper – 3/4 UNC x 3-1/4 Inch Long	2	
4	NSS	Spacer, Steering Damper	2	
5	NSS	Nut, Nyloc – 3/4 UNC	4	

Tie Rod



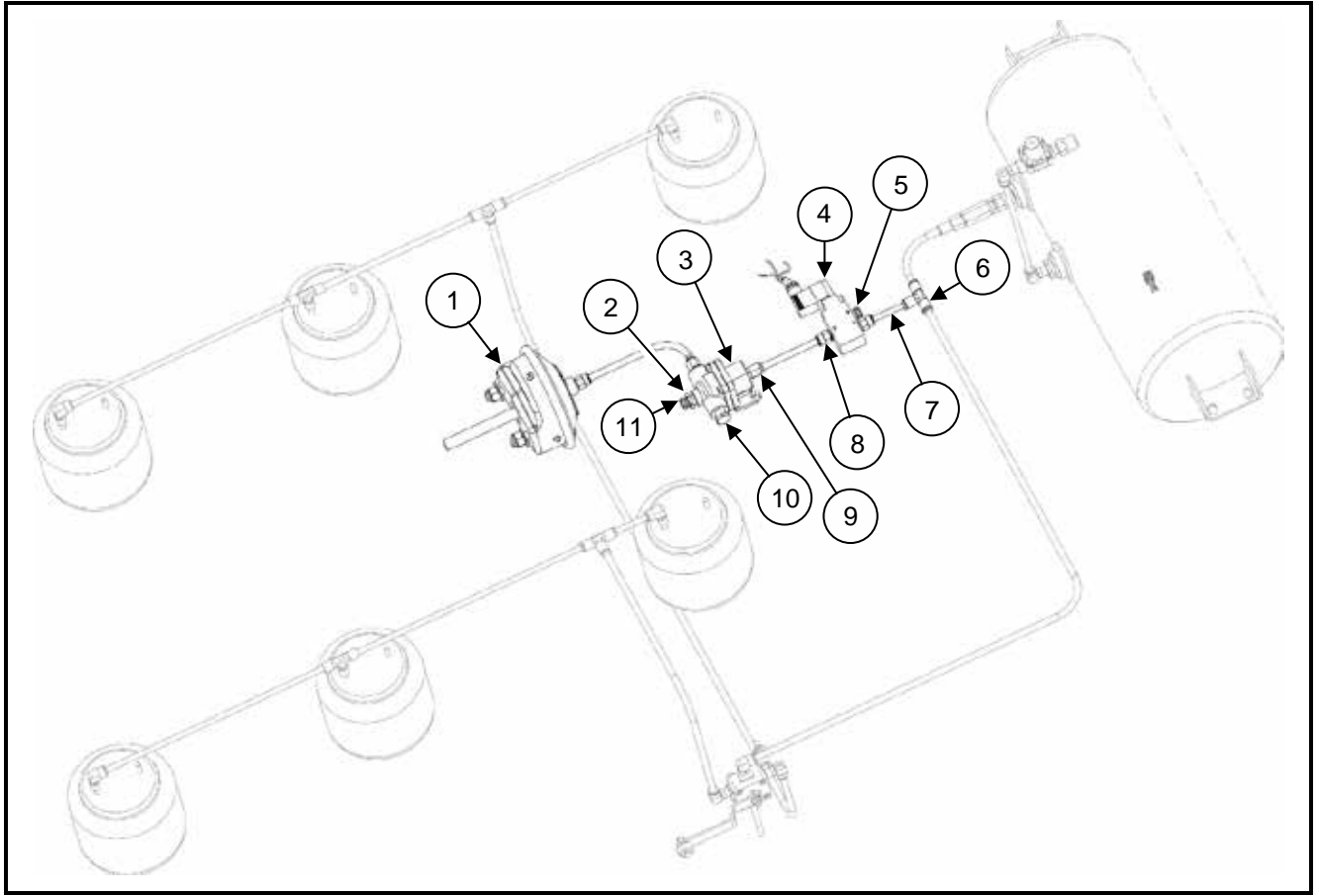
Item	Part Number	Description	Qty	Notes
1	98785-060	Kit, Tie Rod End – LH & RH	1	
	98785-141	Kit, Tie Rod End – LH – 1-1/4 Inch	1	
	98785-142	Kit, Tie Rod End – RH – 1-1/4 Inch	1	
2	98870-172	Clamp, Tie Rod End – 1.5 Inch ID	2	Includes Bolt & Nut.
	98870-070	Clamp, Tie Rod End – 2.0 Inch ID	2	Includes Bolt & Nut.
3	98785-135	Tie Rod, 1.5 Inch OD x 37 Inch (940mm) Long	1	
	98785-061	Tie Rod, 2.0 Inch OD x 34 Inch (860mm) Long	1	Includes Item 2.

Reverse Lockout Hardware



Item	Part Number	Description	Qty	Notes
1	TBA	Plate – Reverse Lockout	1	
2	NSS	Nut, Tie Rod Clamp – 5/8 UNC Grade 5	3	
3	NSS	Clamp, Tie Rod to Plate	3	
4	32043-008	Bolt, Tie Rod Clamp – 5/8 UNC x 3-1/4 Inch	3	
5	TBA	Chamber, Air – Reverse Lockout Latch	1	
6	NSS	Bracket, Air Chamber Mounting	1	
7	NSS	Jam Nut, Air Chamber Rod – 1/2 UNF	1	
8	NSS	Lock Washer, Air Chamber – 7/16	2	
9	NSS	Nut, Air Chamber – 7/16 UNC	2	
10	NSS	Clevis, Air Chamber Rod	1	Included in Item 5.
11	98785-136	Latch, Reverse Lockout	1	
12	32043-008	Bolt, Reverse Lockout Latch – 5/8" UNC x 4 Inch	1	
13	47764-000	Nut, Reverse Lockout Latch – 5/8" UNC	1	
14	NSS	Bracket, Lockout Latch Mounting, RH	1	
	NSS	Bracket, Lockout Latch Mounting, LH	1	

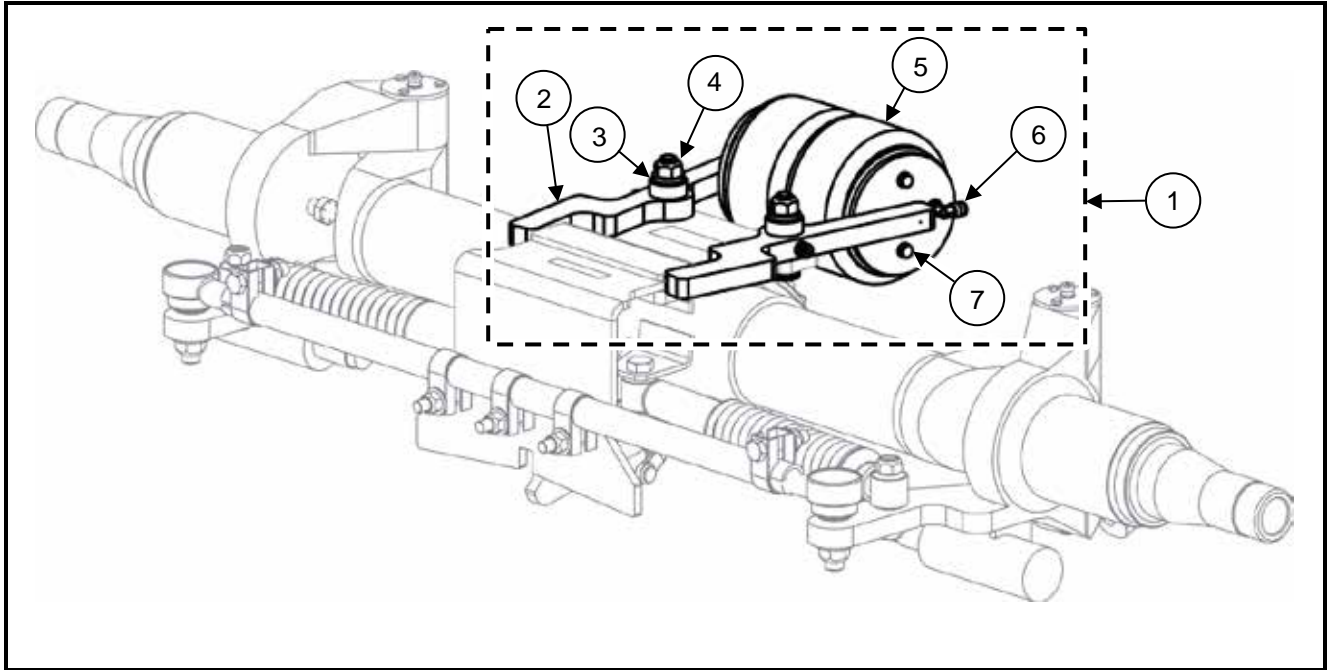
Reverse Lockout Pneumatic System



Item	Part Number	Description	Qty	Notes
1	TBA	Chamber, Air – Reverse Lockout Latch	1	
2	98934-020	Bush, Reducing – 3/8" Male x 1/4" NPT Female	1	
3	98732-024	Quick Release Valve	1	
4	98732-043	Solenoid Valve, 12V Electric	1	
5	98732-012	Silencer, Exhaust – 1/4" NPT Male	2	
6	98934-015	Air Fitting, Tee – 3/8" x 3/8" x 3/8" OD	1	
7	97009-004	Tube, Nylon – 3/8" OD x 4 Metre	1	
8	98732-019	Connector, Air – 3/8" OD Tube x 1/4" NPT Male	3	Single Steer
	98732-019	Connector, Air – 3/8" OD Tube x 1/4" NPT Male	4	Twin Steer
9	98934-019	Connector, Air – 3/8" OD Tube x 3/8" NPT Male	2	Single Steer
	98934-019	Connector, Air – 3/8" OD Tube x 3/8" NPT Male	3	Twin Steer
10	98934-021	Plug, Hex – 3/8" NPT	1	Single Steer
11	98606-071	Pneumatic Kit, Reverse Lockout – Single Steer		Not Illustrated. Includes Items 2 to 10
	98606-070	Pneumatic Kit, Reverse Lockout – Twin Steer		Not Illustrated. Includes Item 2 to 9

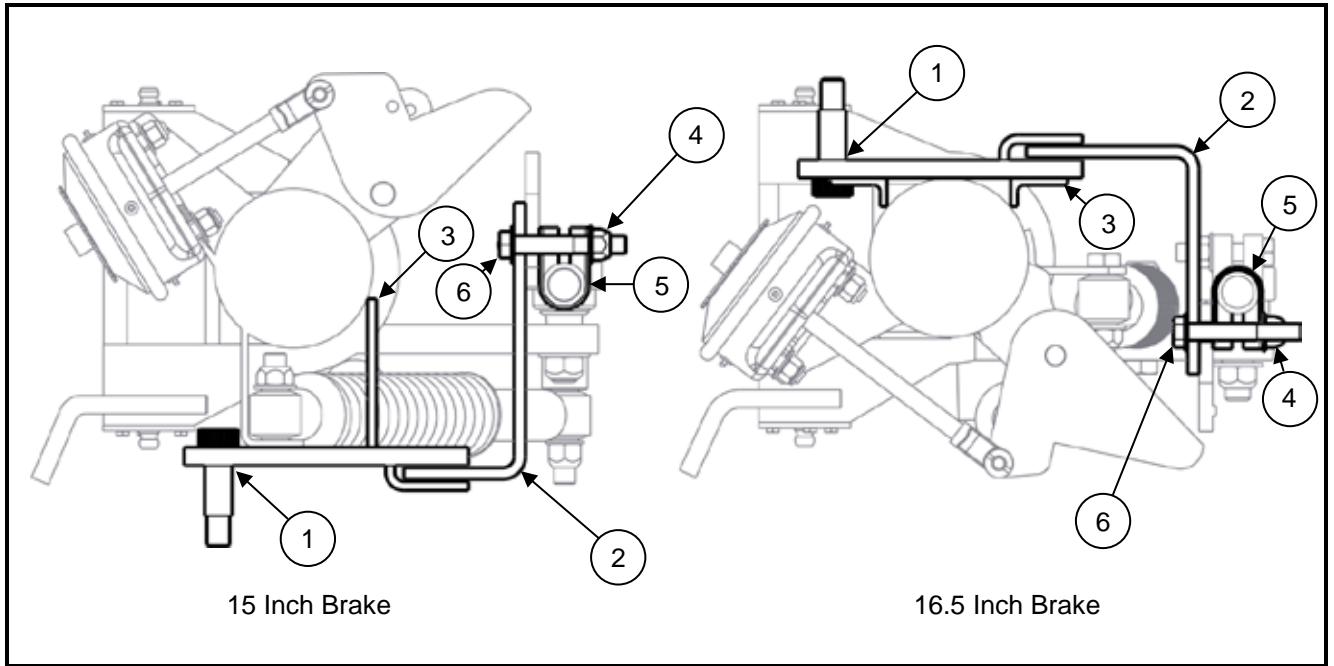
NOTE: For illustration purposes, the single steer axle system is shown above.

Self-Centring Hardware



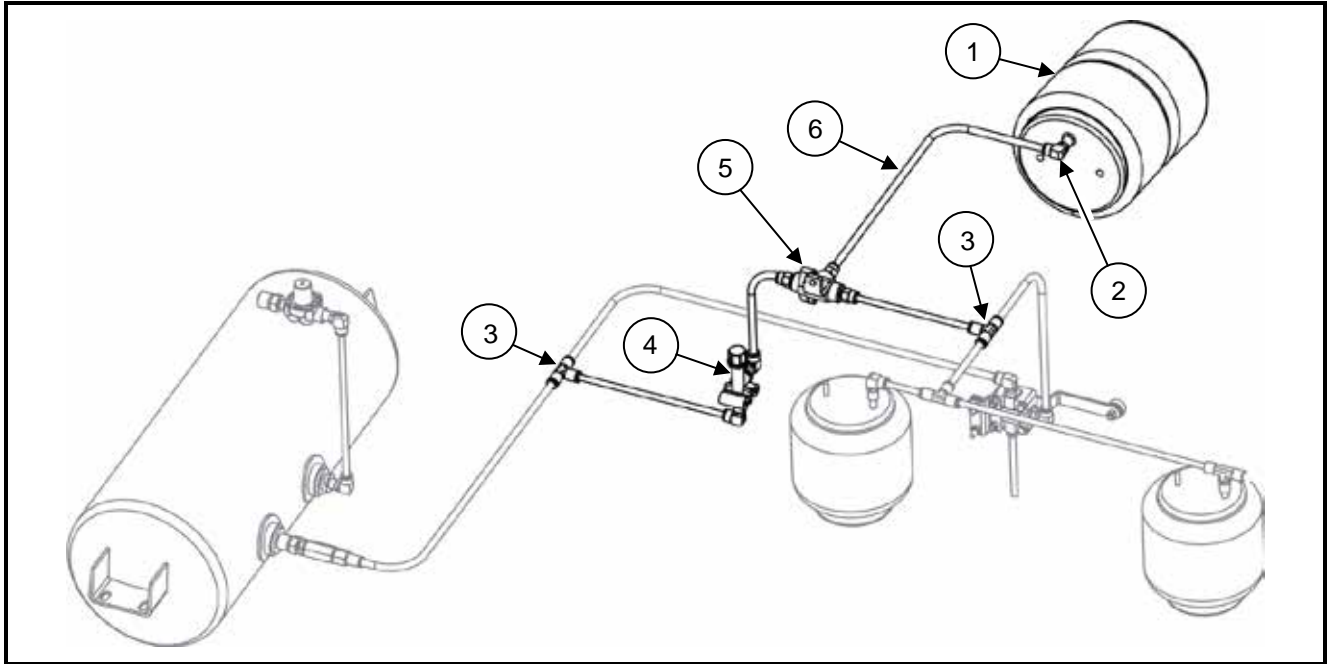
Item	Part Number	Description	Qty	Notes
1	97064-008	Kit, Self-Centring – Steerable Axle	1	Includes Items 2 to 7.
2	98870-051	Bracket, Self-Centring - RH	1	
	98870-052	Bracket, Self-Centring - LH	1	
3	97022-002	Washer, Hardened – M20	2	
4	97024-001	Nut, Lock – M20 x 2.5	2	
5	S-14318	Air Spring – Self Centring	1	
6	98934-006	Air Fitting, 90 Degree – 3/8" 1/4 NPT	1	
7	SA-1100-6	Bolt, Hex Head – 3/8"-16 x 1 Inch	4	
	SA-1600-1	Washer, Lock – 3/8 Inch	4	

Self-Centring Mounts



Item	Part Number	Description	Qty	Notes
1	98870-049	Mount Bracket, Self-Centring	1	15 Inch Brake.
	98870-093	Mount Bracket, Self-Centring	1	16.5 Inch Brake.
2	98870-130	Alignment Plate, Guide - Self Centring	1	15 Inch Brake.
	98870-095	Alignment Plate, Guide - Self Centring	1	16.5 Inch Brake.
3	98870-131	Bracket, Mount Bracket to Axle - Plate	1	15 Inch Brake.
	98870-094	Bracket, Mount Bracket to Axle - Right Angle	2	16.5 Inch Brake.
4	47764-000	Nut, Tie Rod Clamp - 5/8" UNC Grade 5	2	
5	98870-172	Clamp, Tie Rod End - 1.5 Inch ID	3	Suits 1.5 Inch Rod.
6	32043-008	Bolt, Tie Rod Clamp - 5/8" UNC x 4" Grade 5	3	
7	22962-004	Washer, Tie Rod Clamp - 5/8" Flat	3	Not Illustrated.

Self-Centring Pneumatic System



Item	Part Number	Description	Qty	Notes
1	S-14318	Air Spring – Self Centring	1	
2	98934-032	Air Fitting, Tee Swivel – 1/4" NPT x 3/8" OD Male	1	Twin Steer.
	98934-006	Air Fitting, 90 Degree – 1/4" NPT x 3/8" Inch	1	
3	98934-015	Air Fitting, Tee – 3/8" OD	2	
4	98732-004	Valve, Pressure Regulator	1	* Important – Refer Note 2
5	98732-030	Valve, Double Check	1	
6	97009-004	Tube, Nylon – 3/8" OD x 4 Metre	1	
7	98606-081	Pneumatic Kit – Self Centring	1	Not Illustrated

NOTE 1: For illustration purposes, the single steer axle system is shown above.

NOTE 2: The pressure regulating valve requires setting to 15 psi.



Revisions Table

DATE	REV	PAGE	DESCRIPTION

Information contained in this literature was accurate at the time of publication, Product changes may have been made after the publication date that are not reflected here.



ABN 21 004 992 769
32-44 Letcon Drive, P.O. Box 1063, Dandenong, Victoria, 3175
Phone 61 3 8792 3600 Fax 61 3 8792 3699
www.hendrickson.com.au