

H TECHNICAL

BULLETIN

HT250US

TRAILER AIR SUSPENSION

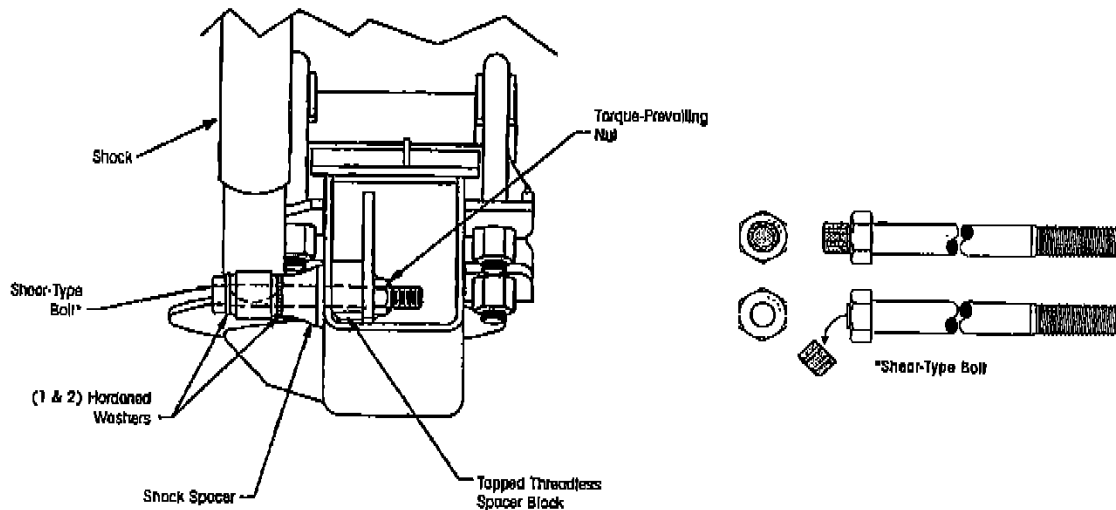
LOWER SHOCK

MOUNT REVISION

No: TRAILER AUS - 013

Subject: *Product Update*

Date: February 1999 Revision: A



As part of our continuous product improvement program, Hendrickson has revised the lower shock mount.

Effective March, Hendrickson will make the following changes to improve product reliability. (ref figure)

- ? Shear type, coarse thread bolt to ensure proper torque. (Part No. B-24058-2)
- ? New shock absorber with stronger inner metal bush to withstand higher torque. (Part No. S-23743 / 7.5"-14", S-23744 / 5.5" & 6.5")
- ? Additional hardened washer between spacer and shocker.
- ? Revised spacers with more support inside and outside beam.
- ? Torque prevailing nut tack welded to the spacer inside the suspension beam.

The current design utilises a large nut with threads inside the beam. The current nut will be replaced with a similar spacer block with no internal threads. A torque prevailing nut will be tack welded to the spacer to accept the new shear bolt.

WARNING:
HENDRICKSON REMINDS USERS TO ADHERE TO THE PUBLISHED CAPACITY RATINGS FOR SUSPENSIONS.

DO NOT MODIFY PARTS OTHER THAN OUTLINED IN THIS PUBLICATION.

USE OF A MODIFIED OR SUBSTITUTE PART IS NOT RECOMMENDED BECAUSE THE PART MAY NOT MEET HENDRICKSON'S SPECIFICATIONS, WHICH COULD LEAD TO FAILURE OF THE PART, LOSS OF VEHICLE CONTROL AND PERSONAL INJURY.

The shear bolt is a convenient feature to achieve the correct clamp load. The bolt is designed to torque at 210-235 ft.lbs. Proper torque is critical to the life of these shock mounting connections.

New shocks are also being introduced with this design. Two shocks are available depending on suspension ride height. Refer page one for part numbers. The inner metal in the bushing area has been strengthened to withstand the higher fastener torque. The form, fit and function of these shockers will not change.

The new shocks may be used in place of present shocks, however older shocks must not be used with the new shock mount design.

To install or replace the shear bolt use the 3/4 drive socket available from Hendrickson (Part No. A-24303).

If any further installation detail or assistance is required, contact the Hendrickson Customer Excellence Centre on (03) 9767 3400.

This bulletin contains product improvement information only. Hendrickson is not committed or liable for canvassing existing product.