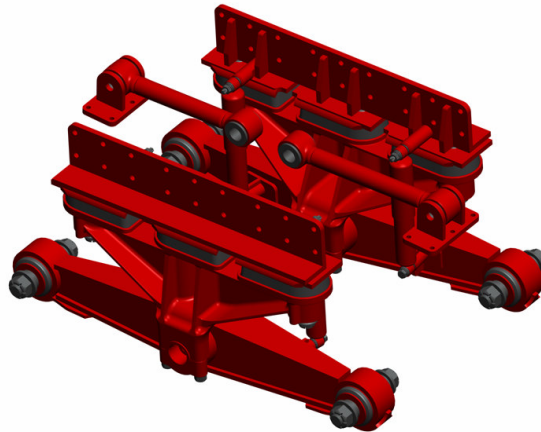




No: 97114-045
 Subject: RS850 HEAVY DUTY
 SUSPENSION
 Date: May 2008 Revision: A



SECTION	PAGE
Exploded View	2
Parts Listing	3
.....	

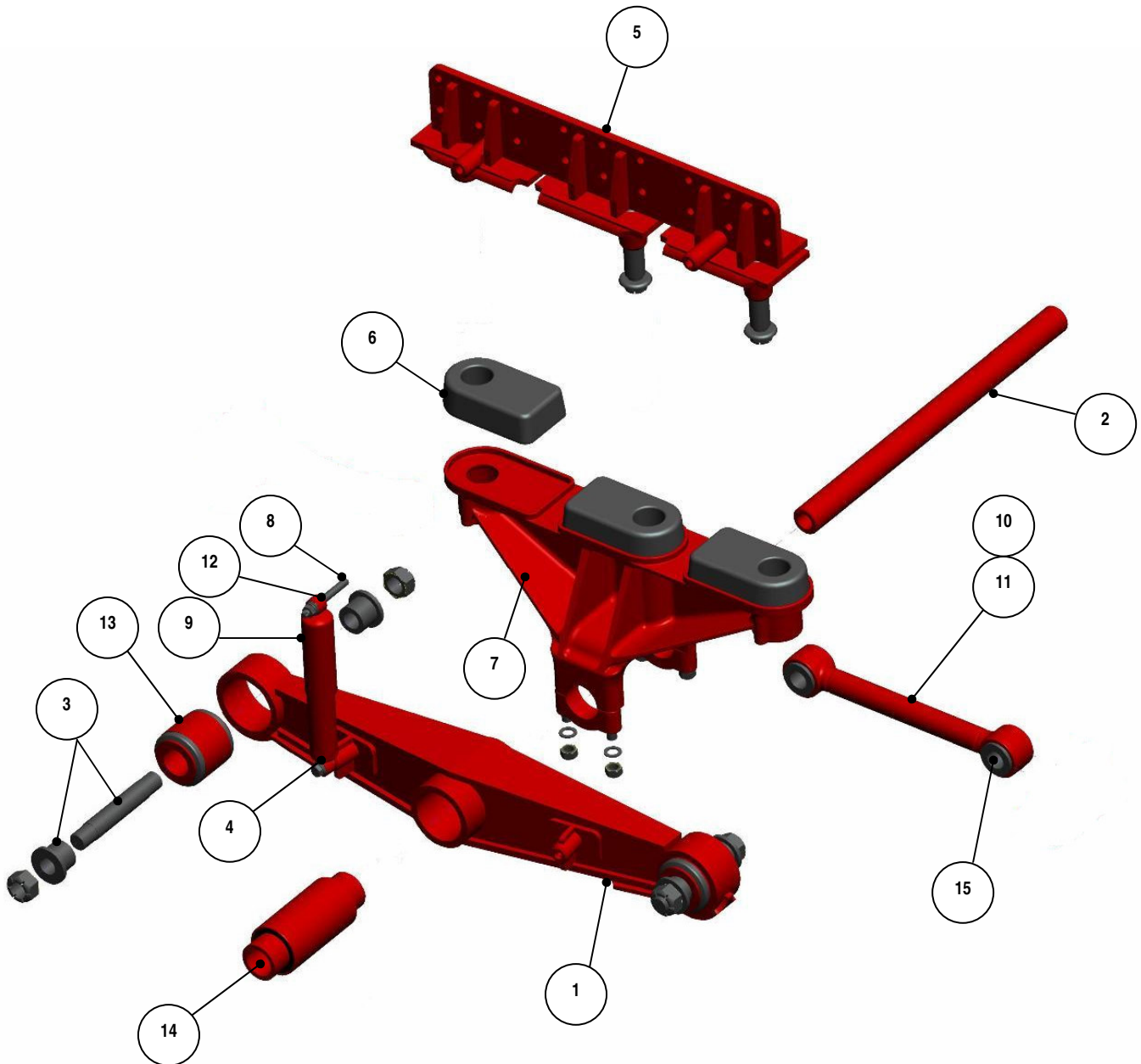
Built rugged to take the punishment of heavy mining, the Hendrickson range of heavy mining suspensions suits haul vehicles, tractors and mine service vehicles.

Rear suspensions to take the load, and front air suspensions to provide driver comfort. The Hendrickson range is tailored to suit various chassis widths and axle/brake combinations.

Model	Capacity	Configuration	Applications
R1500	75 Tonne	3 Axle Mining Vehicles – Tri Drive or Trailer	Off Road Heavy Haulage
R1000	50 Tonne	2 Axle Mining Vehicles – Drive Axle	On/Off Road Mine Haul/Service Vehicle
RS850	40 Tonne	2 Axle Mining Vehicles	On/Off Road Mine Service Vehicle
Paramaax	13 Tonne	Front Steer Axle Air Suspension	On/Off Road Mine Haul/Service Vehicle

Information contained in this literature was accurate at the time of publication, Product changes may have been made after the publication date that are not reflected here

RS850 Heavy Duty Suspension



Information contained in this literature was accurate at the time of publication, Product changes may have been made after the publication date that are not reflected here



RS850 Heavy Duty Suspension

Item	Part Number	Description	Qty	Notes
1	97316-001	Beam Arm 54"	2	
2	10397-014	Cross Tube	1	
3	27425-007	Beam End Adapter	4	
4	50764-004	Lower Shock Bolt	4	3/4" UNC
5	97314-001	Hanger Assy	2	
6	26953-000	Load Cushion	6	
7	08606-082	Saddle Assy	2	
8	B-24058-1	Upper Shock Bolt	4	
9	98583-015	Shock Absorber	4	
10	97295-525	Torque Rod 525mm	1	
11	97295-615	Torque Rod 615mm	1	
12	22962-001	Washer Hardened	16	3/4"
13	10363-000-2L	End Bush	2	Pack of 2 Bushes
14	10366-000-L	Centre Bush	2	
15	58648-000	Bush – Torque Rod	4	

Information contained in this literature was accurate at the time of publication, Product changes may have been made after the publication date that are not reflected here

