

AXLE SEAT INDEX				ITEM	REQ'D	PART NO.	DESCRIPTION
-EATON 341, 402				1	2	47432-1	FRONT SPRING HANGER
-ROCKWELL SL 100, SQ 100, RT34-145, RT40-145.				2	2	47445-1	E4-360 CENTER HANGER AND EQUALIZER BEAM ASSEMBLY
						47445-7	E4-400 CENTER HANGER AND EQUALIZER BEAM ASSEMBLY
FRONT AXLE		REAR AXLE		3	2	47436-3	REAR SPRING HANGER
ANGLE	PART NO.	ANGLE	PART NO.	4	1	49175-1	REBOUND ROLLER KIT & FASTENERS
2.25°	49121	4.0°	49123	5	2	47440	SHACKLE LHF/RHR
3.25°	49122	5.0°	49158	6	2	47442	SHACKLE RHF/LHR
4.0°	49123	6.5°	49124	7	8	48728	SHACKLE BOLT
5.0°	49158	9.5°	49125	8	4	47459	SHACKLE BOLT RETAINER
		10.5°	49126	9	2	SEE INDEX	SPRING SEAT (FRONT AXLE)
		12.0°	49127	10	2	SEE INDEX	SPRING SEAT (REAR AXLE)
ADD 1.0" (48902) OR 1.5" (48903) SPACERS TO INCREASE RIDE HEIGHT. (NOT SHOWN)				11	1	49064	AXLE BOTTOM CAP (LHF)
				12	1	49134	AXLE BOTTOM CAP (RHF)
				13	1	49135	AXLE BOTTOM CAP (LHR) (IF 9.5° - 12.0° USE 49138)
				14	1	49064	AXLE BOTTOM CAP (RHR) (IF 9.5° - 12.0° USE 49139)
				15	4	47474	E4-360 SPRING ASSEMBLY
						48400	E4-400 SPRING ASSEMBLY
				16	4	48797	TOP PAD
				17 †	8	48718-	U-BOLT ASSEMBLY KIT
				18	2	48411-1	TORQUE ROD ASSEMBLY (FRONT)
				19	2	48411-2	TORQUE ROD ASSEMBLY (REAR)
				20	1	49176-001	TORQUE ROD FASTENER KIT
				21	AS REQ'D	47457	TORQUE ROD SHIM

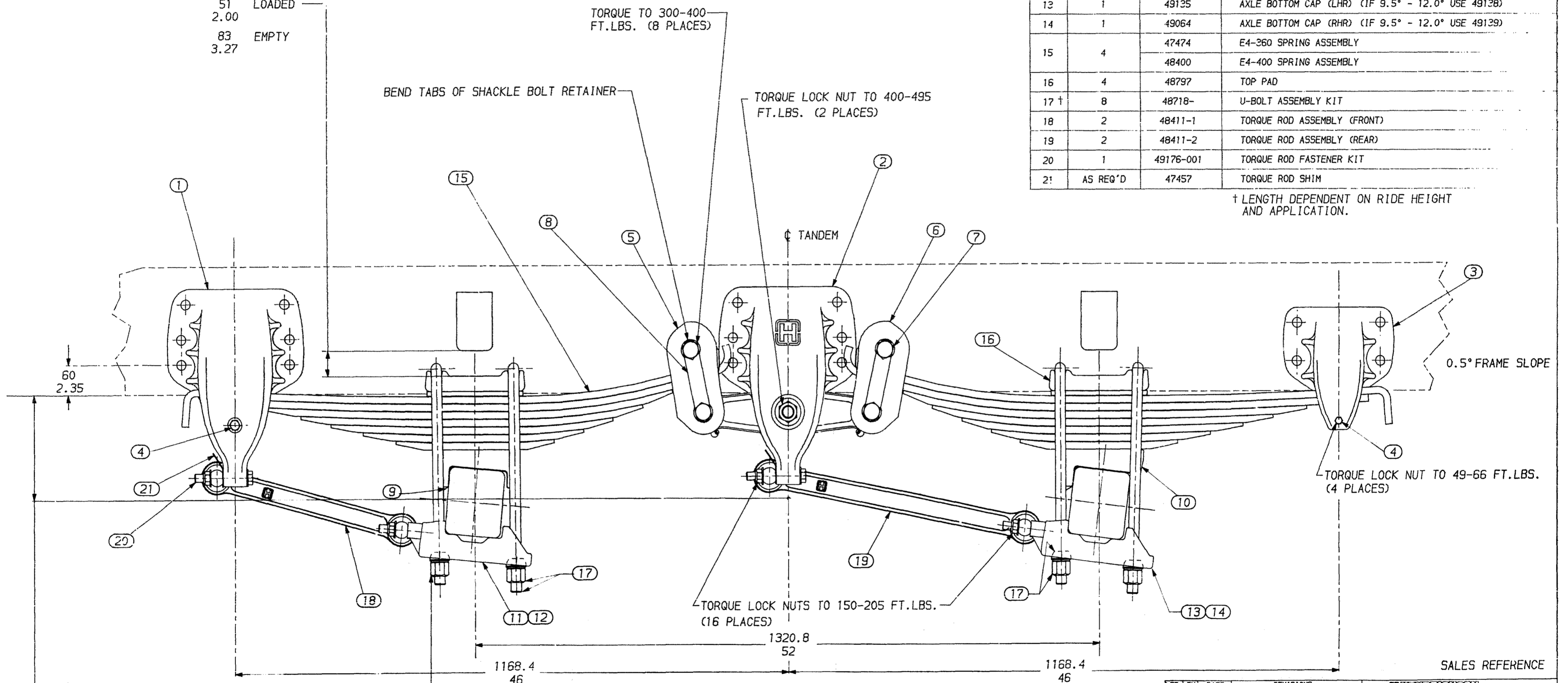
**BUMPER SETTINGS**

51	LOADED
2.00	
83	EMPTY
3.27	

TORQUE TO 300-400 FT.LBS. (8 PLACES)

TORQUE LOCK NUT TO 400-495 FT.LBS. (2 PLACES)

BEND TABS OF SHACKLE BOLT RETAINER



† LENGTH DEPENDENT ON RIDE HEIGHT AND APPLICATION.

SALES REFERENCE

• $\phi$ TANDEM:	360	400
EMPTY HEIGHT	231	246
	9.09	9.67
LOADED HEIGHT	201	213
	7.91	8.38

IF SPACER IS REQUIRED, ADD THE SPACER THICKNESS TO THE RIDE HEIGHT.

TORQUE U-BOLT LOCK NUTS TO 230-310 FT.LBS. (16 PLACES)

**NOTE:**  
DIMENSIONS SHOWN ARE IN DUAL FORMAT;  
UPPER DIMENSIONS ARE IN MILLIMETERS,  
LOWER DIMENSIONS ARE IN INCHES.

LET.	BY	DATE	REVISIONS
A	AH	3-7-82	RELEASED

HENDRICKSON Suspension		MATERIAL	
HENDRICKSON 1:4 360/400		SHEETS SHEET NO. D	
SCALE	NUMBER	REFERENCE	
1/4	48202-73		