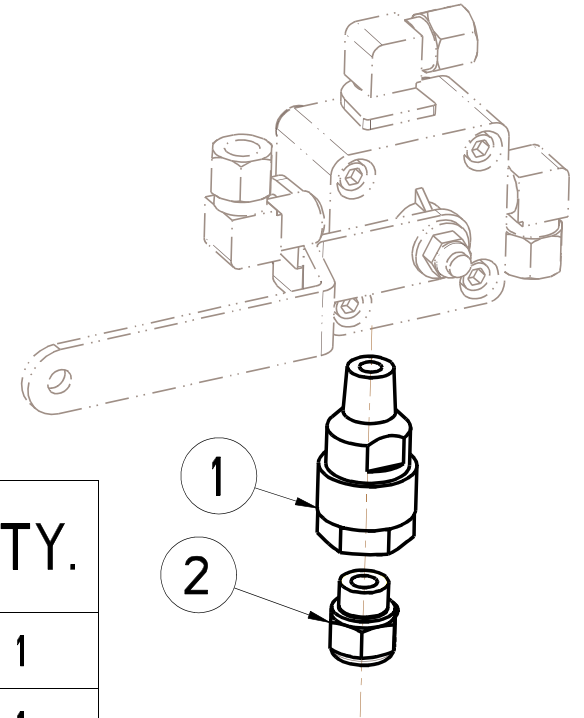


RETENTION PRESSURE IS SET TO HOLD BETWEEN 5-10 PSI



	PART No.	DESCRIPTION	QTY.
1	98732-023	EXHAUST PRESSURE RETENTION VALVE	1
2	98732-012	1/4" EXHAUST SILENCER	1

This Print remains the property of Hendrickson Asia Pacific Pty Ltd. All information contained thereon is confidential. It is loaned, subject to return on demand and on express condition that it is not to be copied or used directly or indirectly for any purpose other than the purpose for which it has been loaned to you.

Material	...	Susp.	01	Release	8779	G.F.	16.08.04	
Finish	Ref. Layout	Rev	Revision Record	ECN N ^o	By	Appr.	
HENDRICKSON <i>Asia Pacific Pty Ltd</i> <small>5 Abbots Dandenong Vic 3175 Australia Copyright © 2004</small>	98752-001	 Tolerance is standard unless otherwise stated REMOVE ALL BURRS, SHARP EDGES AND PROCESS RESIDUE	Ref. Assy	Drawn	G.FRANCIS	16/08/04	Mass	0.001 kg
	A Boler Company		98752-002	Ref. Model	Chk'd	.	.	Proj.
Title	INSTALN.DWG. FOR RETENTION VALVE FOR TIP OVER AXLES			File Ref.	Appr.	.	Sht	1 of 1
				Scale	1:1	Part no.	49441-308	
				Size	A4			