

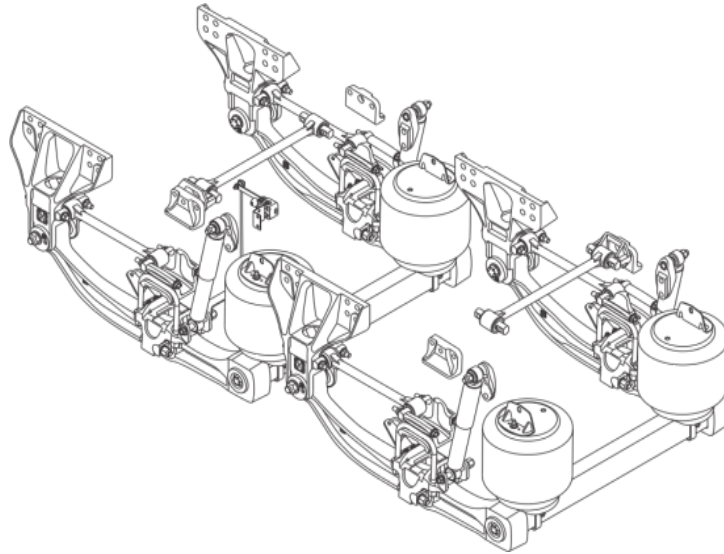
# PARTS LIST

PRIMAAX EX - Kenworth

LIT NO: 97114-098

DATE: Feb 2017

REVISION: B



SECTION	PAGE
Introduction .....	2
Application .....	2
Suspension Identification .....	3
U-Beam Measurement .....	4
Frame Width Measurement .....	4
PRIMAAX EX - Kenworth .....	5
Pivot Connection Hardware .....	7
Pivot Connection .....	7
U-Beam Assembly .....	8
Forward Axle .....	8
Rear Axle .....	8
Torque Rod Selection .....	9
Drum Brake .....	9
Disc Brake .....	9
Axle Caps – PRIMAAX EX 462 .....	10
Top Cap .....	10
Bottom Cap .....	10
Axle Caps – PRIMAAX EX 522 .....	11
Top Cap .....	11
Bottom Cap .....	11
Height Control Valve .....	12
Special Tools .....	13



### Introduction

The purpose of this parts list is to document the available repair parts, accessories and special tools available for the Hendrickson PRIMAAX® Extreme (EX) 462 and 522 series suspension systems fitted to Kenworth vehicles.

For earlier PRIMAAX® suspension systems please refer to 97117-109 or contact Hendrickson Asia Pacific on (03) 8792 3600.

**NOTE:** All quantities listed within this parts list are as applicable for a single axle.

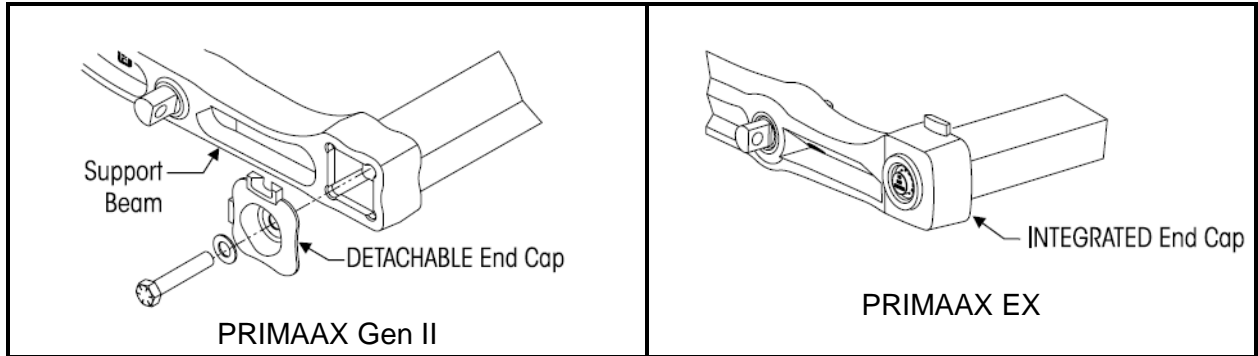
### Application

	PRIMAAX EX 462	PRIMAAX EX 522
Capacity	20,000 kg	23,000 kg
Axle Configuration	Tandem	Tandem
GCM Approval	140,000 kg	160,000 kg
Axle Travel	150mm	150mm
Ground Clearance	270mm	270mm
Ride Heights	200 – 273mm	200 – 273mm
Engine Torque Restrictions	No Limit	No Limit
<b>Applications</b>		
<ul style="list-style-type: none"> <li>▪ Rigid</li> <li>▪ Single Trailer</li> <li>▪ B-Double</li> <li>▪ Road Train Doubles &amp; Triples</li> <li>▪ High CoG &amp; Live Load Applications</li> </ul>		

### Suspension Identification

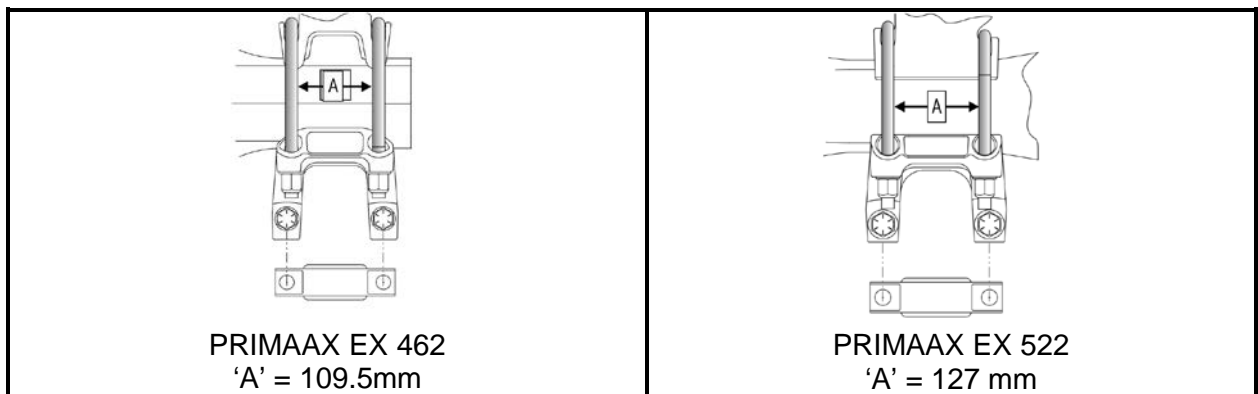
Please review the notes below to assist with the identification of the PRIMAAX model fitted to your vehicle.

#### PRIMAAX Generation



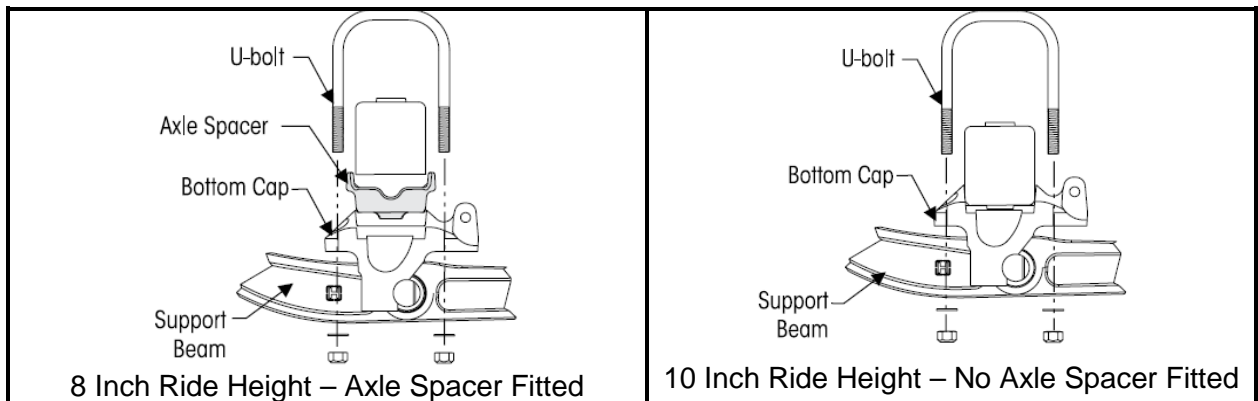
PRIMAAX EX can be identified by the integrated end cap.

#### 462/522



PRIMAAX EX 462/522 can be identified by the U-bolt spacing.

#### Ride Height

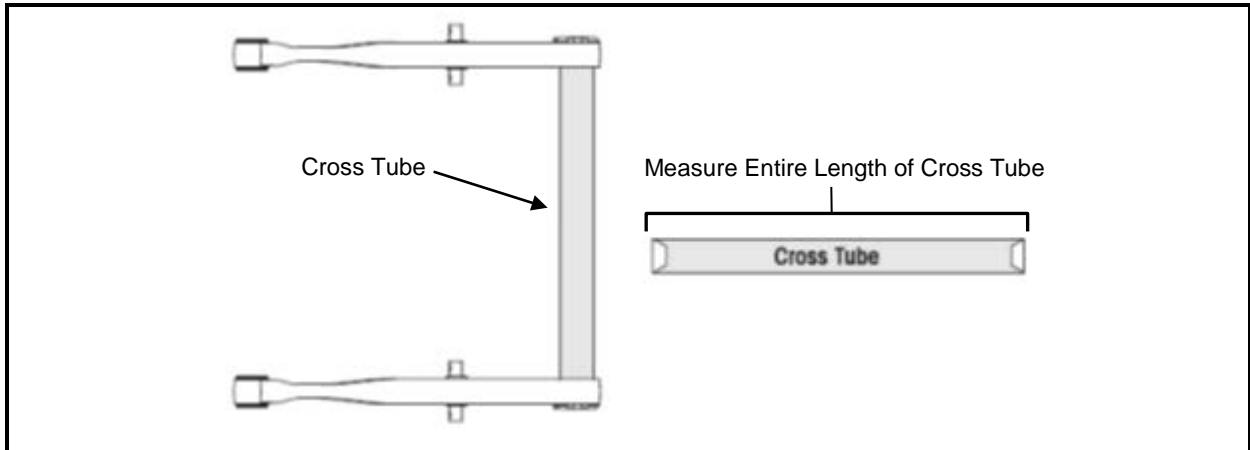


8 inch ride height can be identified by the presence of the axle spacer.

## U-Beam Measurement

To ensure fitment of the correct U-beam for your suspension please confirm the below measurements prior to ordering.

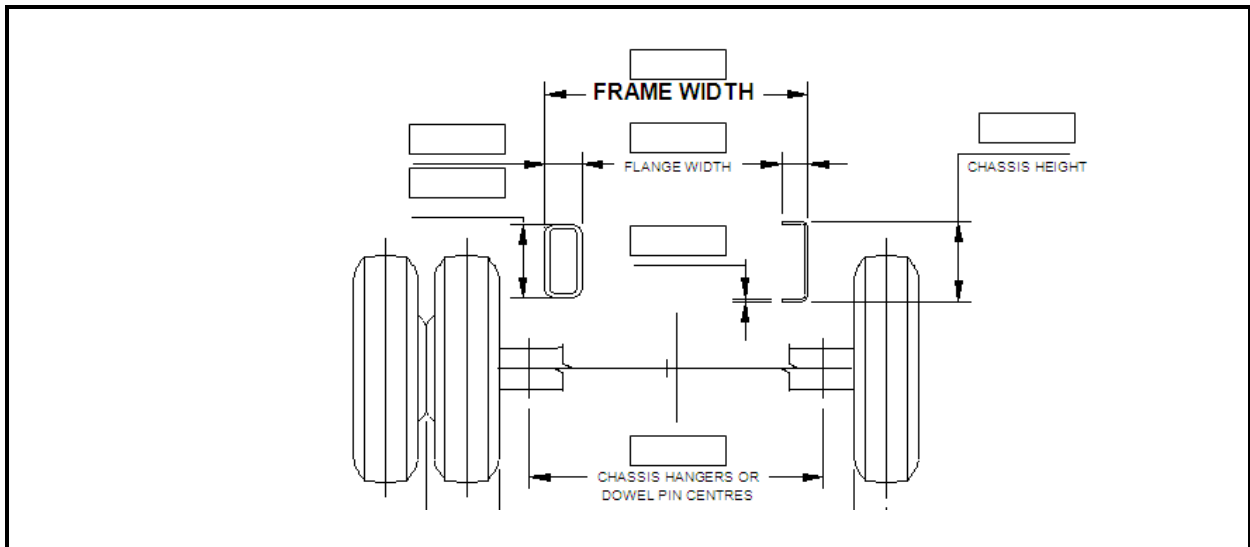
### Cross Tube Measurement



To measure cross tube dimension correctly:

- Remove cross tube from the suspensions existing U-Beam assembly.
- End to end measurement is required to determine the correct U-Beam assembly part number.

### Frame Width Measurement

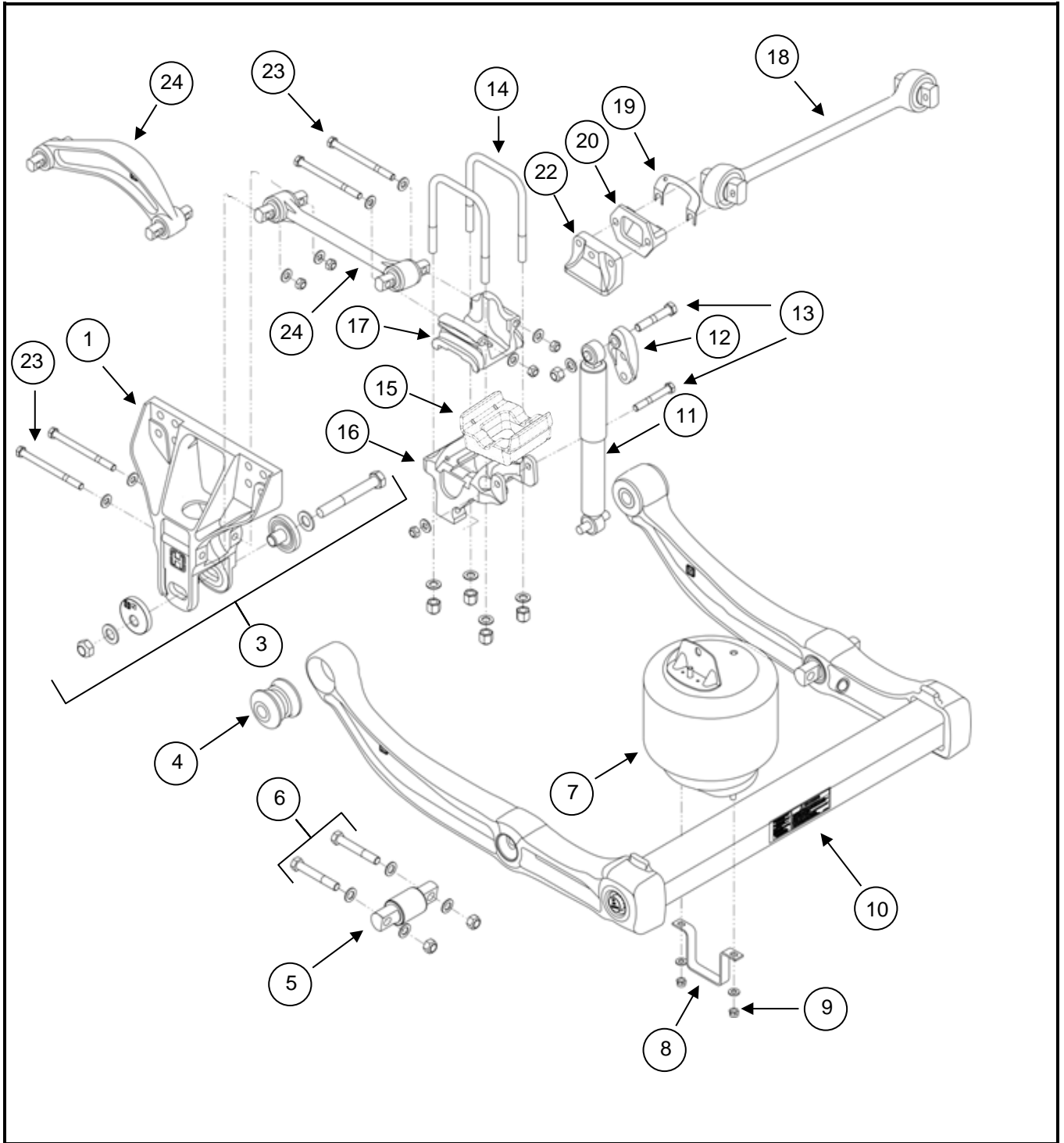


Frame width dimension is from outside of chassis to outside of chassis, If the vehicle is fitted with hanger spacer plates (between chassis and frame hanger) be sure to include the thickness in your total measurement -Frame 852 mm + Spacer plate (2 x 6 mm) = 864mm.

Measurement must be taken at the front and rear hangers.



PRIMAAX EX - Kenworth

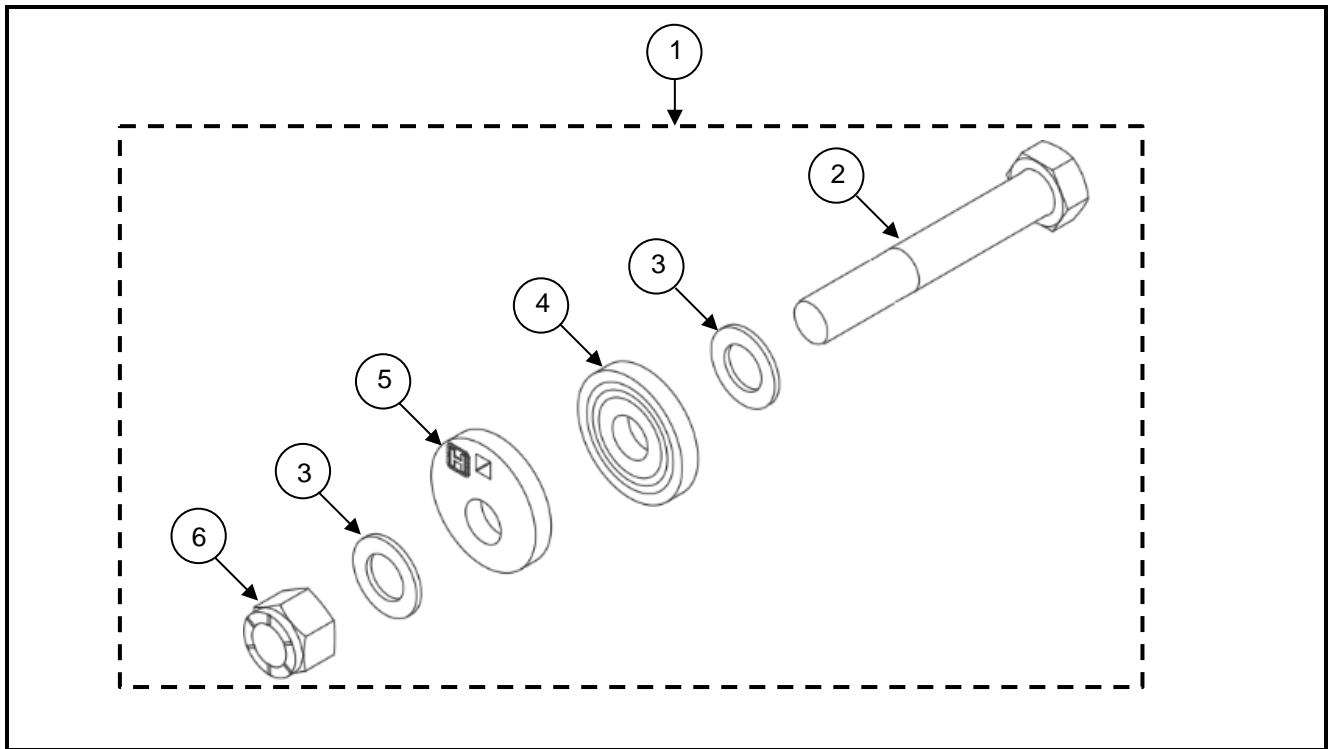


## PRIMAAX EX - Kenworth

Item	Part Number	Description	Qty	Notes
1	67706-000	Frame Hanger, Cast	2	
	97109-009	Frame Hanger, Fabricated – LH	1	
	97109-010	Frame Hanger, Fabricated – RH	1	
2	97111-011	Hanger Spacer Plate - Fabricated Hanger	2	Not Illustrated
3	Refer page 7	Pivot Connection Hardware	-	
4	58648-000	Pivot Bush	2	See Note
5	60383-000	D Pin Bush	2	Suits 232/462
	65381-000	D Pin Bush	2	Suits 522
6	56659-003	D Pin Hardware Kit	2	Suits 232/462
	56659-010	D Pin Hardware Kit	2	Suits 522
7	98734-094	Air Spring	2	
8	60911-002	Lower Air Spring Bracket	2	
9	98111-012-P	Air Spring Hardware Kit	2	
10	Refer page 8	U-Beam Assembly	1	
11	98583-032	Shock Absorber	2	Suits 232/462
	98583-067	Shock Absorber	2	Suits 522
12	67463-002	Upper Shock Absorber Bracket	2	
13	50754-007	Shock Absorber Mounting Hardware	1	Suits 232/462
	50754-036	Shock Absorber Mounting Hardware	1	Suits 522
14	48718-127	U-Bolt Kit – 8.88 Inch Square	1	Suits 232/462 10 Inch Ride Height
	48718-128	U-Bolt Kit – 10.375 Inch Square	1	Suits 232/462 8 Inch Ride Height
	48718-117	U-Bolt Kit	1	Suits 522
15	65139-003	Axle Cap Spacer – 8 Inch Ride Height Only	2	
16	Refer page 10	Axle Bottom Cap	2	
17	Refer page 10	Axle Top Cap	2	
18	58745-003	Transverse Torque Rod – 605.9 mm	1	Bush NSS
	58745-007	Transverse Torque Rod – 635 mm	1	Bush NSS
19	49689-000	Transverse Rod Shim	1	
20	22186-000	Transverse Rod Bracket	1	
21	45045-002	Transverse Bracket Spacer Plate – 6mm	1	Not Illustrated
22	60593-000	Axle Stop Bracket	1	
23	98111-143	Longitudinal Rod Hardware	2	Cast Hanger
	98111-144	Longitudinal Rod Hardware	2	Fabricated Hanger
24	Refer page 9	Longitudinal Torque Rod Assembly	2	

**NOTE:** Check bolt and bush for clearance before tightening. In some instances, the pivot bush may need to be reamed to allow clear passage of the severe duty bolt.

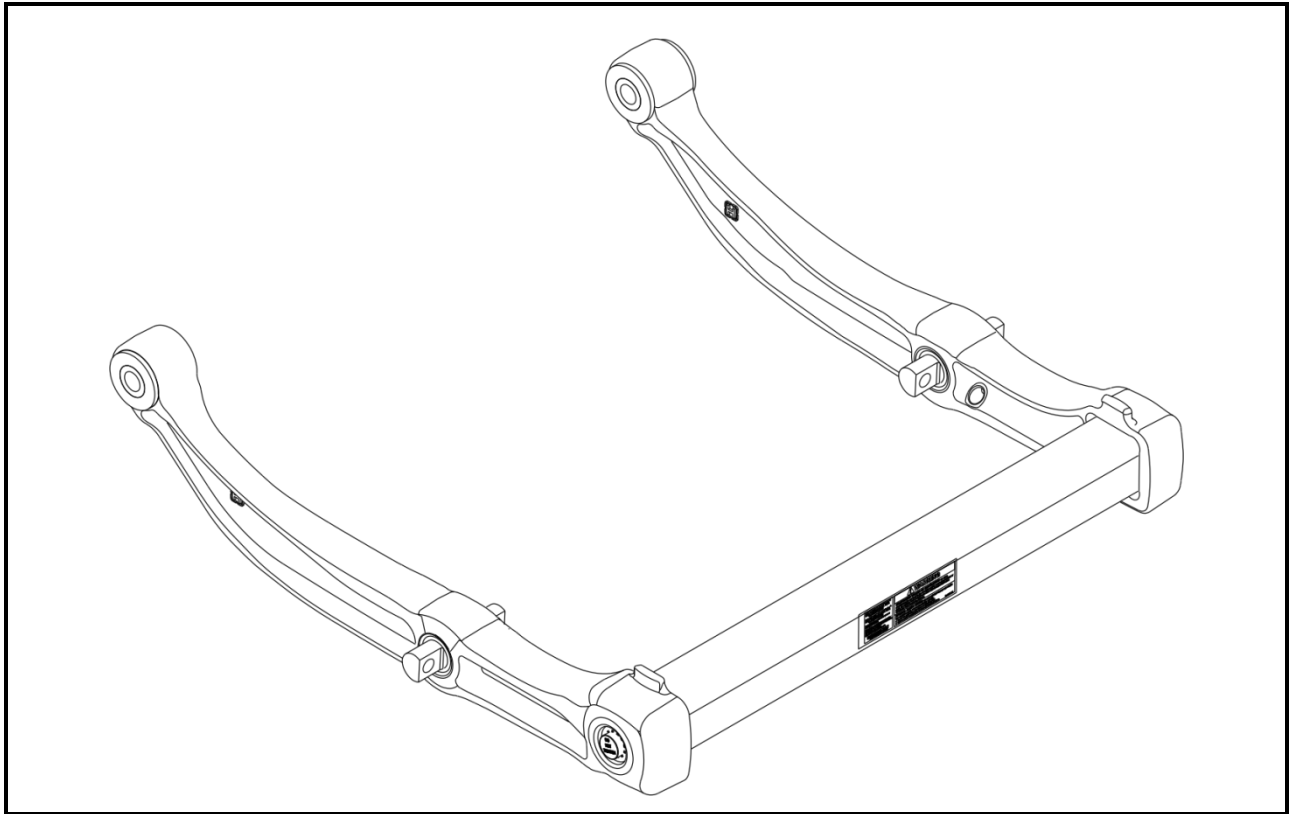
Pivot Connection Hardware



Pivot Connection

Item	Part Number	Description	Qty	Notes
1	60632-015	QUIK ALIGN Fastener Kit – Axle Set	2	Includes Items 2, 3, 4, 5 & 6
2	NSS	Bolt – Hex Head – 1 ¼ Inch -12 UNF – 8.0 Inch	2	
3	NSS	Washer	4	
4	NSS	QUIK ALIGN Collar - Concentric	2	
5	NSS	QUIK ALIGN Collar - Eccentric	2	
6	NSS	Lock Nut	2	NSS

U-Beam Assembly



**Forward Axle**

Part Number	Suits	Frame Width	Cross Tube	Notes
97795-002	462	864 mm	1053.5 mm	
97795-004	522	864 mm	1053.5 mm	

**Rear Axle**

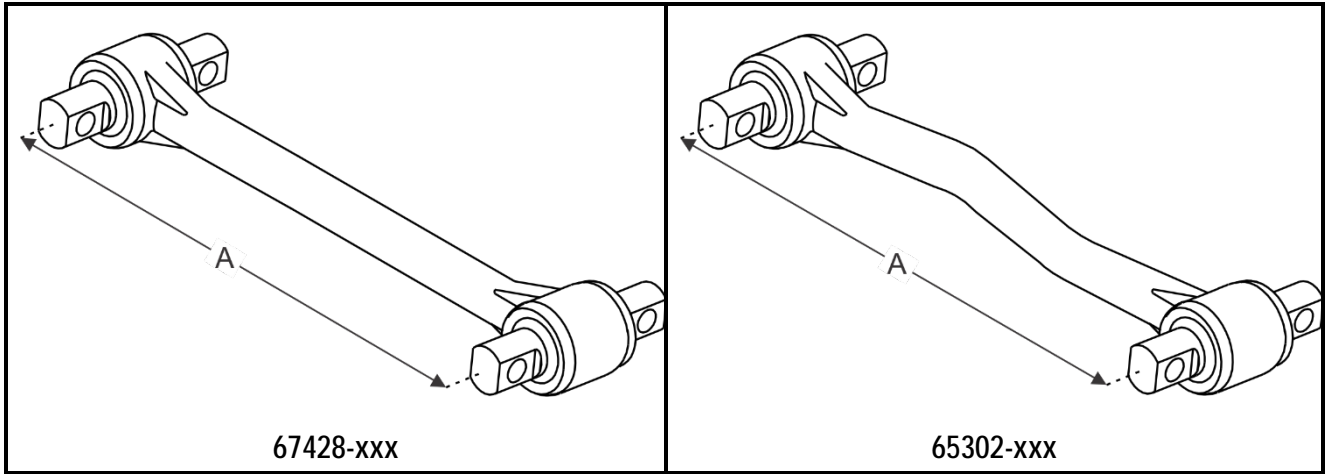
Part Number	Suits	Frame Width	Cross Tube	Notes
97795-001	462	864 mm	1053.5 mm	
97795-003	522	864 mm	1053.5 mm	

**NOTE:** Refer to Page 4 for measurement instructions.



### Torque Rod Selection

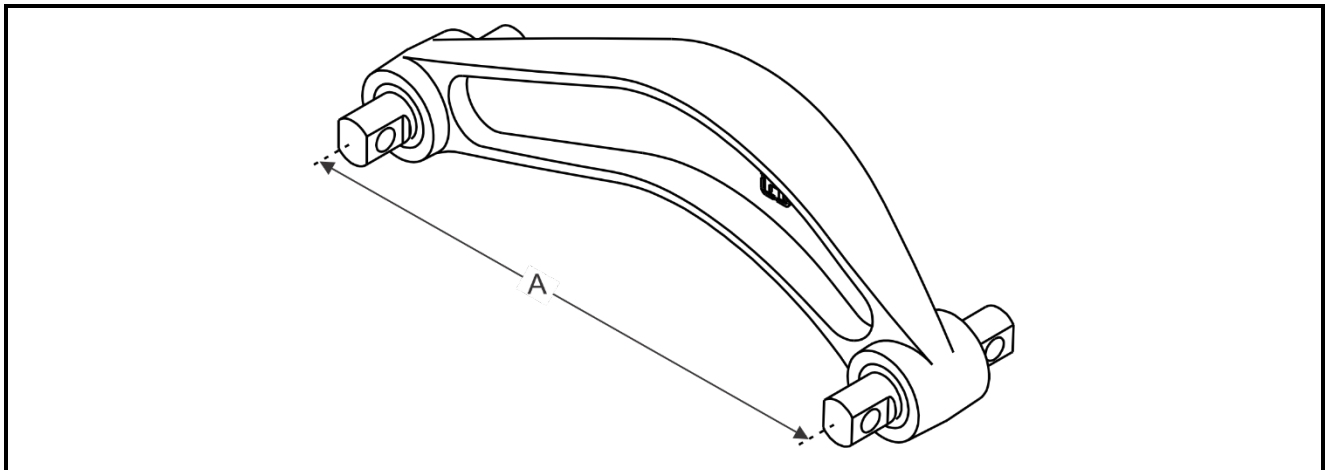
#### Drum Brake



Part Number	Dim 'A'	Axle	Suits	Bush	Notes
67428-425	425 mm	Forward	462	See note	
67428-435	435 mm	Forward	462	See note	
67428-445	445 mm	Forward	462	See note	
67428-475	475 mm	Rear	462	See note	
67428-480	480 mm	Rear	462	See note	
65302-480A	480 mm	Forward	522	See note	Suit Left Hand Only
65302-480B	480 mm	Forward	522	See note	Suit Right Hand Only
65302-530A	530 mm	Rear	522	See note	Suit Left Hand Only
65302-530B	530 mm	Rear	522	See note	Suit Right Hand Only

**NOTE:** Drum brake torque rod utilises ARF (Axial Retention Feature). Bush failure requires complete rod replacement.

#### Disc Brake

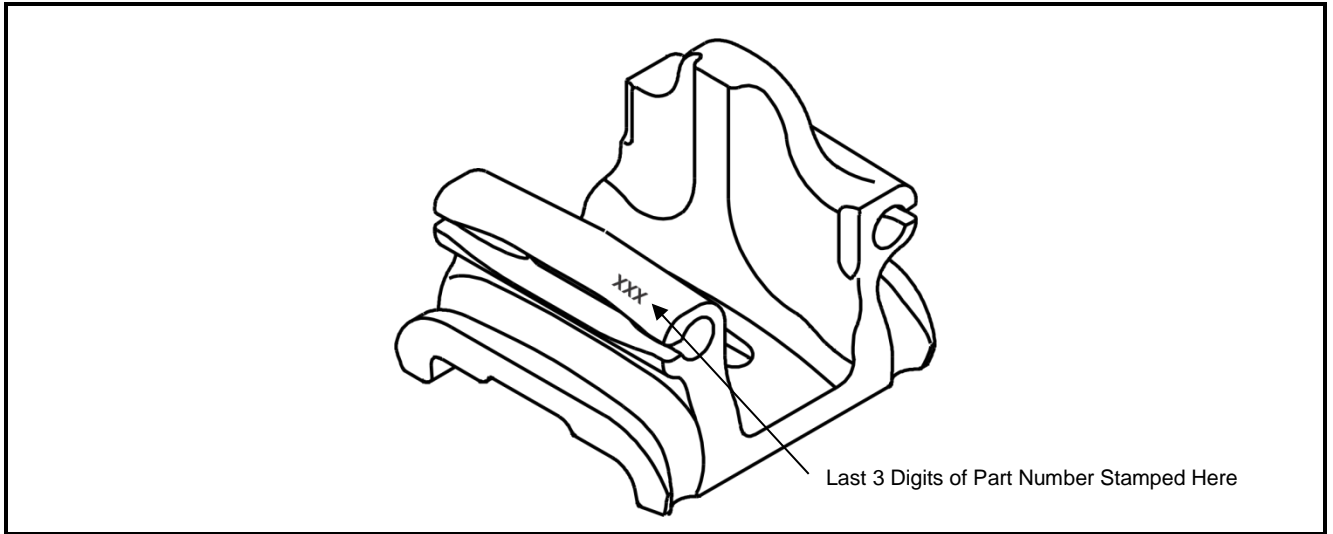


Part Number	Dim 'A'	Axle	Suits	Bush	Notes
67219-435	435 mm	Forward	462	47691-000-L	
67219-475	475 mm	Rear	462	47691-000-L	

**NOTE:** Disc brake torque rod bushes 47691-000-L are able to be replaced.

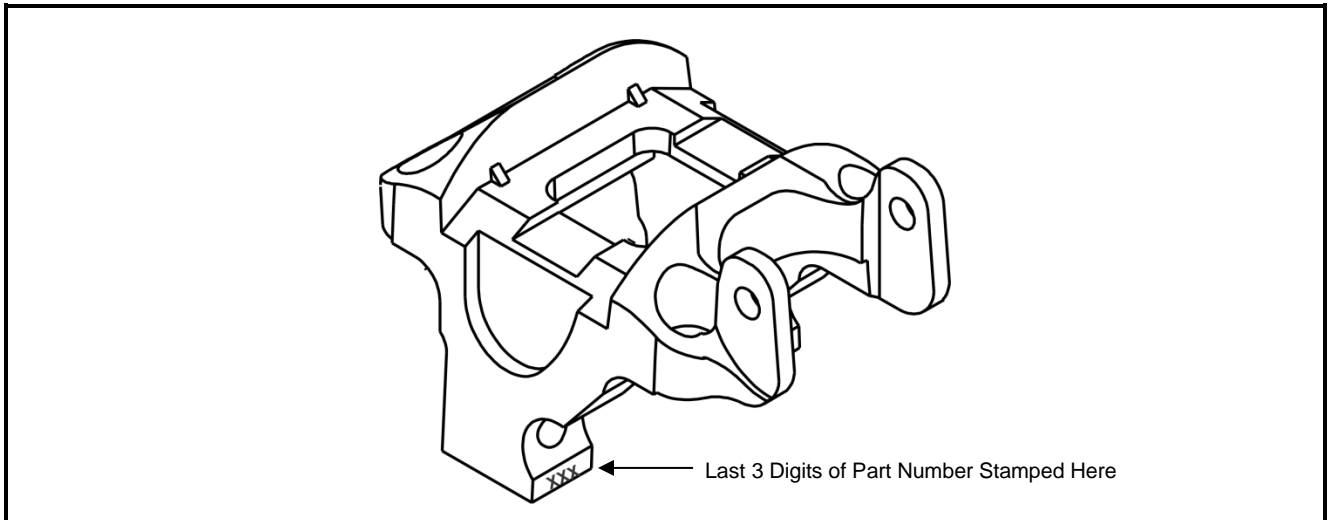
Axle Caps – PRIMAAX EX 462

Top Cap



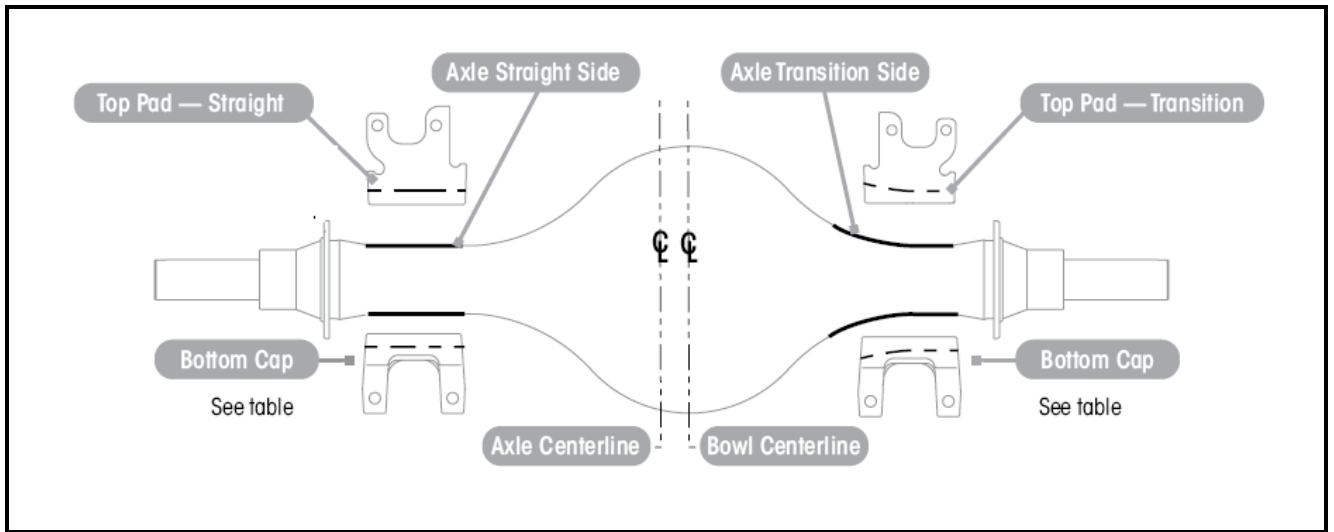
Item	Part Number	Description	Qty	Notes
1	65289-000	Top Pad	2	No Part Number Stamp
2	65289-001	Top Pad – LHS Only	2	
3	65289-002	Top Pad – RHS Only	2	
4	65289-005	Top Pad	2	

Bottom Cap



Item	Part Number	Description	Qty	Notes
1	60556-025	Axle Bottom Cap – 2.5 Deg	2	Forward Axle
2	60556-030	Axle Bottom Cap – 3.0 Deg	2	Forward Axle
3	60556-035	Axle Bottom Cap – 3.5 Deg	2	Forward Axle
4	60556-100	Axle Bottom Cap – 10.0 Deg	2	Rear Axle
5	60556-110	Axle Bottom Cap – 11.0 Deg	2	Rear Axle
6	60556-115	Axle Bottom Cap – 11.5 Deg	2	Rear Axle
7	60556-120	Axle Bottom Cap – 12.0 Deg	2	Rear Axle

Axle Caps – PRIMAAX EX 522



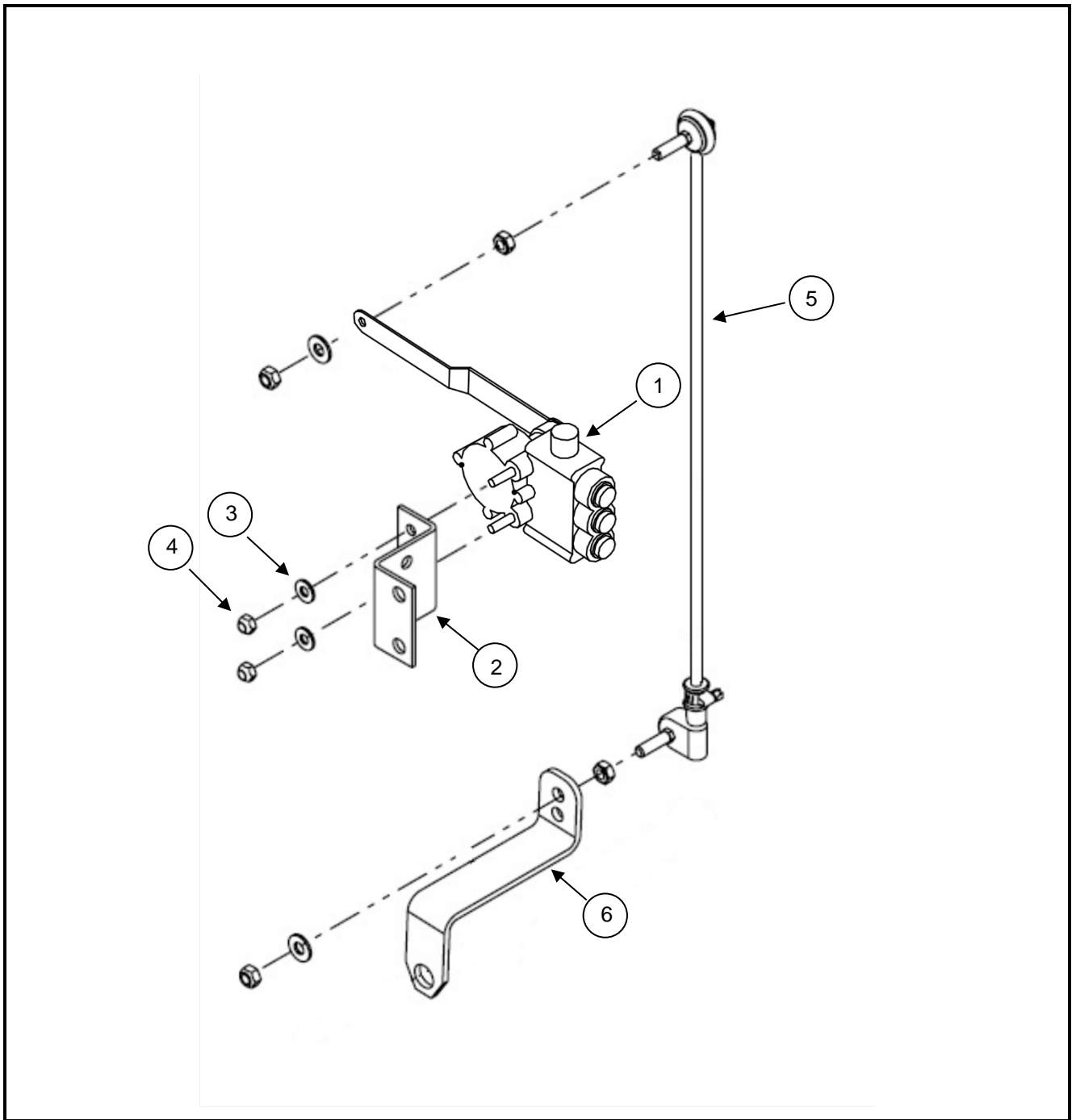
**Top Cap**

Item	Part Number	Description	Qty	Notes
1	65210-001	Top Pad – Straight Side	1	Suit Meritor Axle
2	65210-003	Top Pad – Transition Side	1	Suit Meritor Axle
3	65210-002	Top Pad – Straight Side	1	Suit Dana Axle
4	65210-004	Top Pad - Transition Side	1	Suit Dana Axle

**Bottom Cap**

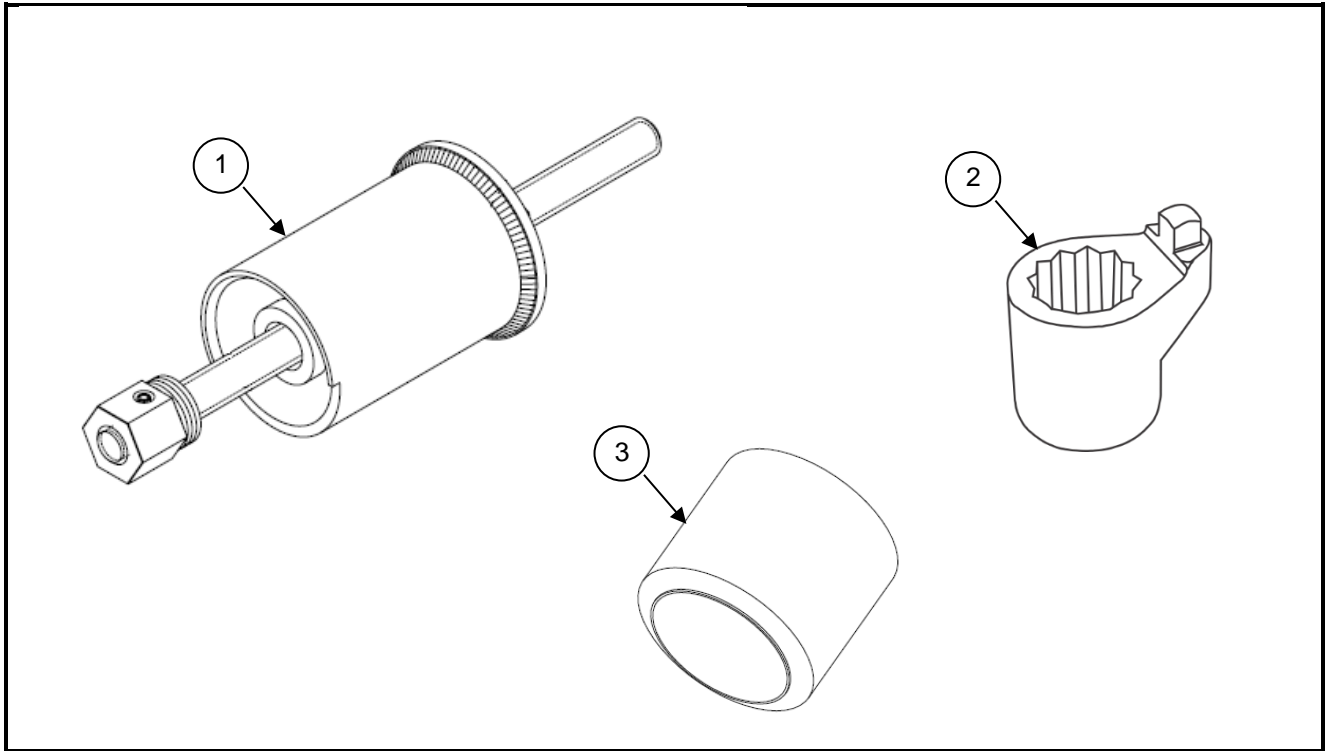
Item	Part Number	Description	Qty	Notes
1	65208-002	Bottom Cap – LH Front	1	Suit Dana Axle
2	65208-008	Bottom Cap – RH Front	1	Suit Dana Axle
3	65208-011	Bottom Cap – LH Rear		Suit Dana Axle
4	65208-004	Bottom Cap – RH Rear		Suit Dana Axle
5	65208-101	Bottom Cap - Straight Side	1	Suit Meritor Axle
6	65208-103	Bottom Cap - Straight Side	1	Suit Meritor Axle
7	65208-106	Bottom Cap – Transition Side	1	Suit Meritor Axle
8	65208-109	Bottom Cap – Transition Side	1	Suit Meritor Axle

Height Control Valve



Item	Part Number	Description	Qty	Notes
1	98603-008	Height Control Valve – 3/8 Inch Air Line	1	
2	57975-000	Height Control Valve Bracket	1	
3	NSS	Washer – 1/4 Inch	2	
4	NSS	Nut – 1/4 Inch	2	
5	98606-389	HCV Rod – 390 mm	2	Includes fasteners
	98677-012	HCV Rod Bracket - Lower	2	
6	98606-060	Height Control Valve Kit – 3/8" Air Line	1	Includes Items 1, 2, 3 & 4

Special Tools



Item	Part Number	Description	Notes
1	66086-203	Pivot Bush Tool	
2	66086-200	Alignment Socket	
3	98596-020-P	Torque Rod Re-Bush Tool	Suits 47691-000

