

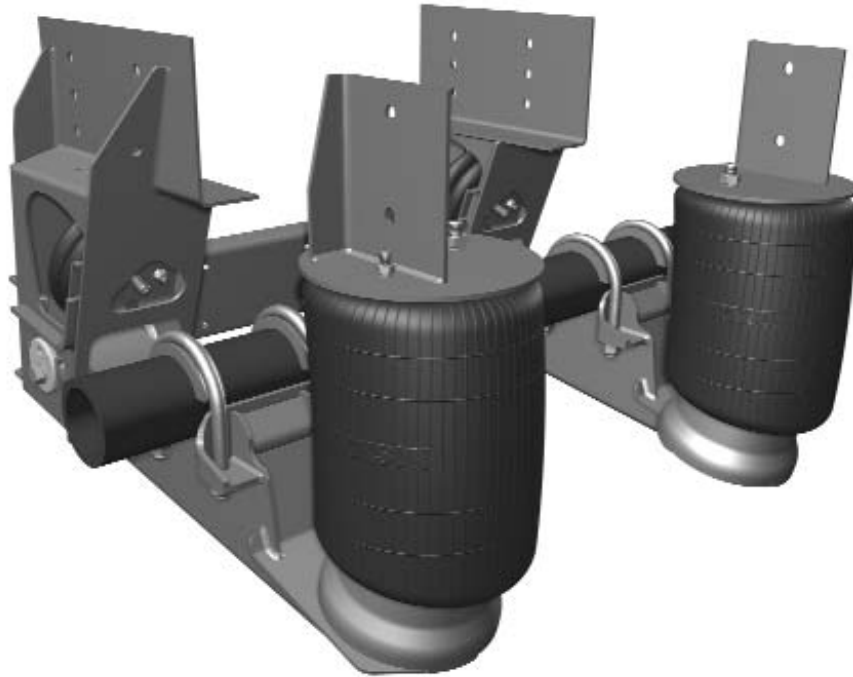
# SPECIFICATIONS

## HLM-2 SERIES

LIT NO: H607

DATE: January 2006

REVISION: B



---

### TABLE OF CONTENTS

HLM-2 Ride Height and Axle Lift Table .....	2
New Ride Heights Available for Trailer Mount .....	2
Performance Chart for HLM-2 .....	2
Suspension / Application Data .....	3
Calculating Ride Height .....	3
Suspension Dimensions .....	3
Part Number Guide .....	4

---



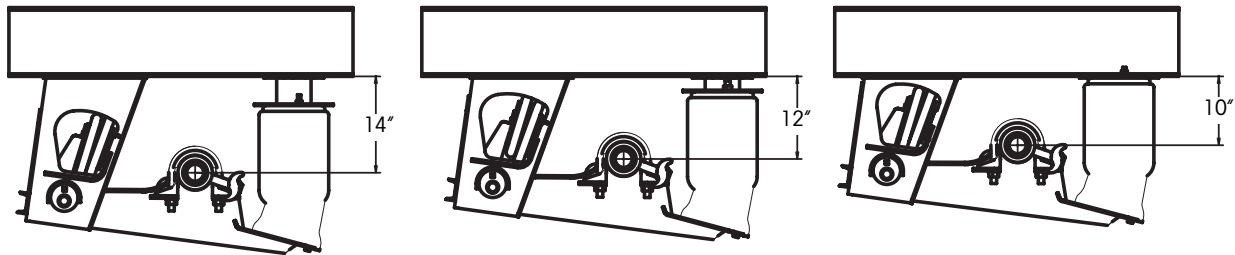
HLM-2 RIDE HEIGHT AND AXLE LIFT TABLE

		LOADED VEHICLE BOTTOM OF FRAME TO GROUND (inches)													
LOADED TIRE RADIUS (inches)	15 →	24.0	24.5	25.0	25.5	26.0	26.0	26.5	27.0	27.0	27.5	28.0	28.5	29.0	
	16 →	25.0	25.5	26.0	26.5	27.0	27.0	27.5	28.0	28.0	28.5	29.0	29.5	30.0	
	17 →	26.0	26.5	27.0	27.5	28.0	28.0	28.5	29.0	29.0	29.5	30.0	30.5	31.0	
	18 →	27.0	27.5	28.0	28.5	29.0	29.0	29.5	30.0	30.0	30.5	31.0	31.5	32.0	
	19 →	28.0	28.5	29.0	29.5	30.0	30.0	30.5	31.0	31.0	31.5	32.0	32.5	33.0	
	20 →	29.0	29.5	30.0	30.5	31.0	31.0	31.5	32.0	32.0	32.5	33.0	33.5	34.0	
	21 →	30.0	30.5	31.0	31.5	32.0	32.0	32.5	33.0	33.0	33.5	34.0	34.5	35.0	
	22 →	31.0	31.5	32.0	32.5	33.0	33.0	33.5	34.0	34.0	34.5	35.0	35.5	36.0	
		↓	↓	↓	↓	↓	↓	↓	↓	↓	↓	↓	↓	↓	
AXLE SEAT		A (9.0" to 11.0")					B (11.0" to 12.0")			C (12.0" to 13.5")					
RIDE HEIGHT		9.0	9.5	10.0	10.5	11.0	11.0	11.5	12.0	12.0	12.5	13.0	13.5	14.0	
AXLE LIFT		4.5	5.0	5.5	6.0	6.5	5.0	5.5	6.0	4.5	5.0	5.5	6.0	6.5	
REBOUND		5.5	5.0	4.5	4.0	3.5	5.0	4.5	4.0	5.5	5.0	4.5	4.0	3.5	

To determine the ride height and axle lift:

1. Start on the left side of the HLM-2 RIDE HEIGHT AND AXLE LIFT table, find the row that has your loaded tire radius (first column.)
2. Move across the row to the right and find the column that has your loaded vehicle frame-to-ground dimension.
3. Follow the column to below the arrows to find your axle seat, ride height, axle lift and rebound.

NEW RIDE HEIGHTS AVAILABLE FOR TRAILER MOUNT



PERFORMANCE CHART FOR HLM-2

AXLE LIFT (inches)	REQUIRED AIR PRESSURE (PSI) @									
	8,000 lbs.	10,000 lbs.	12,000 lbs.	14,000 lbs.	16,000 lbs.	18,000 lbs.	20,000 lbs.	*22,000 lbs.	*25,000 lbs.	
4.5	26	34	42	50	58	67	74	81	93	
5.5	28	36	44	52	60	68	76	84	96	
6.5	30	38	47	55	63	71	80	90	102	

\* 22,000 and 25,000 lbs. ratings apply only to tag axle models.



### SUSPENSION/APPLICATION DATA

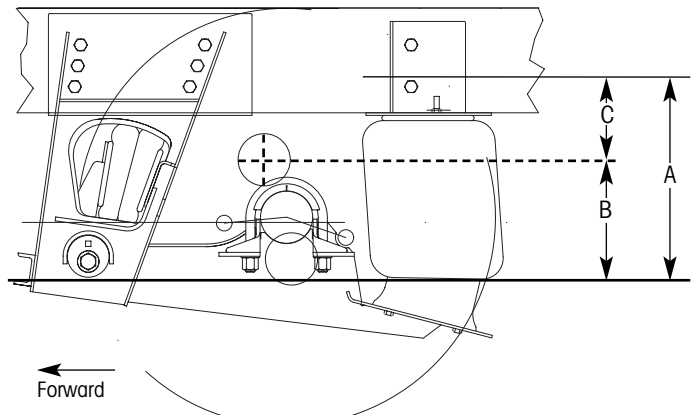
CAPACITY	Up to 25,000 pounds
WEIGHT	Truck: 1,125 pounds; Trailer: 1,100 pounds
APPLICATIONS	Vocational truck and trailer
AXLE ARRANGEMENTS	Fixed axle pusher and tag

### CALCULATING RIDE HEIGHT

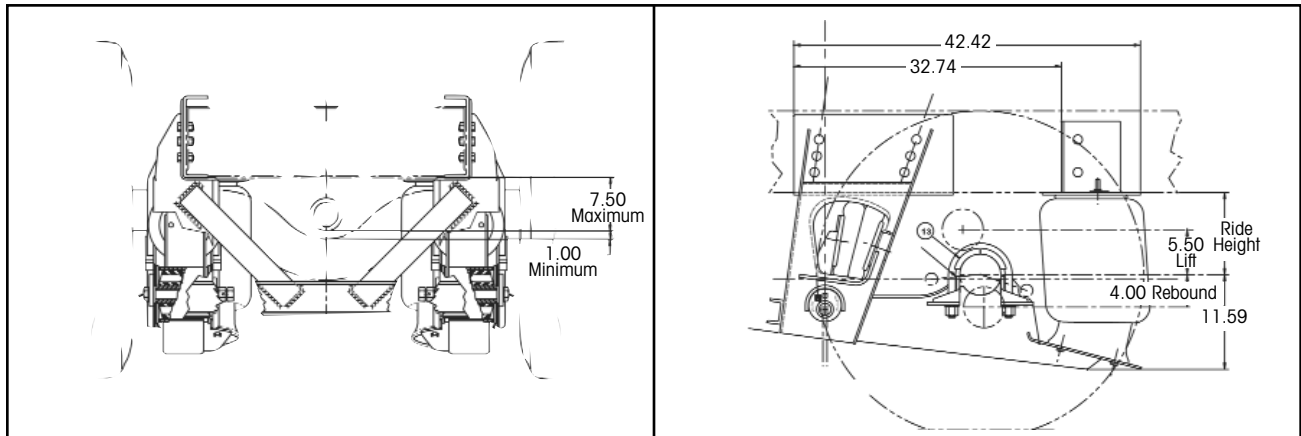
- A.) Loaded frame to ground measurement
- B.) Loaded tire radius
- C.) Ride height

To calculate ride height, subtract B from A  
 $A - B = C$

Example:  
 32.0 inch loaded frame to ground  
 - 19.5 inch loaded tire radius  
 12.5 inch ride height



### SUSPENSION DIMENSIONS



# PART NUMBER GUIDE

## HLM-2 SERIES

### FIXED AXLE 16,000 TO 25,000 LBS. STYLE SERIES SUSPENSION

#### Non-Steer Axle

A = 71.5 Track Pusher 16.5 x 7  
 B = 71.5 Track Tag 16.5 x 7  
 C = 77.5 Track Tag 16.5 x 7  
 1 = 70.5 Track Pusher Type R  
 2 = 71.5 Track 9" DP 16.5 x 7  
 3 = 70.5 Track Pusher 6" DP  
 4 = 70.5 Track Tag 8 Hole  
 8 = 71.5 Track Pusher 6" DP 10 Hole 6.5 x 7  
 9 = 71.5 Track Tag 10 Hole 16.5 x 7

I = 71.5 Track Pusher 16.5 x 5  
 L = 73 Track Tag 16.5 x 5  
 M = 79 Track Tag 16.5 x 5

R = 71.5 Track Pusher 12.25 x 7.5  
 S = 71.5 Track Tag 12.25 x 7.5

X = Kit (no axle)

#### Wheel End Equipment

16 = 20" 5 Spoke 16.5 x 5  
 20 = H/D SP 16.5 x 5  
 21 = H/D HP 16.5 x 5

31 = 15" 3 Spoke 12.25 x 7.5  
 32 = H/D SP 12.25 x 7.5  
 41 = 20" 5 Spoke 16.5 x 7  
 42 = 22" 5 Spoke 16.5 x 7  
 43 = 20" 6 Spoke 16.5 x 7  
 44 = 22" 6 Spoke 16.5 x 7  
 46 = 20" 5 Spoke 16.5 x 7 ST  
 47 = H/D SP 16.5 x 7 S  
 48 = H/D SP 16.5 x 7 A  
 49 = H/D HP 16.5 x 7  
 50 = AH SP 16.5 x 7  
 51 = AH HP 16.5 x 7  
 53 = H/D SP 16.5 x 7 SST

54 = H/D HP 16.5 x 7 SST  
 82 = 20" 5 Spoke DT ABS  
 87 = H/D HP 16.5 x 7 ABS

XX = No Wheel Equipment

#### Slacks

A = Auto Slack 6.0 Bendix  
 G = Auto Slack 6.0 Curved Haldex  
 X = No Slack

#### Pre-Plumbed Package

P = Welded Frame Width  
 XP = Not Welded (Frame Width)  
 Blank = Standard

#### Capacity

16 = 16,000 lbs. (Axles I, L, M, R, S)  
 20 = 20,000 lbs. (Axles A, D, 1, 2, 3)  
 22 = 22,000 lbs. (Axles B, C, 4)  
 25 = 25,000 lbs. (Axles 8, 9)

# M

#### Type

A = Truck 12.25 Brake  
 T = Truck Suspension  
 W = Weld on Trailer

#### Ride Height\*

A = 9" to 11"  
 B = 11.0" to 12"  
 C = 12.0" to 13.5"  
 E = 16.0" nominal

#### Frame Width in Inches

A = 33.0      I = 39.5  
 B = 33.5      J = 40.0  
 C = 34.0      K = 40.5  
 D = 34.5      L = 41.0  
 E = 35.0      M = 33.25  
 F = 38.0      N = 33.75  
 G = 38.5      O = 34.25  
 H = 39.0      P = 34.75  
 Blank = Not Welded

#### Brake Chamber Size

1 = Type 30  
 2 = Type 30/30  
 3 = Type 24/24  
 4 = Type 20  
 5 = No Chambers  
 6 = Type 24  
 Blank = Standard Size

\*TO CALCULATE RIDE HEIGHT, SEE PAGE 3.

Visit <http://www.hendrickson-intl.com/products/liftaxleconfig/> to configure your part number on-line.

For further information regarding lift axles, please call Hendrickson Customer Service at 800-660-2829 in the United States or 800-668-5360 in Canada.

[www.hendrickson-intl.com](http://www.hendrickson-intl.com)



Auxiliary Axle Systems  
 277 North High Street  
 Hebron, OH 43025 USA  
 740.929.5600  
 Fax 740.929.5601

Auxiliary Axle Systems  
 250 Chrysler Drive, Unit #3  
 Brampton, ON L6S 6B6 Canada  
 905.789.1030  
 Fax 905.789.1033