



KEY NO.	PART NO.	DESCRIPTION	NO.REQ.
1		***Equalizing Beam Assembly, 400/460	2
	64846-003	52", with Shock Bracket	
	64847-003	52", w/o Shock Bracket	
	64846-001	54", with Shock Bracket	
	64847-001	54", w/o Shock Bracket	
	64846-002	60", with Shock Bracket	
	64847-002	60", w/o Shock Bracket	
	34013-088L	Bar Pin Bushing Service Kit, One Wheel End, Includes Key Nos. 2-6	
	34013-188L	Rotating Bar Pin Bushing Service Kit, Optional, One Wheel End, Includes Key Nos. 2-6	
2		*Bar Pin Bushing	4
	56659-005	Equalizing Beam End Fastener Kit, Per Beam, Includes Key Nos. 3-5	
3	48941-000	1"-8 UNC Hex 6.0" Bolt	8
4	22962-008	1" Hardened Washer	16
5	48942-000	1"-8 UNC Locknut	8
6		Bar Pin Shim	8
	50130-000	0.19" / 0.19" Standard	
	50131-000	0.25" / 0.12" Optional	
	57974-051	Saddle Assembly Service Kit, Tandem Set, • HAULMAAX 400, Includes Key No. 7a and Kit No. 57974-048	
	57974-050	• HAULMAAX 460, Includes Key No. 7b and Kit No. 57974-049	
		Saddle Assembly	2
		• Vehicles built AFTER Jan. 12, 2003	
7a	64642-000	HAULMAAX 400	
7b	64643-000	HAULMAAX 460	
		• Vehicles built PRIOR to Jan. 13, 2003 <i>64829-000 (HAULMAAX 400) and 64828-000 (HAULMAAX 460) replace with Conversion Kits, see page 5</i>	
	57974-048	Saddle Assembly Fastener Kit, Tandem Set, • HAULMAAX 400, Includes Key Nos. 12-13, 18, 24-25, 27a, 28a, 34b, 35, 42-44	
	57974-049	• HAULMAAX 460, Includes Key Nos. 12-13, 17-19, 24-25, 27a, 28a, 34b, 35, 42-44	
8	60818-001	½"-13 UNC 1.5" Flange Bolt	4
9	60819-000	½"-13 UNC Flange Nut	4
	64179-028	Rebound Strap Service Kit, One Side, Includes Key Nos. 10-15	
	64179-045	Rebound Strap Enhancement Service Kit, Tandem Set, see Page 6	
10	57878-003	Rebound Strap	2
11	60612-000	Rebound Clip	2
12	60818-002	½"-13 UNC 2.25" Flange Bolt	4
13	60819-000	½"-13 UNC Flange Nut	4
14	21867-007	¾"-16 UNF 6.0" Hex Bolt	2
15	30191-000	¾"-16 UNF Locknut	2
	64179-037	**Tie-bar Bolster Spring Service Kit, One Side, Includes Key Nos. 16-19	
	64179-048	**Tie-bar Bolster Spring Service Kit with Wear Plate, One Side Includes Key Nos. 16-19, 22	
16		*Tie-bar Bolster Spring	8
17	60818-003	½"-13 UNC 10.0" Flange Bolt	4
18	60819-000	½"-13 UNC Flange Nut	36
19	65742-000	Bolster Spring Spacer	4
	64179-002	**Bolster Spring Service Kit, One Side, Includes Key Nos. 20-21	
	64179-049	**Bolster Spring Service Kit with Wear Plate, One Side, Includes Key Nos. 20-22	
20		*Bolster Spring	8
21	60819-000	½"-13 UNC Flange Nut	32
22	64890-000	Wear Plate <i>Replaces 60498-001 and 60498-002</i>	4

KEY NO.	PART NO.	DESCRIPTION	NO.REQ.
	64179-004	Auxiliary Spring Service Kit, One Side, Includes Key Nos. 23-25	
	65902-004	Progressive Rate Auxiliary Spring Service Kit, One Side, see Page 6	
23	60314-000	Standard Auxiliary Spring	2
24	60818-002	½"-13 UNC 2.25" Flange Bolt	6
25	60819-000	½"-13 UNC Flange Nut	6
	57974-046	Contact Plate Kit w/Fasteners, One Side, Includes Key Nos. 26, 27a, 28a	
26		Auxiliary Spring Contact Plate	2
27a	67290-001	• Vehicles built after 11/07 ⅝"-11 UNC 1.5" Dacromet XL Flange Bolt	8
27b	60818-001	• Vehicles built prior to 11/07 ***½"-13 UNC 1.5" Flange Bolt	
28a	67291-000	• Vehicles built after 11/07 ⅝"-11 UNC Dacromet XL Flange Nut	8
28b	60819-000	• Vehicles built prior to 11/07 ***½"-13 UNC Flange Nut	
29	22962-014	***Auxiliary Spring Contact Plate Spacer • Vehicles built prior to 11/07	8
30	60613-000	Rebound Support Angle	2
31	59384-000	Auxiliary Spring Bracket	2
32	60874-000	Auxiliary Spring Spacer	2
33	60791-000	Auxiliary Spring Shim - 0.25"	6
34a	60818-001	½"-13 UNC 1.5" Flange Bolt - Standard	4
34b	60818-002	½"-13 UNC 2.25" Flange Bolt - Optional	
35	60819-000	½"-13 UNC Flange Nut	4
36a		Outboard Frame Bracket • Vehicles built after Jan. 12, 2003 <i>see page 5 for Service Kits</i>	2
36b		• Paccar vehicles prior to Jan. 13, 2003 <i>see page 5 for Conversion Service Kits</i>	
37		Inboard Frame Bracket, <i>see page 5</i>	2
38	32043-004	⅝"-11 UNC 2.25" Hex Bolt *****M16 Hex Bolt	12
39	22962-004	⅝" Hardened Washer *****M16 Hardened Washer	24
40	47764-000	⅝"-11 UNC Locknut *****M16 Locknut	12
41		Inboard Spacer (<i>if equipped</i>)	As Req.
	60618-001	⅛" (For Freightliner Vehicles w/insert; For Paccar Vehicles - ⅜" Frame Rail w/insert and ½" Frame Rail w/o insert)	
	60618-002	⅜" (For Paccar Vehicles - ⅜" Frame Rail with 2 inserts)	
	64179-038	Outboard Frame Bracket to Saddle Assembly Fastener Kit, Tandem Set, Includes Key Nos. 42-44	
	64179-039	Outboard Frame Bracket to Saddle Assembly Fastener Kit, One Side, Includes Key Nos. 42-44	
42	58258-014	M20 x 2.5-6G 65 mm Hex Bolt	20
43	58246-018	M20 Hardened Washer	40
44	58259-001	M20 x 2.5-6H Locknut	20
45	60304-000	Upper Shock Bracket (<i>if equipped</i>)	4
		Shock Absorber Service Kit, One Wheel End, Includes Key Nos. 46-50	
	64178-005	16.5" Saddle Ht.	
	64178-006	17.5"/18.5" Saddle Ht.	
		Aftermarket Shock Absorber Service Kits, Tandem Set, see Page 6	
46		Shock Absorber Assembly, Includes Key No. 47	4
	60680-004L	16.5" Saddle Ht.	
	60680-005L	17.5"/18.5" Saddle Ht.	
47		*Retaining Washer and Bushing	8
48	32043-005	⅝"-11 UNC 4.25" Hex Bolt	4
49	22962-004	⅝" Hardened Washer	8
50	47764-000	⅝"-11 UNC Locknut	4

KEY NO.	PART NO.	DESCRIPTION	NO.REQ.	KEY NO.	PART NO.	DESCRIPTION	NO.REQ.
51		ULTRA ROD® Longitudinal Torque Rod Straddle/Straddle Assembly, Includes Key No. 52		60215-000		ULTRA ROD Two-Piece Torque Rod Kit Optional Transverse Straddle/Taper Assembly, Includes Bushings	2
	62000-XXX	Front, Specify Length in mm	1	54	64697-000H	ULTRA ROD Taper Bushing	2
	62001-XXX	Rear, Specify Length in mm	1	55	47691-000L	ULTRA ROD Straddle Bushing	2
	60218-000	ULTRA ROD Two-Piece Torque Rod Kit Optional Longitudinal Straddle/Straddle Assembly, Includes Bushings	2	56		****Transverse Rod Axle Bracket	2
52	47691-000L	ULTRA ROD Straddle Bushing	4	57	22186-000	Transverse Rod Frame Bracket	2
53	62350-XXX	****ULTRA ROD Transverse Torque Rod Straddle/Taper Assembly, Specify Length in mm, Includes Key Nos. 54-55	2	58	45045-003	Back-up Plate (for Torque Rod)	2

NOTES

- * Item included in assembly only, part not sold separately.
- ** HAULMAAX 460 suspensions that were built with the previous bolster spring version must be serviced with the new tie-bar bolster spring Kit No. 64179-037. All HAULMAAX 400 suspensions can continue to be serviced using the existing bolster springs Kit No. 64179-002 or if preferred, can be replaced with the tie-bar bolster spring Kit No. 64179-037. Refer to Hendrickson Technical Bulletin SEU-0225 for more information.
- *** For vehicles built prior to November 2007, when replacing the auxiliary spring contact plate or equalizing beam, Kit No. 57974-046 is required. The kit will include the larger diameter fasteners, instructions to address adjustments necessary and will eliminate the need for Key No. 29, auxiliary spring contact plate spacers.
- **** Transverse rods are mandatory for HAULMAAX suspension regardless of axle spacing. See literature no. 59310-004 for more information.
- ***** Not supplied by Hendrickson, used for reference only. Refer to vehicle manufacturer for more information. Hendrickson is not responsible for components supplied by vehicle manufacturer.



OUTBOARD FRAME BRACKET SERVICE KITS — Vehicles Built AFTER January 13, 2003

KEY NO. 36a		Outboard Frame Bracket Saddle Height					
Vehicle Manufacturer	Frame Width	16.5"	17.5"	18.5"	20.25"	22.5"	25.5"
Autocar	34"	64595-611	64595-612	64595-613			
CCC	34"	64595-801 <i>Replaces 664595-001</i>					
Freightliner	34.3" - 34.5"	64636-001	64636-002	64636-003			
GM	34.75"		64595-701				
International Truck	34.12" - 34.25"	64595-101			64595-105	64595-107	
	34.68" - 34.94"	64595-104		64595-114	64595-106	64595-108	64595-110
Mack	33.5"	64595-301	64595-302	64595-303			
Oshkosh	34"			64595-003			
Paccar	34"	64595-001	64595-002	64595-003	64595-105		
	34.75"	64595-004	64595-005	64595-006			
Volvo	33.5"	64595-301					
Western Star	34"	64595-001	64595-002	64595-003			
KEY NO. 37		Inboard Frame Bracket					
Autocar	34"	60617-601	60617-602	60617-603			
CCC	34"	65078-001					
Freightliner	34.3"-34.5"	60617-501	60617-502	60617-503			
GM	34.75"		60617-701				
International Truck	34.12" - 34.25"	60617-101		60617-104	60617-103	60617-103	69681-000
	34.68" - 34.94"						
Mack	54"	33.5"	64988-301	64988-301	64988-301		
	52"-60"		64988-311	64988-311	64988-311		
Oshkosh	34"			65078-003			
Paccar with insert	34"	65078-001	65078-002	65078-003	65078-003		
	34.75"						
Paccar without insert	34"	65079-001	65079-002	65079-003			
	34.75"						
Volvo	54"	33.5"	64988-302				
	60"-72.5"		64988-312				
Western Star	34"	60617-501	60617-502	60617-503			

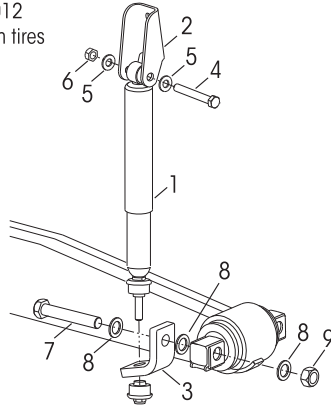
PACCAR ONLY — Vehicles Built PRIOR to January 13, 2003
Outboard Frame Bracket and Saddle Assembly Conversion Kits

	Saddle Height	Frame Width	*OUTBOARD FRAME BRACKET (Original Part No.)	**SADDLE ASSEMBLY (Original Part No.)	
				64829-000	64828-000
				40,000 lbs. Capacity	46,000 lbs. Capacity
	16.5"	34"	59399-001	57974-024	57974-030
	17.5"	34"	59399-002	57974-025	57974-031
	18.5"	34"	59399-003	57974-026	57974-032
	16.5"	34.75"	59399-004	57974-027	57974-033
	17.5"	34.75"	59399-005	57974-028	57974-034
	18.5"	34.75"	59399-006	57974-034	57974-035
***57974-XXX CONVERSION KIT CONTENTS			NOTE: * Any customer replacing a 59399- series outboard frame brackets must also update the saddle assembly and hardware using a 57974 series kit. Two kits are necessary to convert one vehicle. ** Any customer replacing a 64829-000 or 64828-000 saddle assembly must also update the outboard frame bracket and hardware. Two kits needed per vehicle. *** For replacement kit Assembly Instructions, see Literature No. 59310-020.		
Key No.	Description	Qty.			
36a	Outboard Frame Bracket	1			
7	Saddle Assembly	1			
38	5/8"-11 UNC Hex Bolt 2.25"	14			
39	5/8" Hardened Washer	28			
40	5/8"-11 UNC Locknut	14			
42	M20 x 2.5"-6G Hex Bolt 65 MM	10			
43	M20 Hardened Washer	20			
44	M20 x 2.5"-6H Locknut	10			



Service Kit Nos. Saddle Ht. | Aftermarket Shock Absorber Tandem Set
64178-003 16.5"
64178-004 17.5"/18.5"
64178-009 16.5" (Mack) | for Equalizing beams not equipped with lower shock mount

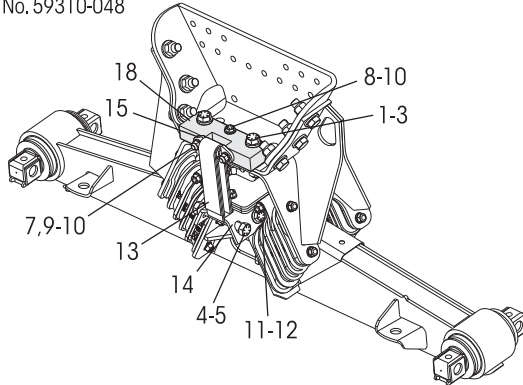
Reference Lit. No. 59310-012
 Not available with 315 mm tires



KEY NO.	PART NO.	DESCRIPTION	QTY.
1		Shock Absorber Assembly	4
	60680-004L	16.5" Saddle Ht.	
	60680-005L	17.5"/18.5" Saddle Ht.	
2	64146-000	Upper Shock Bracket	4
3	64148-001	Lower Shock Bracket Front	2
	64148-002	Lower Shock Bracket Rear (Not Shown)	2
4	32043-005	5/8"-11 UNC 4.5" Hex Bolt	4
5	22962-004	5/8" Hardened Washer	8
6	47764-000	5/8"-11 UNC Locknut	4
7	48941-001	1"-8 UNC 6.75" Hex Bolt	4
8	22962-008	1" Hardened Washer	12
9	48942-000	1"-8 UNC Locknut	4

Service Kit No. | Rebound Strap Enhancement Tandem Set
64179-045 | for Outtrigger Applications

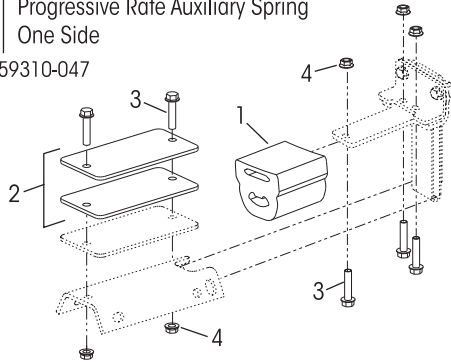
Reference Lit. No. 59310-048



KEY NO.	PART NO.	DESCRIPTION	QTY.
1	21867-007	3/4"-16 UNF 6.0" Bolt	4
2	30191-000	3/4"-16 UNF Locknut	4
3	22962-001	3/4" Hardened Washer	4
4	50764-016	3/4"-10 UNC 4.0" Bolt	4
5	66137-000	3/4"-10 UNC Flange Locknut	4
6	60818-001	1/2"-13 UNC 1.5" Flange Bolt (Not Shown)	4
7	24531-009	1/2"-13 UNC 4.0" Bolt	12
8	24531-014	1/2"-13 UNC 5.0" Bolt	2
9	60819-000	1/2"-13 UNC Flange Nut	18
10	22962-011	1/2" Hardened Washer	14
11	67290-001	5/8"-11 UNC 1.5" Flange Bolt	8
12	67291-000	5/8"-11 UNC Flange Nut	8
13	57878-017	Rebound Strap	4
14	59191-002	Auxiliary Spring Contact Plate	2
15	60612-000	Rebound Clip	2
16	60874-001	Auxiliary Spring Spacer (Not Shown)	2
17	68851-001	Inboard Rebound Support Block (Not Shown)	2
18	69026-000	Outboard Rebound Support Block	2

Service Kit No. | Progressive Rate Auxiliary Spring One Side
65902-004

Reference Lit. No. 59310-047



KEY NO.	PART NO.	DESCRIPTION	QTY.
1	67778-000	Progressive Rate Auxiliary Spring	1
2	60791-000	Auxiliary Spring Shim	2
3	60818-002	1/2" Flange Bolt	5
4	60819-000	1/2" Flange Nut	5

This is a general parts list to provide directional information. Components may vary by model. Questions in regards to parts, contact Hendrickson Truck Parts toll-free at 866.755.5968 or email: truckparts@hendrickson-intl.com.

www.hendrickson-intl.com



Truck Suspension Systems
 800 South Frontage Road
 Woodridge, IL 60517-4904 USA

630.910.2800
 Fax 630.910.2899