

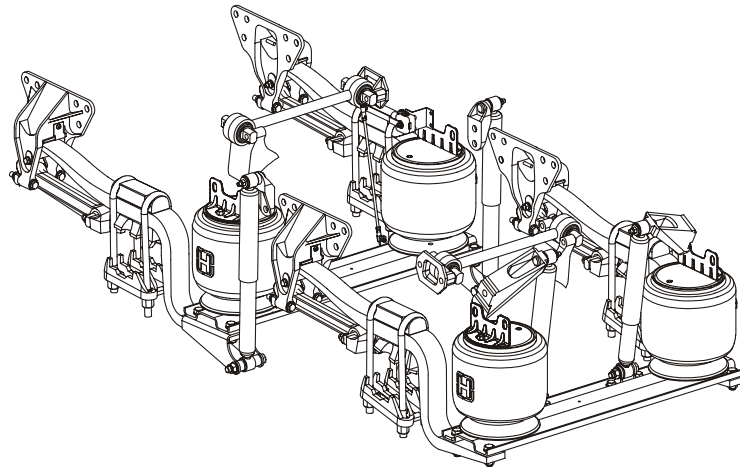
TECHNICAL BULLETIN

HAS 400/402/460

LIT NO: SEU-9501

SUBJECT: HAS Inboard Shock Absorber Option

DATE: August 1997 REVISION: B



HAS With Inboard Shock Option

Hendrickson now offers the option to relocate the shock absorbers inboard on the HAS suspension. This option is ideal for those operators requiring greater rear suspension clearance in applications such as dump trucks used in paving operations or other vocational applications that may require a minimal amount of rear frame length or suspension overhang.

This kit is available for the HAS400, HAS402 and the HAS460 suspensions. This kit is not designed for the on highway only HAS40LH. The kit includes 1 crosschannel/lower shock bracket, 2 upper shock brackets, 2 shock absorbers and 1 fastener kit. The following kits are available for axle dowel pin center between 40" and 40.625" and are installed only on the rear axle.

Kit	Axle Dowel Pin Centers
57784-001	40" Dowel Pin Centers
57784-002	40.25" Dowel Pin Centers
57784-003	40.5" Dowel Pin Centers
57784-004	40.625" Dowel Pin Centers

The HAS inboard shock absorber option allows the user to utilize the vehicle in vocational applications. For more information contact your local Hendrickson parts supplier, truck dealer or call Hendrickson at 630-910-2800.

HENDRICKSON

Information contained in this literature was accurate at the time of publication. Product changes may have been made after the copyright date that are not reflected.

No. SEU-9501 Rev B 8-97

Truck Suspension Systems
800 South Frontage Road
Woodridge, IL 60517-4904 USA

630.910.2800
Fax 630.910.2960

www.hendrickson-intl.com

The Boler Company.
Copyright © 1996
All Rights Reserved.