



TRAILER AIR SUSPENSIONS

H TECHNICAL BULLETIN

This document replaces
Trailer AUS 033 and 49441-100

No: 97117-175

Subject: *Quik-Align Retrofit*

Date: June 2007 Revision: A

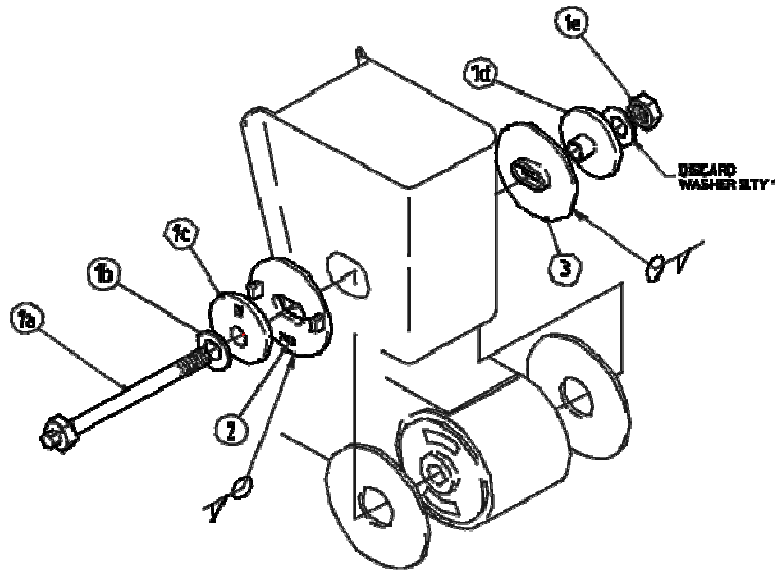


Figure 1

Description and Operation

Quik-Align™ makes it possible to align axles in just minutes. It is now standard on all current Intraax & HT suspensions.

An outboard, adjustable eccentric (item 1b) replaces the welded alignment collar at the Tri-Functional Bushing pivot connection. Rotating the eccentric adjusts the axle, fore and aft, in a straight line.

The pivot connection is clamped together with a shear head bolt which eliminates the need for a torque wrench because the head shears off at 550 ft-lbs

The Quik-Align™ retrofit kit, part number 98690-001 allows previous model of HT230 and HT250 series suspensions to be updated to incorporate these features.

WARNING - DO NOT MODIFY PARTS OTHER THAN OUTLINED IN THIS PUBLICATION.

USE OF A MODIFIED OR SUBSTITUTE PART IS NOT RECOMMENDED BECAUSE THE PART MAY NOT MEET HENDRICKSON'S SPECIFICATIONS, WHICH COULD LEAD TO FAILURE OF THE PART, LOSS OF VEHICLE CONTROL AND/OR PERSONAL INJURY.

Procedure

1. Support the trailer frame utilising appropriate stands and chock the wheels of the trailer.
2. Exhaust all air from the air springs.
3. Remove the original pivot fastener and lower the suspension beam away from the hanger.
4. Inspect the thrust washers and replace if worn.
5. Remove the alignment collar by grinding off the original weld.

Note: *Ensure that no parent metal is removed from the frame hanger.*

6. Insert items 2 and 3 into the hanger as in *Figure 1*.
7. Ensure item 2 is orientated with the part number to the bottom and located outboard of the hanger.
8. Assemble the suspension beam, thrust washers and remaining Quik-Align™ kit as shown.
9. Assemble the remaining kit components as shown and tighten the pivot bolt until it contacts the washer/flange adaptors however do not torque the bolt.

Note: *Discard one of the 7/8" hardened flat washers from the hardware kit as shown in Figure 1.*

10. Using a copper hammer, strike both the flange adaptors (*item 2 and 3*) to ensure they are correctly seated in the hanger slots with the adaptors as far forward as possible.

Weld the adaptors to the hangers as specified in *Figure 1*.

11. Remove the pivot bolt and eccentric (*items 1*) and allow the welded adaptors to air cool.
12. Paint all effected areas to he trailer specification.
13. Assemble the suspension beam, thrust washers and remaining Quik-Align kit as shown. Do not torque the pivot bolt.

Note: *Ensure that the pivot bolt head and the eccentric flanged washer are outboard with the square adjusting hole at the 12 o'clock position.*

14. Align the trailer axles to manufacturers specifications.
15. Use the 3/4-drive socket from Hendrickson, part number S-24303 until the pivot bolt head shears .
16. Use Fastener kit (*S-24679*) on any Quik-Align™ axle re-alignment or disassembly of the Quik-Align™ pivot connection to ensure proper torque without use of a torque wrench.

This bulletin contains product improvement Information only. Hendrickson is not liable for existing product.

WARNING: *Incorrect pivot bolt installation may result in loss of clamping force due to over or under torquing of the bolt resulting in damage to associated componentry, loss of vehicle control and possible injury or damage to property.*

If any further installation detail or assistance is required, contact the Hendrickson Product Support Department on +61 3 9767 3400 or an authorised repairer on 1300 130 960