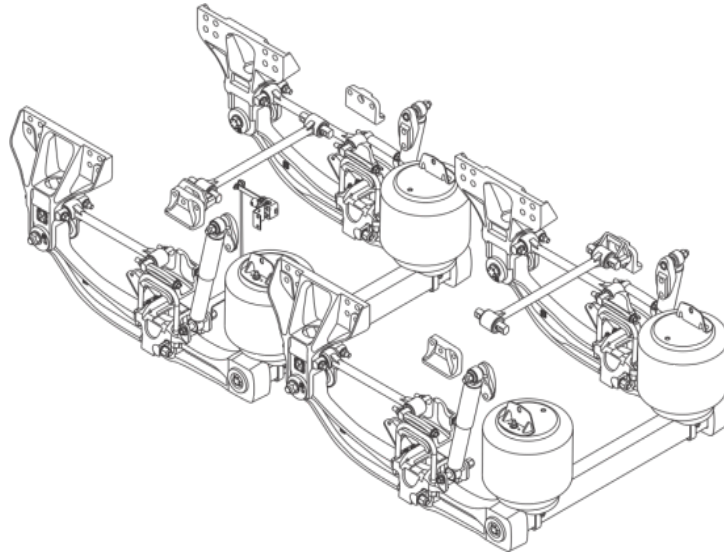


PARTS LIST

PRIMAAX EX 232/462/522

LIT NO: 97114-070

DATE: February 2017 REVISION: B



SECTION	PAGE
Introduction	2
Suspension Identification	3
U-Beam Measurement	4
Frame Width Measurement.....	4
PRIMAAX EX 232/462/522.....	5
Pivot Connection Hardware	7
Pivot Connection – Standard Duty.....	7
Pivot Connection – Severe Duty.....	7
U-Beam Assembly.....	8
Forward Axle	8
Rear Axle.....	8
Torque Rod Selection	9
Drum Brake	9
Disc Brake	9
Axle Caps – PRIMAAX EX 232/462	10
Top Cap.....	10
Bottom Cap	10
Axle Caps – PRIMAAX EX 522	11
Top Cap.....	11
Bottom Cap	11
Height Control Valve.....	12
U-Beam Assembly Upgrade Kits	13
Special Tools	14



Introduction

The purpose of this parts list is to document the available repair parts, accessories and special tools available for the Hendrickson PRIMAAX® Extreme (EX) 232/462/522 series suspension systems.

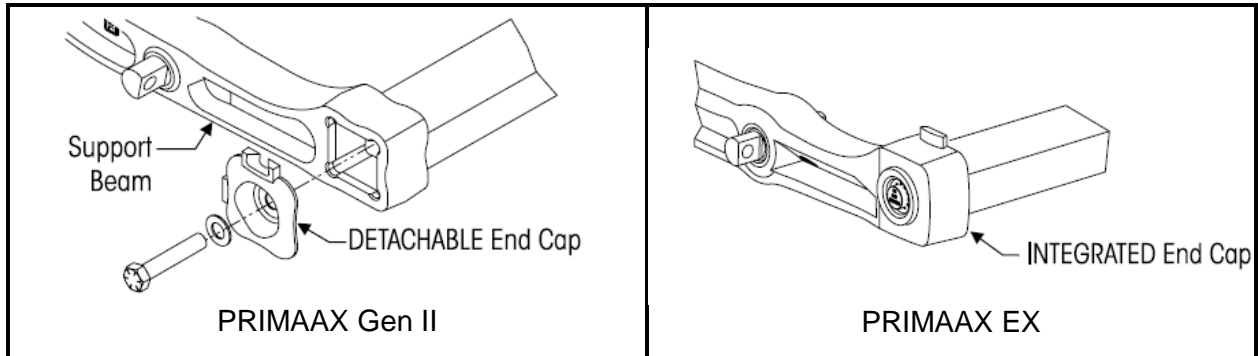
For earlier PRIMAAX® suspension systems please refer to 97117-109 or contact Hendrickson Asia Pacific on (03) 8792 3600.

NOTE: All quantities listed within this parts list are applicable for a single axle.

Suspension Identification

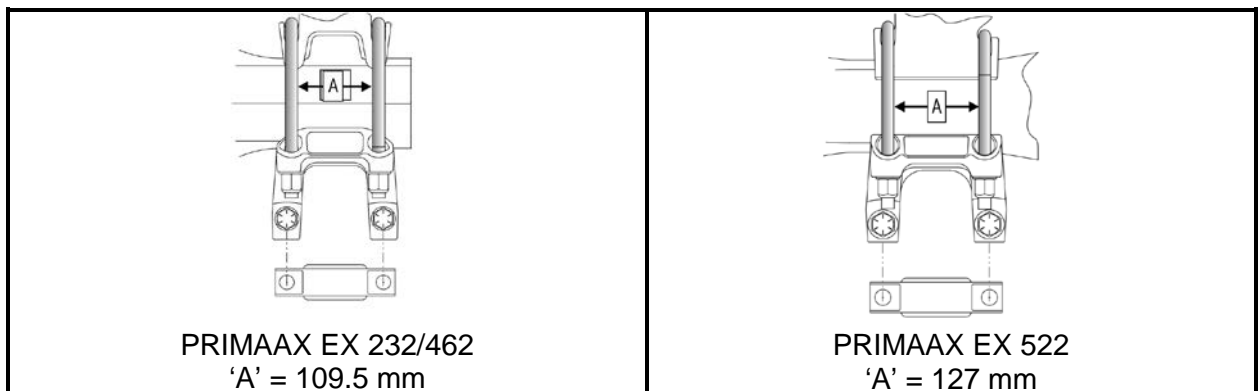
Please review the notes below to assist with the identification of the PRIMAAX model fitted to your vehicle.

PRIMAAX Generation



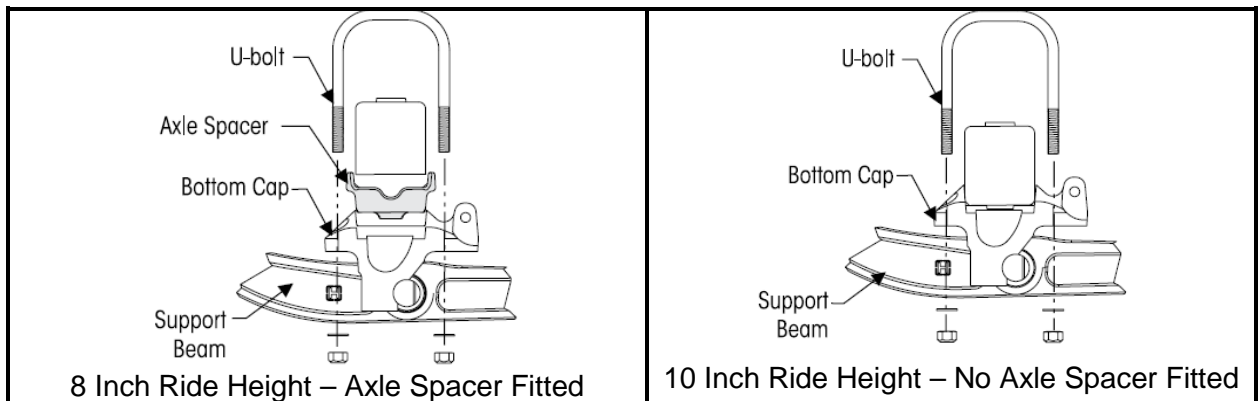
PRIMAAX EX can be identified by the integrated end cap.

232/462/522



PRIMAAX EX 232/462/522 can be identified by the U-bolt spacing.

Ride Height

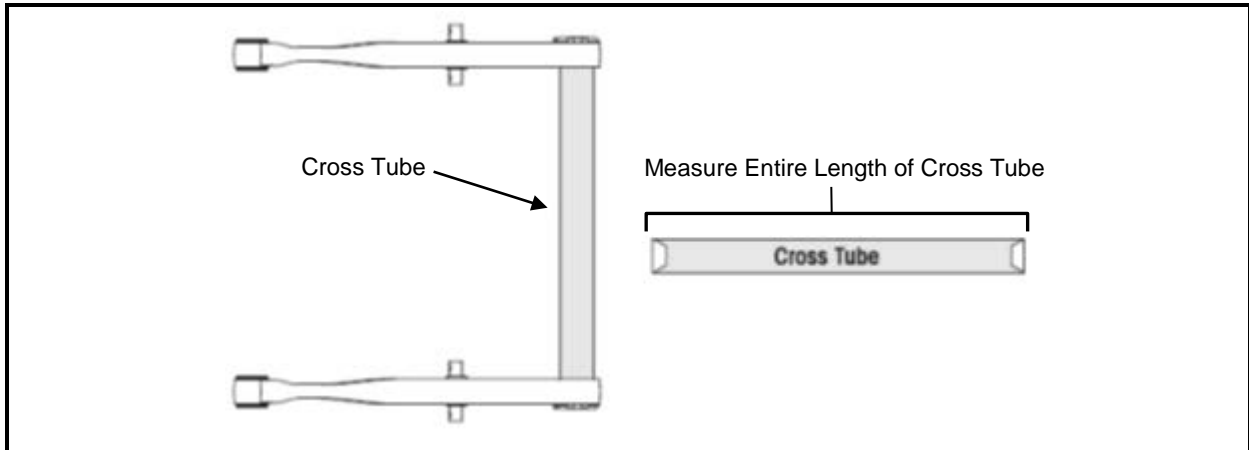


8-inch ride height can be identified by the presence of the axle spacer.

U-Beam Measurement

To ensure fitment of the correct U-beam for your suspension, please confirm the below measurements prior to ordering.

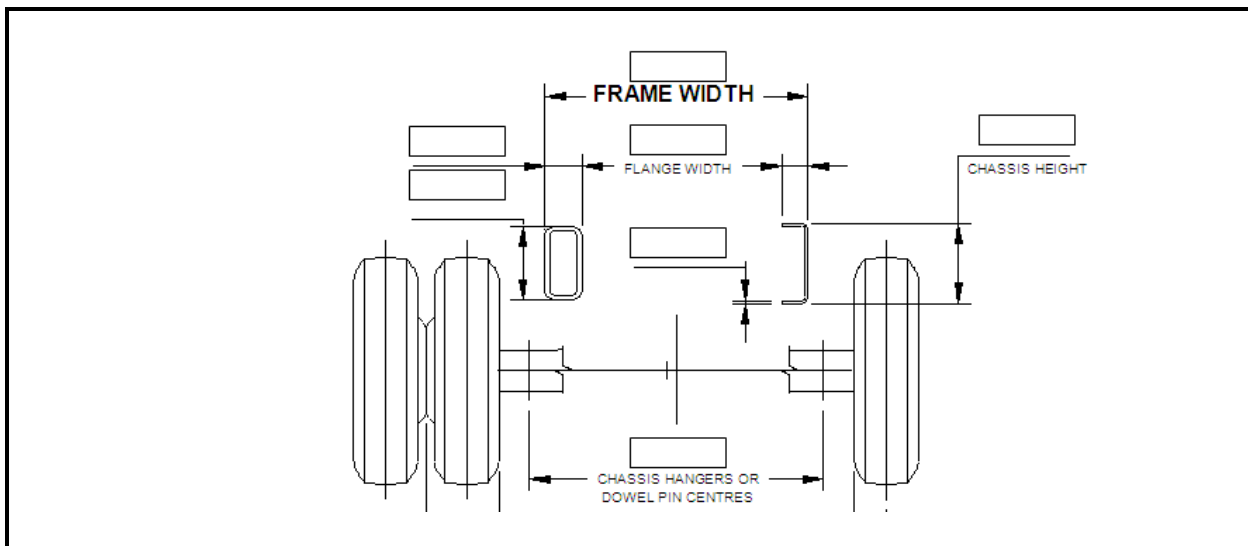
Cross Tube Measurement



To measure cross tube dimension correctly:

- Remove cross tube from the suspensions existing U-Beam assembly.
- End to end measurement is required to determine the correct U-Beam assembly part number.

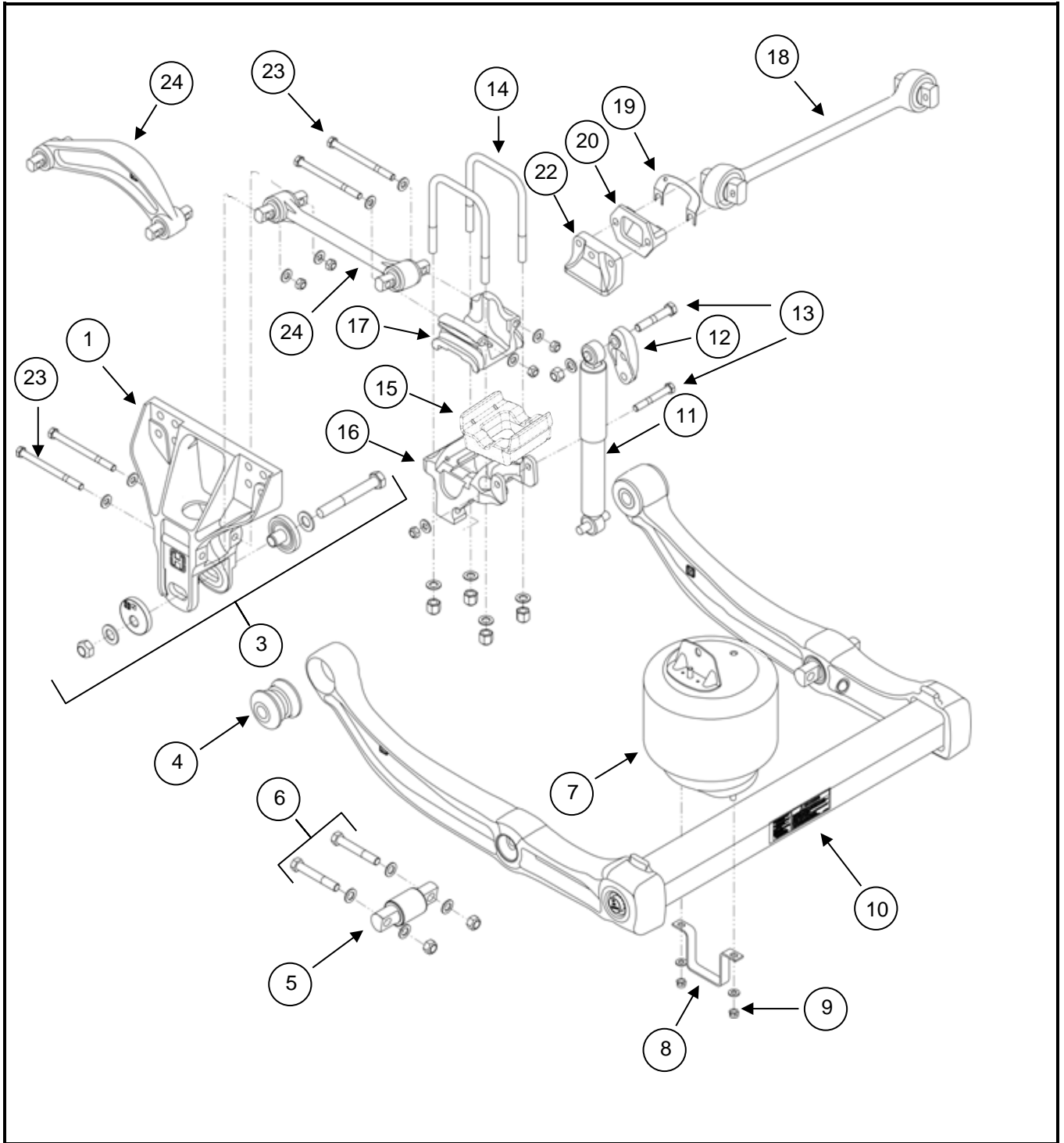
Frame Width Measurement



Frame width dimension is from outside of chassis to outside of chassis, If the vehicle is fitted with hanger spacer plates (between chassis and frame hanger) be sure to include the thickness in your total measurement -Frame 852 mm + Spacer plate (2 x 6 mm) = 864 mm.

Measurement must be taken at the front and rear hangers.

PRIMAAX EX 232/462/522

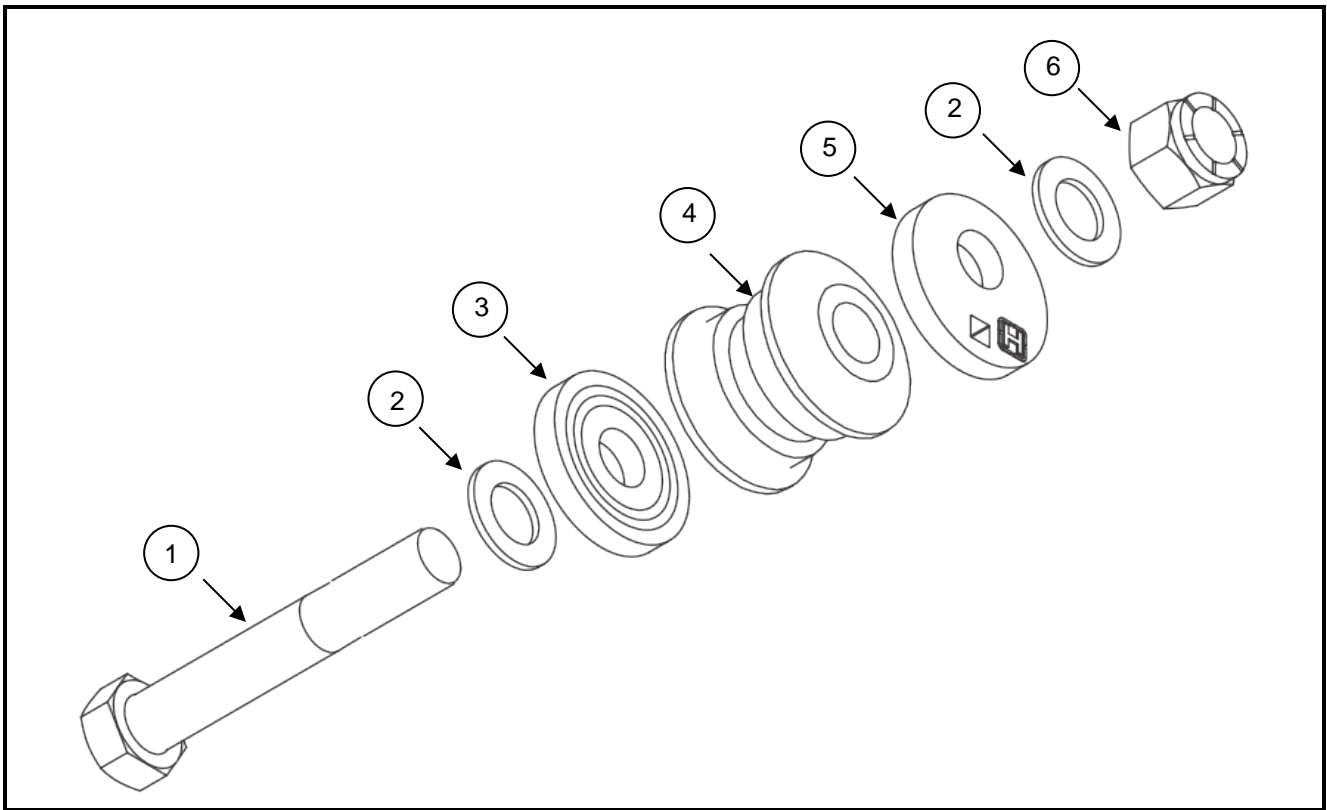




PRIMAAX EX 232/462/522

Item	Part Number	Description	Qty	Notes
1	67706-000	Frame Hanger, Cast	2	
	97109-009	Frame Hanger, Fabricated – LH	1	
	97109-010	Frame Hanger, Fabricated – RH	1	
2	97111-011	Hanger Spacer Plate - Fabricated Hanger	2	Not Illustrated
3	Refer page 7	Pivot Connection Hardware	-	
4	58648-000	Pivot Bush	2	Refer Note Below
5	60383-000	D Pin Bush	2	Suits 232/462
	65381-000	D Pin Bush	2	Suits 522
6	56659-003	D Pin Hardware Kit	2	Suits 232/462
	56659-010	D Pin Hardware Kit	2	Suits 522
7	98734-094	Air Spring	2	
8	60911-002	Lower Air Spring Bracket	2	
9	98111-012-P	Air Spring Hardware Kit	2	
10	Refer page 8	U-Beam Assembly	1	
11	98583-032	Shock Absorber	2	Suits 232/462
	98583-067	Shock Absorber	2	Suits 522
12	67463-002	Upper Shock Absorber Bracket	2	
13	50754-007	Shock Absorber Mounting Hardware	1	Suits 232/462
	50754-036	Shock Absorber Mounting Hardware	1	Suits 522
14	48718-127	U-Bolt Kit – 8.88 Inch Square	1	Suits 232/462 10 Inch Ride Height
	48718-128	U-Bolt Kit – 10.375 Inch Square	1	Suits 232/462 8 Inch Ride Height
	48718-117	U-Bolt Kit	1	Suits 522
15	65139-003	Axle Cap Spacer – 8 Inch Ride Height Only	2	Not Illustrated
16	Refer page 10	Axle Bottom Cap	2	
17	Refer page 10	Axle Top Cap	2	
18	58745-003	Transverse Torque Rod – 605.9 mm	1	Bush NSS
	58745-007	Transverse Torque Rod – 635 mm	1	Bush NSS
19	49689-000	Transverse Rod Shim	1	
20	22186-000	Transverse Rod Bracket	1	
21	45045-002	Transverse Bracket Spacer Plate – 6 mm	1	Not Illustrated
22	60593-000	Axle Stop Bracket	1	
23	98111-143	Longitudinal Rod Hardware	2	Cast Hanger
	98111-144	Longitudinal Rod Hardware	2	Fabricated Hanger
24	Refer page 9	Longitudinal Torque Rod Assembly	2	

Pivot Connection Hardware



Pivot Connection – Standard Duty

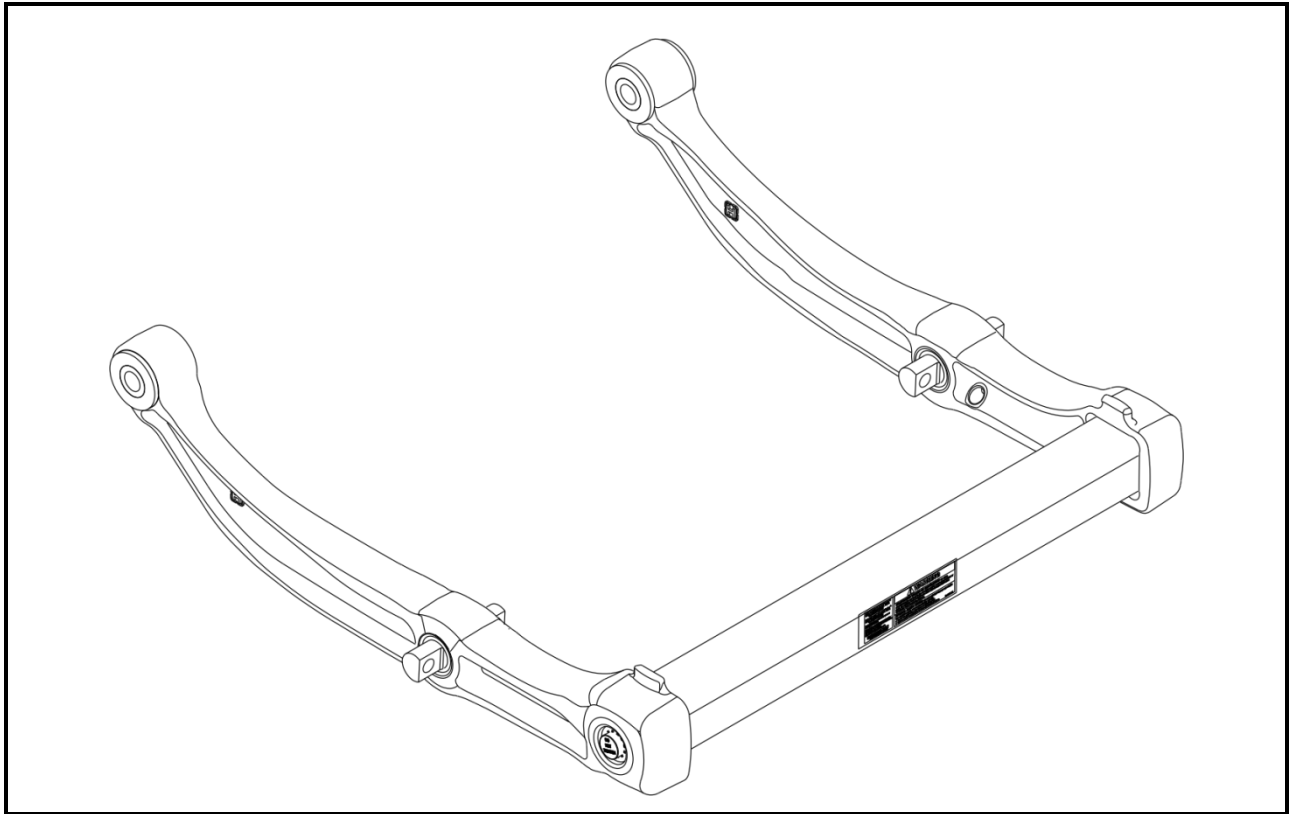
Item	Part Number	Description	Qty	Notes
1	NSS	Bolt – Hex Head - 1 Inch -14 UNF - 7.0 Inch	2	
2	NSS	Washer	4	
3	NSS	QUIK-ALIGN® Collar - Concentric	2	
4	58648-000	Pivot Bush	2	
5	NSS	QUIK-ALIGN Collar - Eccentric	2	
6	NSS	Lock Nut	2	
7	60632-018	QUIK-ALIGN Fastener Kit – Axle Set (Not Shown)	1	Includes Items 1, 2 & 6
8	60632-021	QUIK-ALIGN Fastener Kit – Axle Set (Not Shown)	1	Includes Items 1, 2, 3, 5 & 6
9	60632-020	QUIK-ALIGN Fastener & Bush Kit – Axle Set (Not Shown)	1	Includes Items 1, 2, 3, 4, 5 & 6

Pivot Connection – Severe Duty

Item	Part Number	Description	Qty	Notes
1	NSS	Bolt – Hex Head - 1 ¼ Inch -12 UNF - 8.0 Inch	2	
2	NSS	Washer	4	
3	NSS	QUIK-ALIGN Collar - Concentric	2	
4	58648-000	Pivot Bush	2	See note
5	NSS	QUIK-ALIGN Collar - Eccentric	2	
6	NSS	Lock Nut	2	
7	60632-015	QUIK-ALIGN Fastener Kit – Axle Set (Not Shown)	2	Includes Items 1, 2, 3, 5 & 6

NOTE: Check bolt and bush for clearance before tightening. In some instances, the pivot bush may need to be reamed to allow clear passage of the severe duty bolt.

U-Beam Assembly



Forward Axle

Part Number	Suits	Frame Width	Cross Tube	Notes
67249-004	232/462	864 mm	1053.5 mm	
67249-010	232/462	876-883 mm	1066 mm	Hanger Spacers required for 883 mm Frame
67249-012	232/462	872 mm	1061.25 mm	
97795-002	232/462	864 mm	1053.5 mm	Severe Duty Pivot Bush
97795-004	522	864 mm	1053.5 mm	Severe Duty Pivot Bush

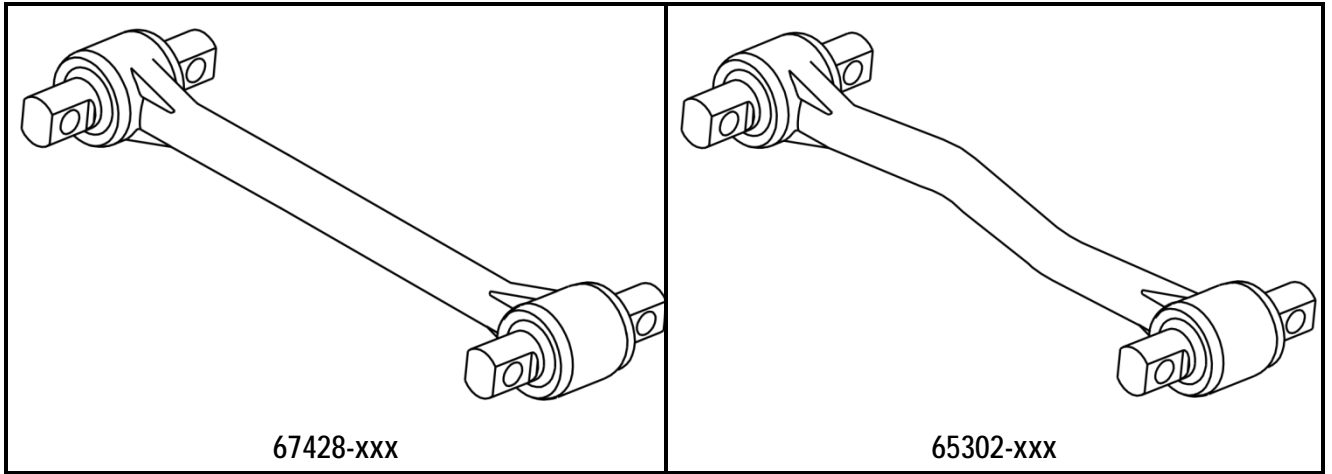
Rear Axle

Part Number	Suits	Frame Width	Cross Tube	Notes
67249-003	232/462	864 mm	1053.5 mm	
67249-009	232/462	876-883 mm	1066 mm	Hanger Spacers required for 883 mm Frame
67249-011	232/462	872 mm	1061.25 mm	
97795-001	232/462	864 mm	1053.5 mm	Severe Duty Pivot Bush
97795-003	522	864 mm	1053.5 mm	Severe Duty Pivot Bush

NOTE: Refer to Page 4 for measurement instructions.

Torque Rod Selection

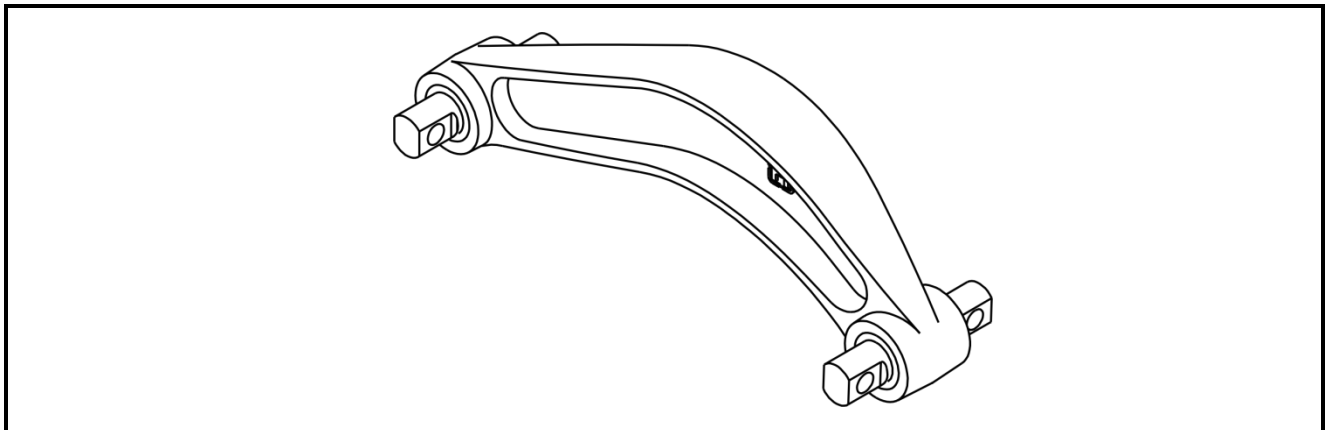
Drum Brake



Part Number	Dim 'A'	Axle	Suits	Bush	Notes
67428-425	425 mm	Forward	232/462	See note	
67428-435	435 mm	Forward	232/462	See note	
67428-445	445 mm	Forward	232/462	See note	
67428-475	475 mm	Rear	232/462	See note	
67428-480	480 mm	Rear	232/462	See note	
65302-480A	480 mm	Forward	522	See note	Suit Left Hand Only
65302-480B	480 mm	Forward	522	See note	Suit Right Hand Only
65302-530A	530 mm	Rear	522	See note	Suit Left Hand Only
65302-530B	530 mm	Rear	522	See note	Suit Right Hand Only

NOTE: Drum brake torque rod utilises ARF (Axial Retention Feature). Bush failure requires complete rod replacement.

Disc Brake

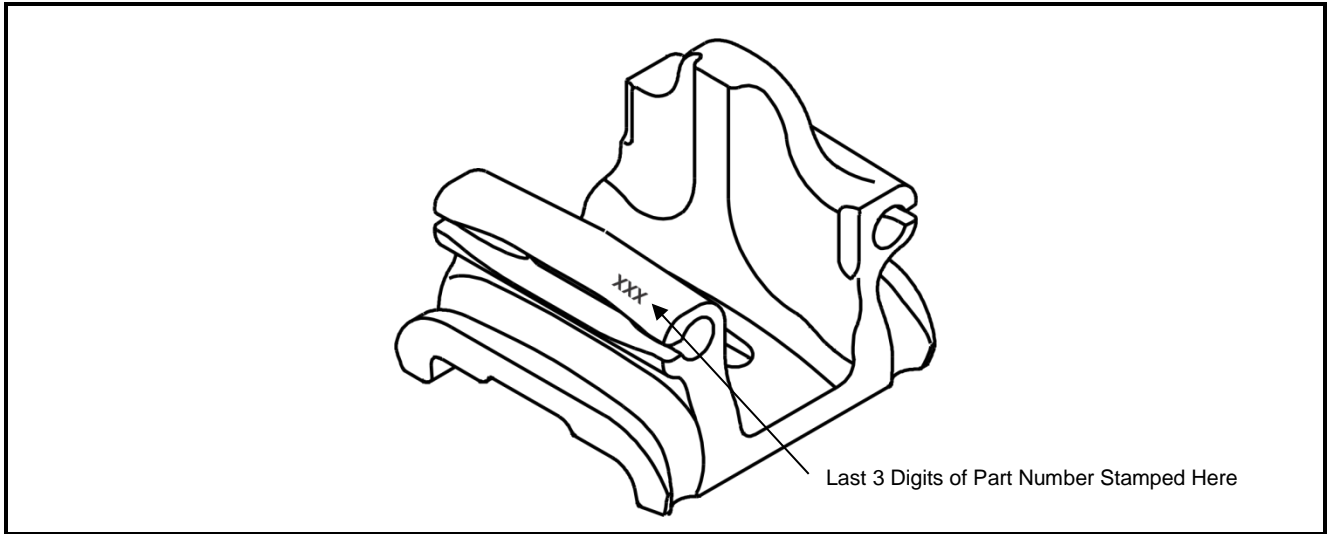


Part Number	Dim 'A'	Axle	Suits	Bush	Notes
67219-435	435 mm	Forward	232/462	47691-000-L	
67219-475	475 mm	Rear	232/462	47691-000-L	

Note: Dimension 'A' is measured from centre of bush to centre of bush.

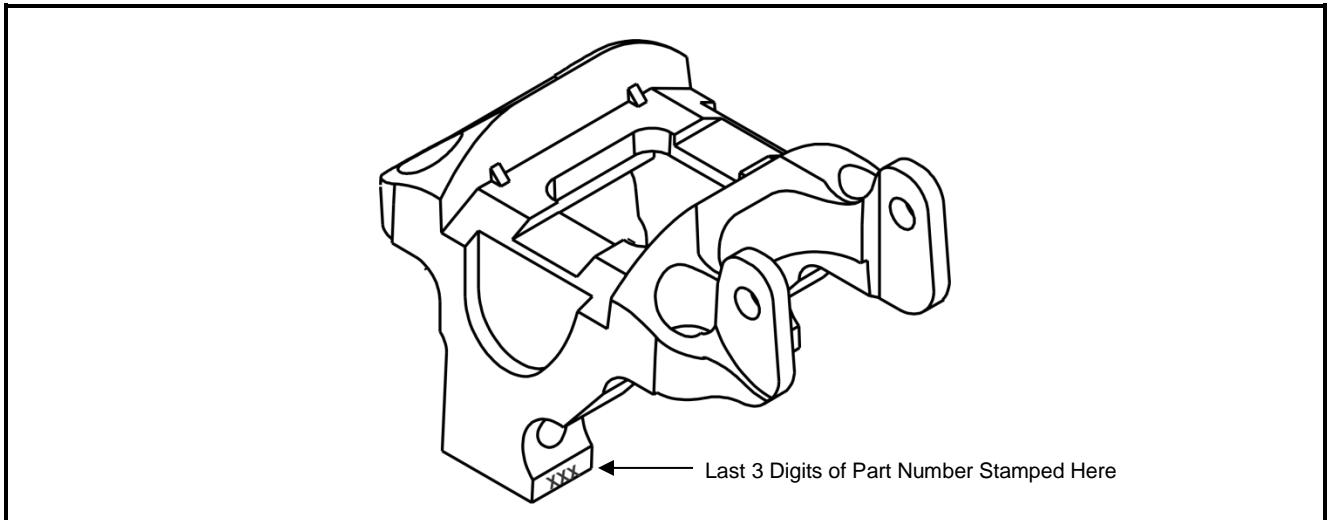
Axle Caps - PRIMAAX EX 232/462

Top Cap



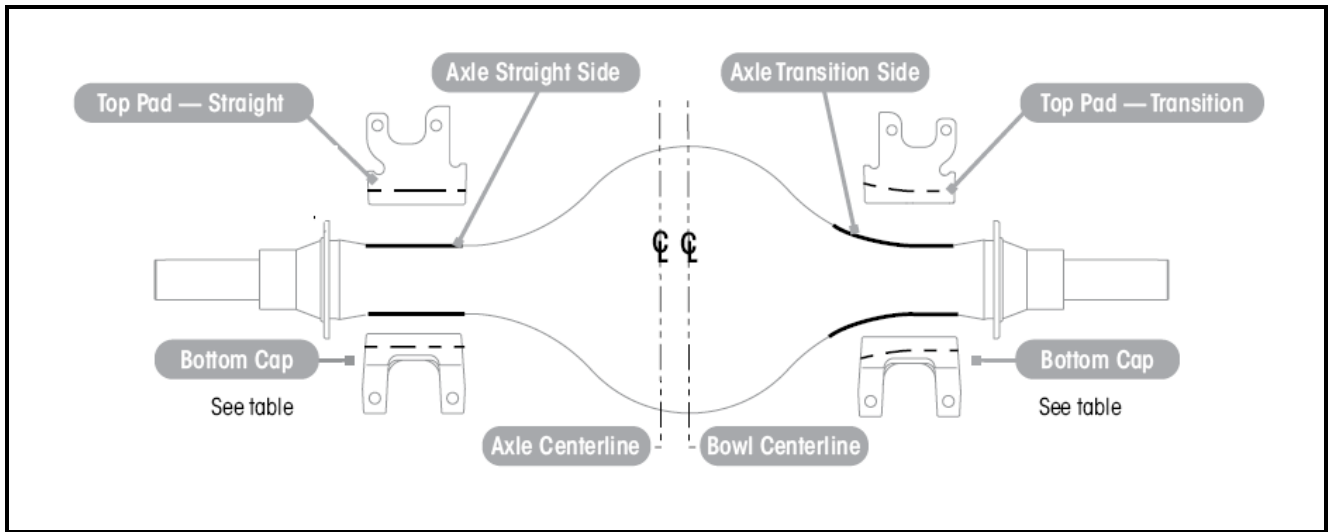
Part Number	Description	Qty	Notes
65289-000	Top Pad	2	No Part Number Stamp
65289-001	Top Pad - LHS Only	2	
65289-002	Top Pad - RHS Only	2	
65289-005	Top Pad	2	

Bottom Cap



Part Number	Description	Qty	Notes
60556-025	Axle Bottom Cap - 2.5 Deg	2	Forward Axle
60556-030	Axle Bottom Cap - 3.0 Deg	2	Forward Axle
60556-035	Axle Bottom Cap - 3.5 Deg	2	Forward Axle
60556-100	Axle Bottom Cap - 10.0 Deg	2	Rear Axle
60556-110	Axle Bottom Cap - 11.0 Deg	2	Rear Axle
60556-115	Axle Bottom Cap - 11.5 Deg	2	Rear Axle
60556-120	Axle Bottom Cap - 12.0 Deg	2	Rear Axle

Axle Caps – PRIMAAX EX 522



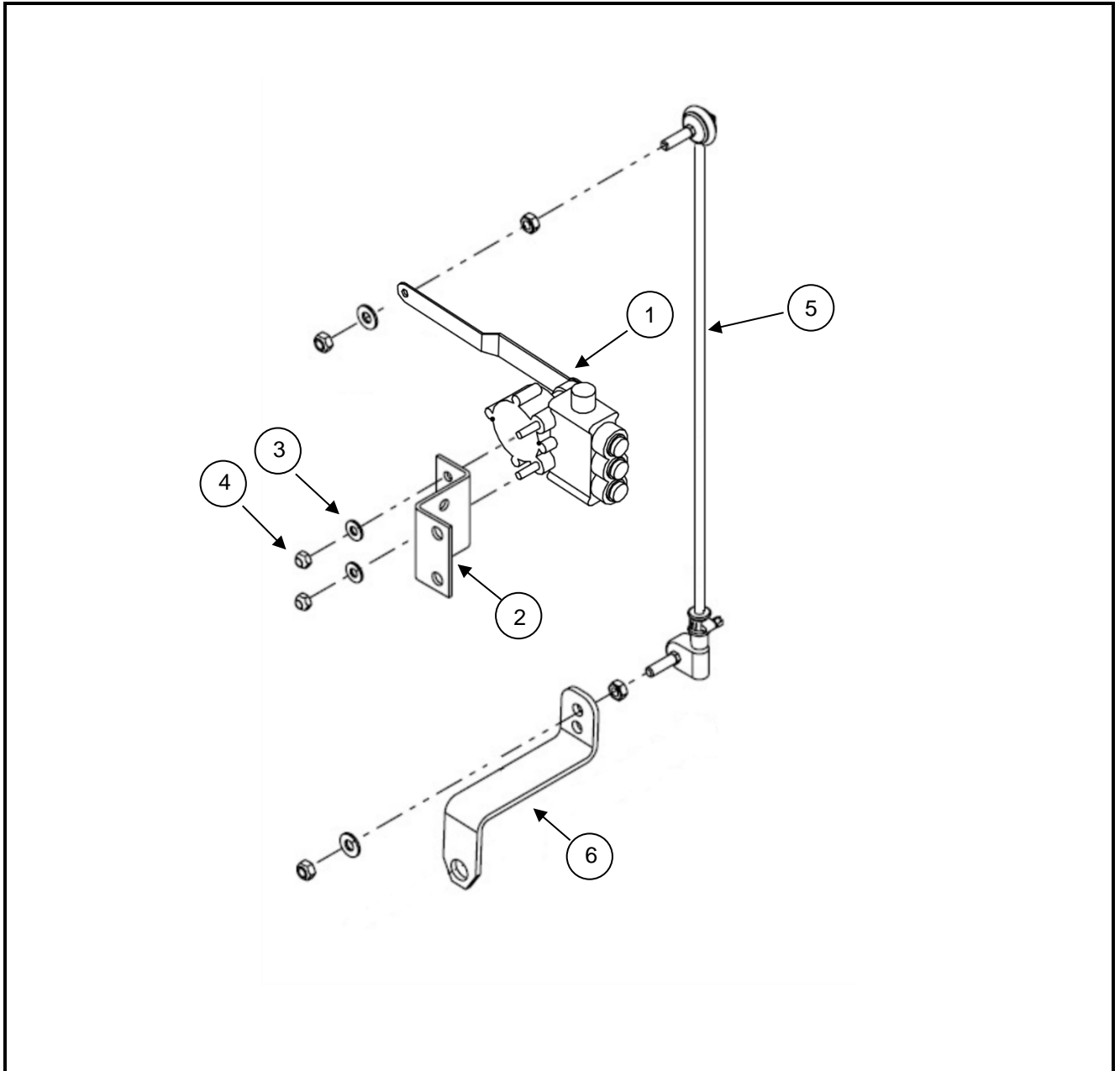
Top Cap

Part Number	Description	Qty	Notes
65210-001	Top Pad – Straight Side	1	Suit Meritor Axle
65210-003	Top Pad – Transition Side	1	Suit Meritor Axle
65210-002	Top Pad – Straight Side	1	Suit Dana Axle
65210-004	Top Pad - Transition Side	1	Suit Dana Axle

Bottom Cap

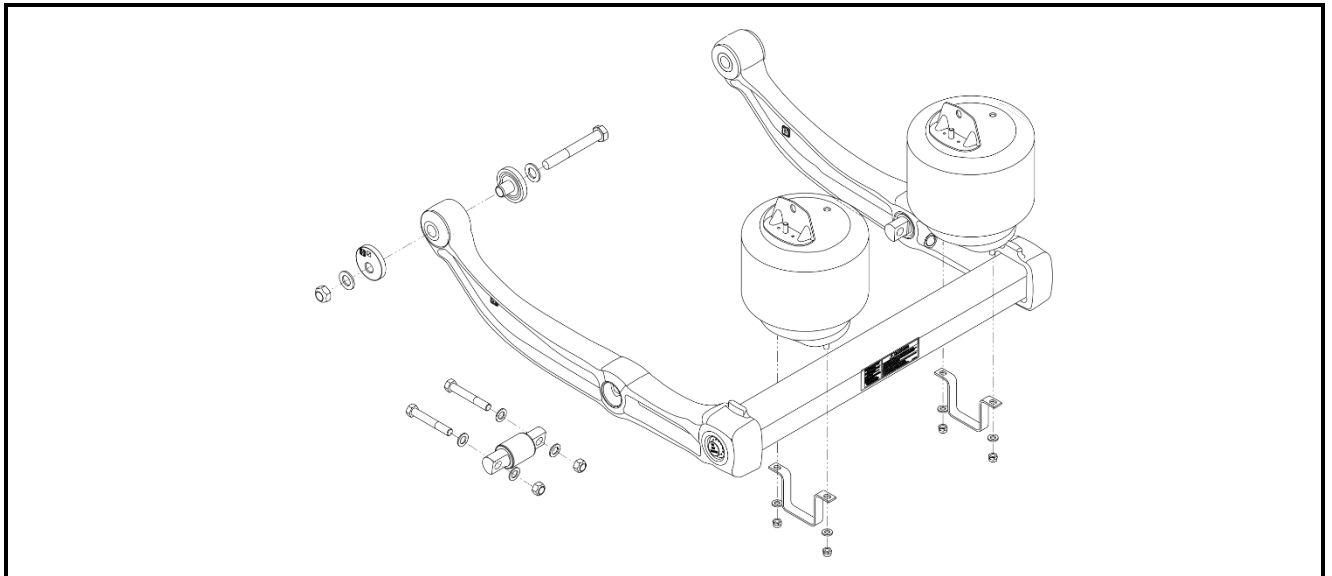
Part Number	Description	Qty	Notes
65208-002	Bottom Cap – LH Front	1	Suit Dana Axle
65208-008	Bottom Cap – RH Front	1	Suit Dana Axle
65208-011	Bottom Cap – LH Rear		Suit Dana Axle
65208-004	Bottom Cap – RH Rear		Suit Dana Axle
65208-101	Bottom Cap - Straight Side	1	Suit Meritor Axle
65208-103	Bottom Cap - Straight Side	1	Suit Meritor Axle
65208-106	Bottom Cap – Transition Side	1	Suit Meritor Axle
65208-109	Bottom Cap – Transition Side	1	Suit Meritor Axle

Height Control Valve



	Part Number	Description	Qty	Notes
1	98603-007	Height Control Valve – 12 mm Air Line	1	
	98603-008	Height Control Valve – 3/8 Inch Air Line	1	
2	57975-000	Height Control Valve Bracket	1	
3	NSS	Washer – 1/4 Inch	2	
4	NSS	Nut – 1/4 Inch	2	
5	98600-006	HCV Rod – 340 mm	1	Includes fasteners
	98606-389	HCV Rod – 390 mm	2	Includes fasteners
6	98677-012	HCV Rod Bracket - Lower	2	
7	98606-059	Height Control Valve Kit – 12 mm Air Line	1	Includes Items 1a, 2, 3 & 4
8	98606-060	Height Control Valve Kit – 3/8" Air Line	1	Includes Items 1b, 2, 3 & 4

U-Beam Assembly Upgrade Kits



To offer continued support to previous PRIMAAX generations, Hendrickson have developed a number of PRIMAAX EX Upgrade kits. If a vehicle is currently fitted with PRIMAAX or PRIMAAX Gen II please see the below table to assist with selecting the correct service kit.

NOTE: PRIMAAX/PRIMAAX Gen II U-Beam assemblies, main support beams and cross tubes are no longer available.

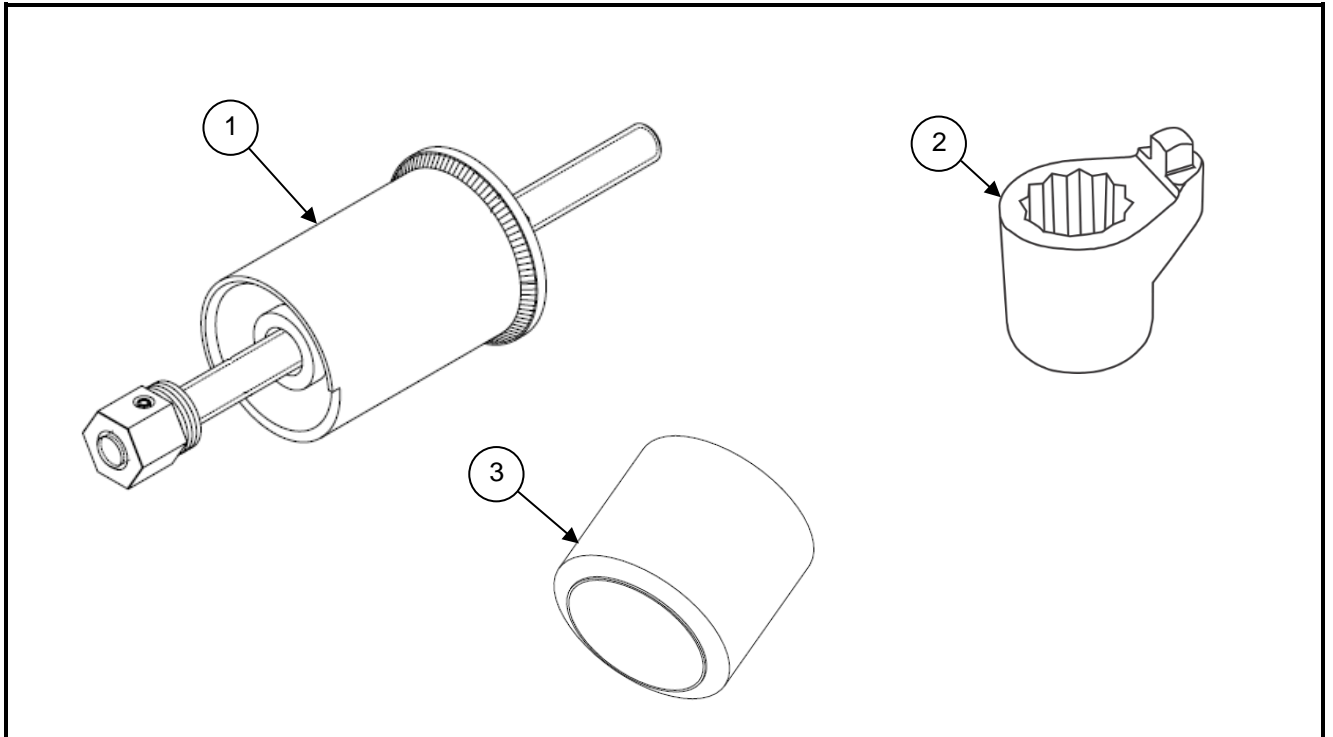
All upgrade kits contain the following components:

- PRIMAAX EX U-Beam Assembly
- PRIMAAX EX Air springs
- Lower Air Spring Fasteners
- Pivot Connection Hardware
- D-Pin Fasteners

Upgrade Kit	Axle	Frame Width	Cross Tube	Notes
60961-235	Forward	864 mm	1053.5 mm	
60961-236	Rear	864 mm	1053.5 mm	
60961-239	Forward	876-883 mm	1066 mm	Hanger Spacers Required For 883 mm Frame
60961-240	Rear	876-883 mm	1066 mm	Hanger Spacers Required For 883 mm Frame
60961-241	Forward	872 mm	1061.25 mm	
60961-242	Rear	872 mm	1061.25 mm	

NOTE: Refer to Page 4 for measurement Instructions.

Special Tools



Item	Part Number	Description	Notes
1	66086-203	Pivot Bush Tool	
2	66086-200	Alignment Socket	
3	98596-020-P	Torque Rod Re-Bush Tool	Suits 47691-000 Bush Only



Revisions Table

DATE	REV	PAGE	DESCRIPTION
20-02-17	B	6	Shock Absorber added for PAX 522. ECP 10997.

Information contained in this literature was accurate at the time of publication, Product changes may have been made after the publication date that are not reflected here.



ABN 21 004 992 769
32-44 Letcon Drive, P.O. Box 1063, Dandenong, Victoria, 3175
Phone 61.3.8792.3600 Fax 61.3.8792.3699
www.hendrickson.com.au