

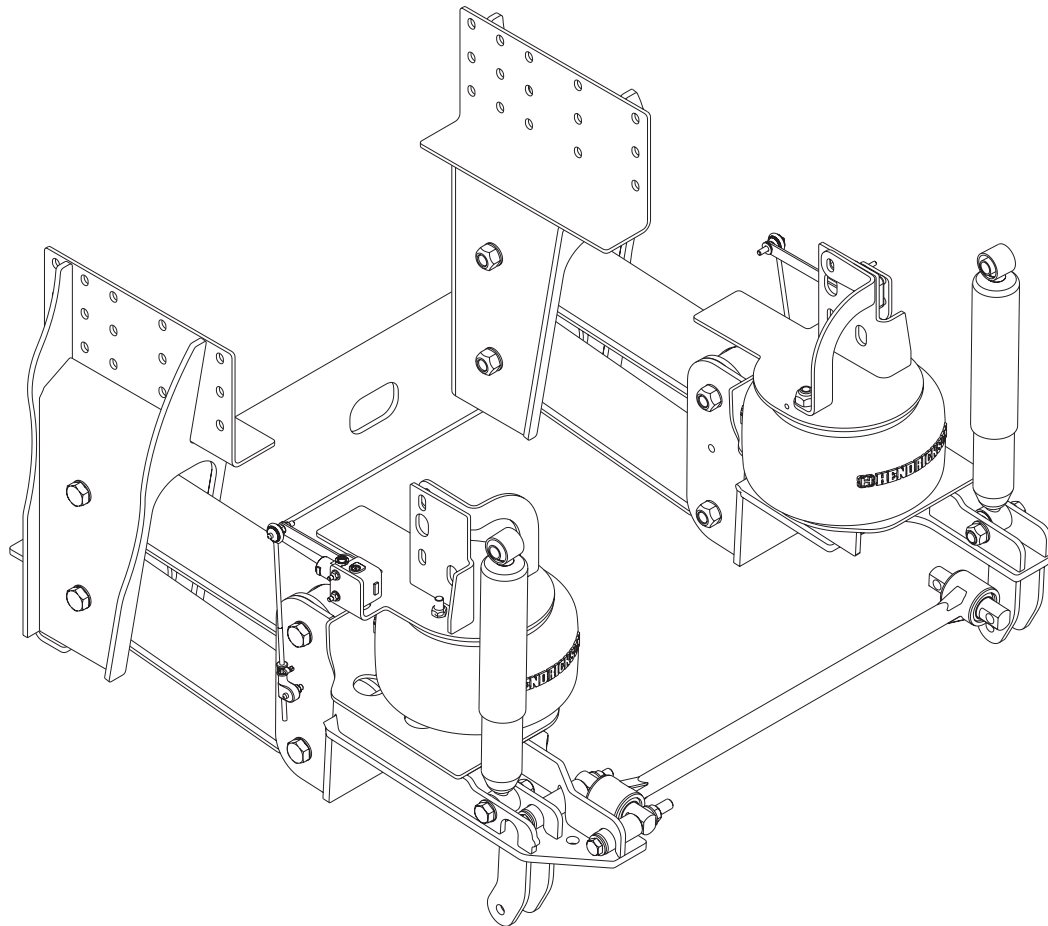
PARTS LIST

PARASTEER™

LIT NO: SP-163

DATE: October 2003

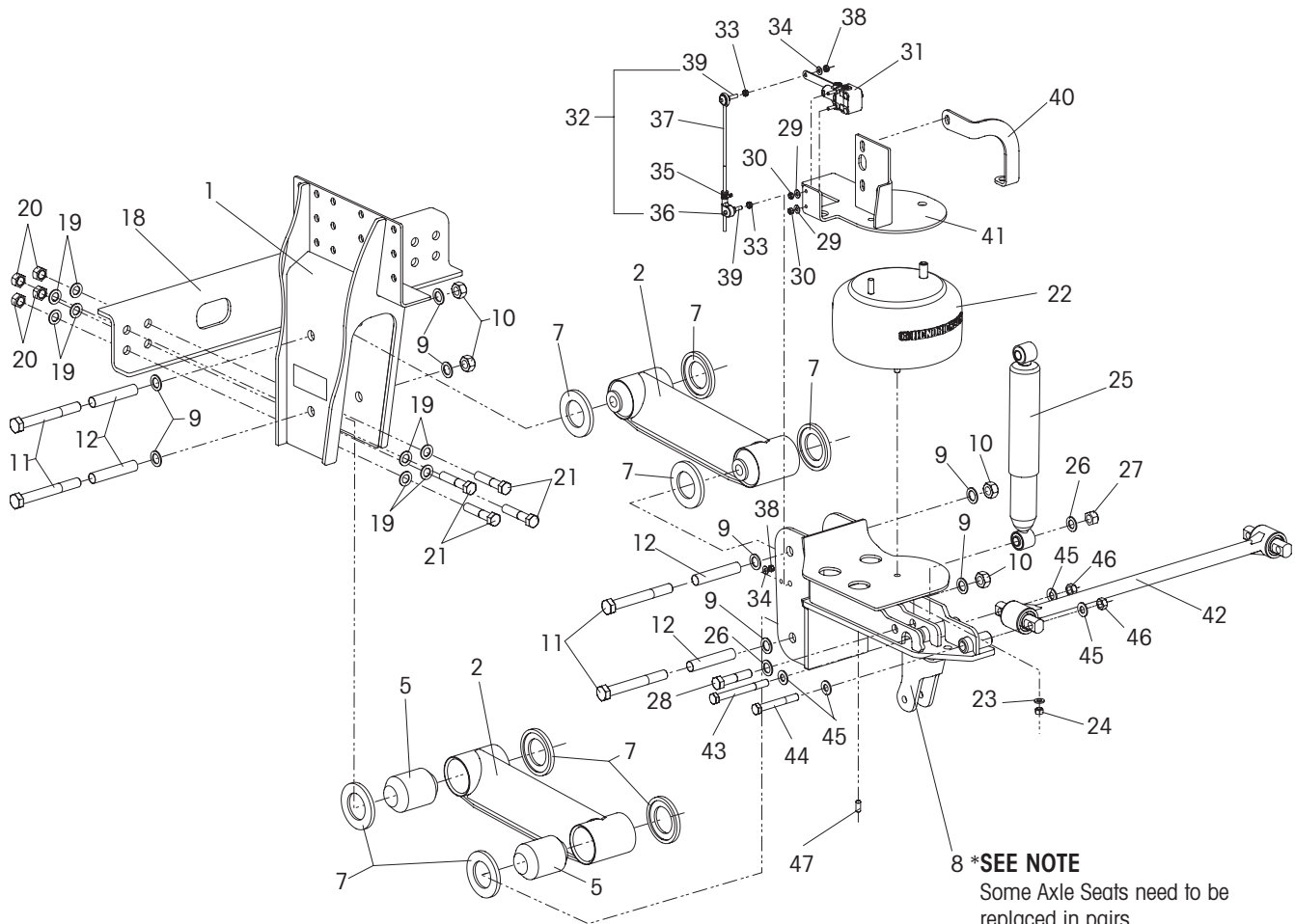
REVISION: B



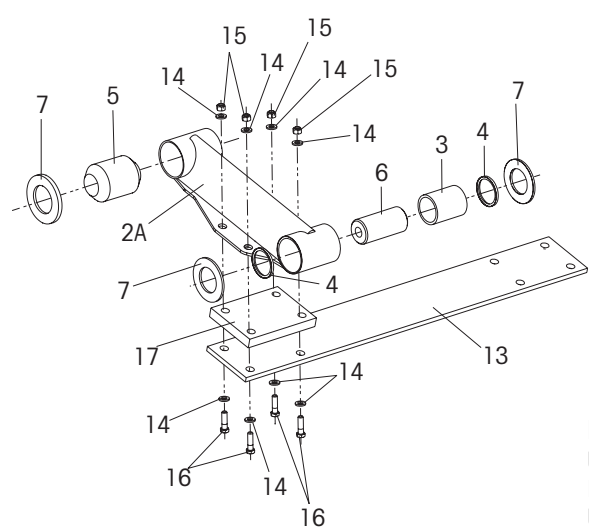
For The Road Ahead™

 HENDRICKSON

PARASTEER™



8 *SEE NOTE
Some Axle Seats need to be replaced in pairs.



MODELS BUILT BETWEEN 9/98 THROUGH 12/99
Use Part No. 34013-108 Lower Beam Assembly, Item No. 2A, and Part No. 59536-000 for the Upper Beam Assembly, Item No. 2.



KEY NO.	PART NO.	DESCRIPTION	NO.REQ.
1		Frame Hanger	
	59521-001	Left Frame Hanger	1
	59521-002	Right Frame Hanger	1
2	59536-000	Beam Assembly For Models w/Transverse torque rod (1/00-current) (Includes Key Nos. 5)	4
2A	34013-108	Lower Beam Assembly Service Kit, Replaces 59533-000 For models w/transverse leaf (9/98-12/99) (Includes Key Nos. 3,4,5,6)	2
		HPS Bushing Service Kit	1
	34013-105	For models w/transverse torque rod, (1/00-current) (Includes Key Nos. 5,7)	
	34013-100	For models w/transverse leaf (9/98-12/99), (Includes Key Nos. 3,4,5,6,7)	1
3	59526-001	PTFE Bushing For models w/transverse leaf (9/98-12/99)	2
4	59527-000	Rubber Seal For models w/transverse leaf (9/98-12/99)	4
5	59528-001	Beam Bushing For models w/transverse torque rod (1/00-current)	8
		For models w/transverse leaf (9/98-12/99)	6
6	59498-001	Inner Metal For models w/transverse leaf (9/98-12/99)	2
7	59803-000	Thrust Washer	16
8		Axle Seat	
		LH Axle Seat	1
	64207-001	Replaces 60310-001 & 59491-001 BlueBird TCFE w/Standard Floor/CSFE, HDRE	
	64208-001	BlueBird TSFE/CIFE, TCFE w/Flat Floor	
	64209-001	Replaces 60212-001 & 59503-001 BlueBird HDRE	
	64210-001	Blue Bird C4RE	
		RH Axle Seat	1
	64207-002	Replaces 59491-002, BlueBird TCFE w/Standard Floor/CSFE, HDRE	
	64208-002	BlueBird TSFE/CIFE, TCFE w/Flat Floor	
	64209-002	Replaces 59503-002, BlueBird HDRE	
	64210-002	Blue Bird C4RE	
		The following Axle Seats must be replaced in pairs with following Service Kits. Each kit contains one left hand and one right hand Axle Seat.	1
	64412-001	Replaces 60303-001, 59515-002, & 59515-001, (BlueBird TSFE/CIFE, TCFE w/ Flat Floor)	
	64412-002	Replaces 60320-001, 59509-002, & 59509-001 (BlueBird TCRE/CSRE, & QBRE)	
	59568-001	Pivot Bolt Kit, (Includes Key Nos. 9,10,11,,12)	1
9	22962-002	7/8"-Hardened Flat Washer	16
10	50106-000	7/8"-9 UNC Locknut	8
11	59563-001	7/8"-9 UNC 7 1/2" Pivot Bolt	8
12	59504-000	Plastic Liner	8
13	59485-000	Transverse Leaf (9/98-12/99)	1
		Transverse Leaf Fastener Service Kit, (Includes Key Nos. 14,15,16) (9/98-12/99)	1
	59565-001	BlueBird TCRE/CSRE, TSFE/CIFE, HDRE	

KEY NO.	PART NO.	DESCRIPTION	NO.REQ.
	59565-002	BlueBird TCFE/CSFE	
	59565-003	BlueBird HDRE	
14	22962-001	3/4"-Hardened Flat Washer (9/98-12/99)	16
15	49842-000	3/4"-10 UNC Locknut (9/98-12/99)	8
16		3/4"-10 UNC Bolt (9/98-12/99)	8
	50764-011	2 1/4"-BlueBird TCRE/CSRE, TSFE/CIFE, HDRE	
	50764-005	3"-BlueBird TCFE/CSFE	
	50764-010	4 1/4"-BlueBird HDRE	
17	59524-000	Spacer Plate TCFE/CSFE HDRE (9/98-12/99) (No Spacer Plate Needed for TCRE/CSRE, TSFE/CIFE, HDRE)	2 4
18		Crossmember	1
	59538-000	For models w/transverse torque rod (1/00- current)	
	59540-000	For models w/transverse leaf (9/98-12/99)	
	50763-011	Crossmember Fastener Service Kit (Includes Key Nos 19,20,21), For models w/transverse torque rod (1/00-current)	1
		For models w/transverse leaf (9/98-12/99)	2
19	22962-001	3/4"-Hardened Flat Washer	16
20	49842-000	3/4"-10 UNC Locknut	8
21	50764-011	3/4"-10 UNC 2 1/4" Bolt	8
		Air Spring Fastener Service Kit, (Includes Key Nos. 22,23,24)	1
	49177-007	BlueBird TCRE/CSRE, TCFE/CSFE/HDRE, HDRE, QBRE/C4RE	
	49177-008	BlueBird TSFE/CIFE (Flat Floor)	
22		Air Spring	2
	59484-002	BlueBird TCRE/CSRE, TCFE/CSFE/HDRE, HDRE, QBRE/C4RE	
	59601-002	TSFE/CIFE (Flat Floor)	
23	22962-014	1/2"-Hardened Flat Washer	2
24	17700-010	1/2"-13 UNC Nylocknut	2
25		Shock Absorber	2
	60665-005	Replaces 59483-000 (9/98-11/01)	
	60998-002	(11/01-current)	
	50754-005	Shock Fastener Service Kit (Includes Key Nos. 27, 28, 29) (OEM supplied after 11/01)	2
26	22962-001	3/4"-Hardened Flat Washer	2
27	49842-000	3/4"-10 UNC Locknut	1
28	50764-003	3/4"-10 UNC 3 1/2" Bolt	1
	59013-000	Height Control Valve Service Kit (Includes Key Nos. 29-31)	2
29	22962-028	1/4"-Hardened Washer	2
30	49983-000	1/4"-20 UNC Locknut	2
31	60501-000	Height Control Valve	1
32	58994-010	Height Control Valve Linkage Assembly (Includes Key Nos. 33-39)	2
33	--	5/16"-18 UNC Nut	2
34	--	5/16"-Hardened Washer	2
35	--	Valve Arm Clamp	1
36	--	Adjustment Valve Arm Joint	1
37	--	Extension Rod	1
38	--	5/16"-18 UNC Locknut	2
39	--	5/16"-18 UNC Stud	2
	59553-000	HPS Air Spring Bracket Axle Service Kit (Includes Key Nos. 40-41)	
40	59479-003	LH Air Spring Reinforcement Bracket	1
	59479-004	RH Air Spring Reinforcement Bracket	1
41	59482-001	LH Upper Air Spring Hanger	1
	59482-002	RH Upper Air Spring Hanger	1



KEY NO.	PART NO.	DESCRIPTION	NO.REQ.
42		Transverse Torque Rod (1/00-current)	
	62000-745	Replaces 32271-117	2
	49176-010	Transverse Rod Fastener Service Kit (1/00-current) (Includes Key Nos. 44,45,46,47)	
43	32043-007	5/8"-11 UNC Hexbolt 7.00"	1
44	32043-019	5/8"-11 UNC Hexbolt 5.50"	1
45	22962-004	5/8"-Hardened Washer	4
46	47764-000	5/8"-11 UNC Locknut	2
47	59537-001	Dowel Pin	2

NOTE This is a general parts lists to provide directional information. Components may vary. For questions, contact Hendrickson Tech Services at 630-910-2800 or visit our website at www.hendrickson-intl.com.

***NOTE** **The following Axle Seats must be replaced in pairs with following Service Kits. Each kit contains one left hand and one right hand Axle Seat.** 1

64412-001
Replaces 60303-001, 59515-002, & 59515-001
(BlueBird TSFE/CIFE, TCFE w/ Flat Floor)

64412-002
Replaces 60320-001, 59509-002, & 59509-001
(BlueBird TCRE/CSRE, & QBRE)



Information contained in this literature was accurate at the time of publication. Product changes may have been made after the copyright date that are not reflected.

www.hendrickson-intl.com