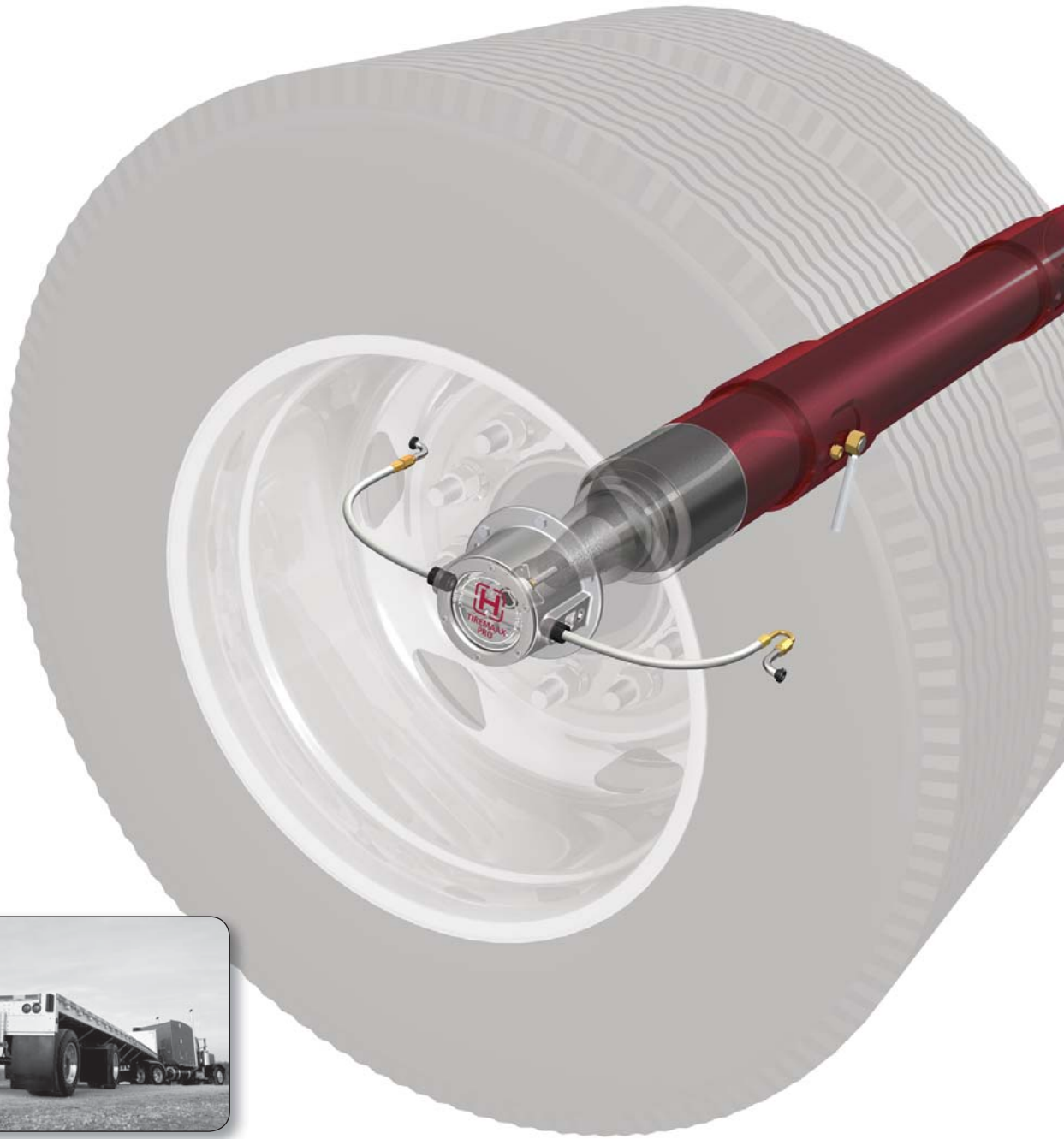




TIREMAAX[®] PRO

Automatic Tyre Inflation Systems

- Enhance tyre life
- Reduce maintenance
- Conserve fuel
- Trim labor costs



To learn more about TIREMAAX PRO,
call Hendrickson or visit
www.hendrickson.com.au

 **HENDRICKSON**
The World Rides On Us[®]

Takes the pressure off you

TIREMAAX[®] PRO automatic tyre inflation systems provide a basic, responsive approach to help you extend tyre life and increase fuel efficiency. These patented systems draw from the trailer air supply to keep your trailer tyres properly inflated and rolling smoothly.

One of the most significant maintenance issues facing the industry today is the problem of improper tyre inflation. Studies show that improperly inflated tyres can greatly reduce fuel economy and decrease tyre life. Incorrect tyre inflation may also lead to compromised braking, poor handling and reduced stability.

TIREMAAX PRO delivers a reliable, durable approach for maintaining proper inflation levels. The systems monitor pressure in all tyres and direct air to one or more tyres when they dip below the pre-set level.

TIREMAAX PRO can pay for itself in a year or less with savings from increased fuel mileage, reduced tyre maintenance and replacement costs, and prevention of tyre failure leading to downtime and costly road service.



- Tyres can lose up to 2 psi of air per month by diffusion through the inner liner and casing.
- American Trucking Associations Technology and Maintenance Council (TMC)
- An automatic tyre inflation system can extend tyre life by eight percent or more.
- U.S. Environmental Protection Agency



TIREMAAX[®] PRO

The first automatic tyre inflation system in the trailer industry to provide constant pressure with active inflation, relieving and equalizing.

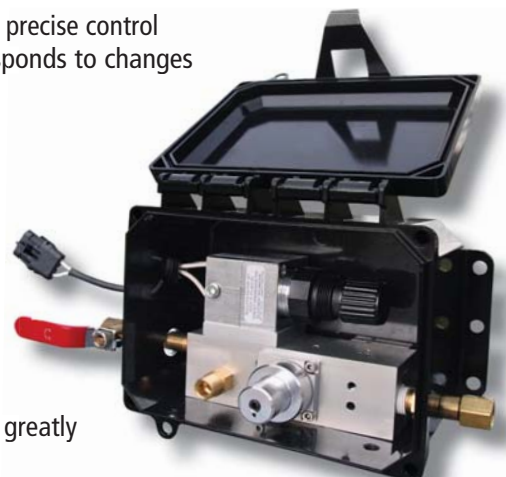
TIREMAAX[®] PRO — a revolutionary product for automatic inflation and precise control of trailer tyres. In addition to automatic inflation, TIREMAAX PRO responds to changes in outside temperature by relieving air from tyres when necessary.

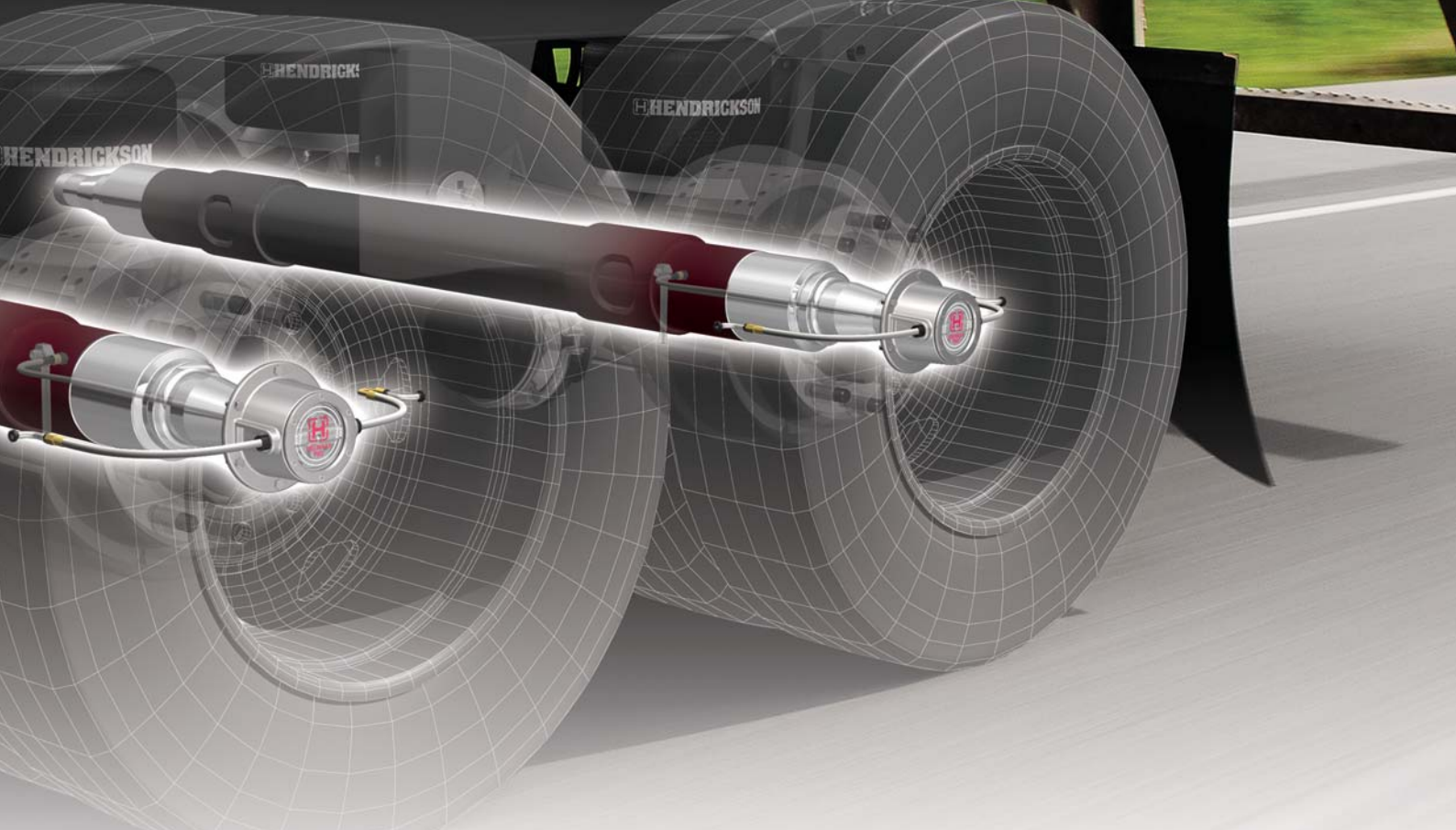
TIREMAAX PRO constantly monitors and adjusts tyre pressure

- The system automatically inflates tyres using the trailer air supply
- TIREMAAX PRO prevents over inflation by relieving air from the tyres back through the controller
- The patent-pending controller is specifically designed to recognize normal pressure increases due to operation

TIREMAAX PRO equalizes the pressure at every tyre

- By keeping pressures balanced, scrubbing between dual tyres can be greatly reduced and tyre life improved
- Only TIREMAAX PRO constantly pressurizes and equalizes tyres





TIREMAAX[®] PRO features premium, high-performance components

- Internal axle hoses and a patented ventilation system help prevent wheel-end contamination without pressurising the axle
- Axle hoses are manufactured with braided stainless steel providing outstanding durability
- Fittings, as well as leak points, have been eliminated by incorporating air passages into the hubcap — no protruding fittings also means no potential for fitting damage if a tyre change is required

Ventless Hub Cap

- Eliminates contaminant pathway

Patented Axle Filter

- Protects wheel-end from contaminants

Non-pressurised Axle

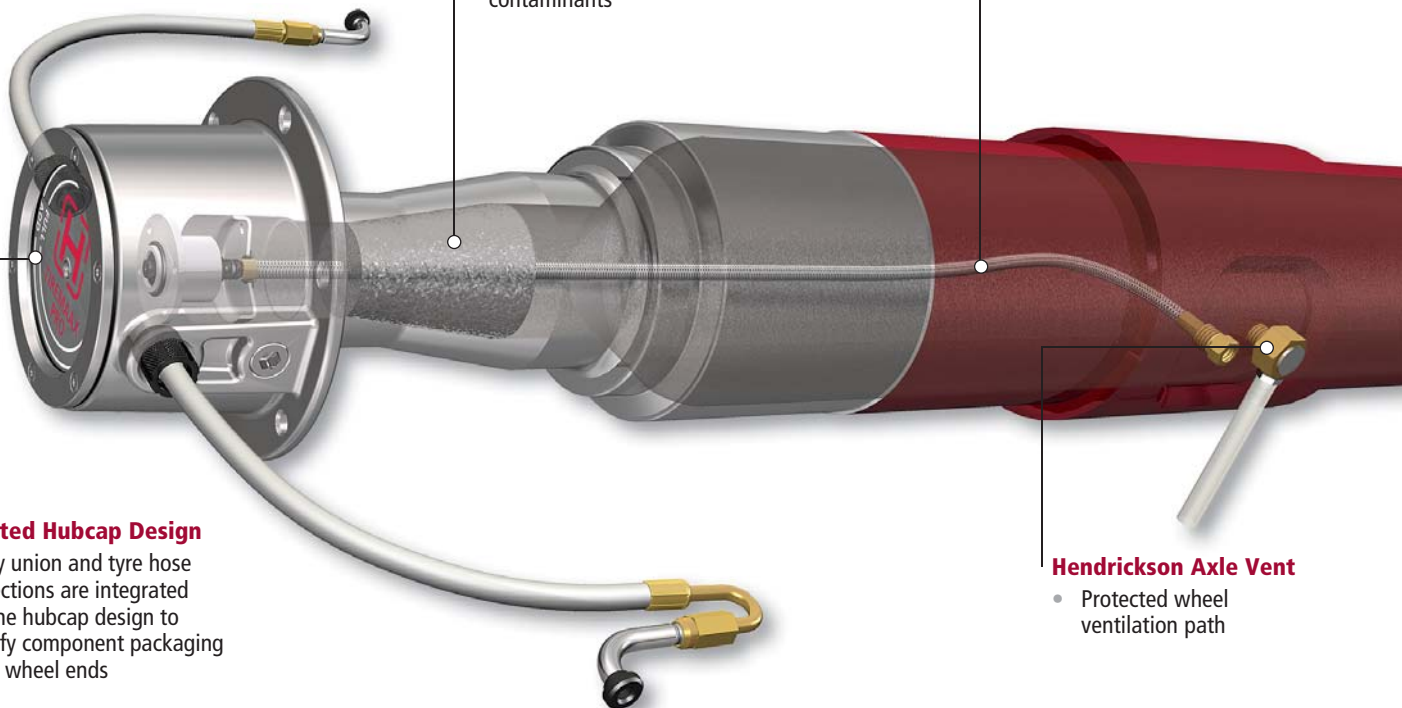
- Utilises internal axle hoses

Integrated Hubcap Design

- Rotary union and tyre hose connections are integrated into the hubcap design to simplify component packaging at the wheel ends

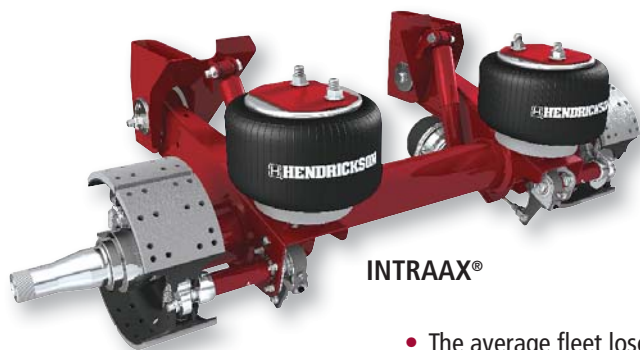
Hendrickson Axle Vent

- Protected wheel ventilation path



TIREMAAX® PRO

AVAILABLE WITH ALL HENDRICKSON TRAILER SUSPENSIONS AND AXLE SYSTEMS



INTRAAX®



TRLAXLE®

- The average fleet loses at least \$750 USD each year per tractor-trailer rig due to under inflated tyres.

American Trucking Associations
Technology and Maintenance Council (TMC)

TIREMAAX® PRO helps pay for itself and more

According to industry sources, proper tyre inflation yields savings in the three greatest expense areas for fleets and owner operators — labor, fuel and tyres. Can you afford not to take advantage of the savings that TIREMAAX PRO provides?

Labor savings

- Save labor costs by not having your drivers conduct manual tyre checks, which can take an operator 45 minutes per rig

Fuel savings

- Fuel consumption decreases by eliminating rolling resistance from under inflated tyres

Extended tyre life

- Proper inflation helps maintain a tyre's correct footprint for even wear and prevention of premature fatigue of the steel cords
- Tyre-related costs represent the single largest maintenance cost item for commercial vehicles

Increased up time

- Properly inflated tyres reduce the likelihood of flats, breakdowns and tyre debris
- Approximately half of all road calls are for tyres
- Proper tyre inflation can potentially save you one road call each year per tractor-trailer combination

Actual product performance may vary depending upon vehicle configuration, operation, service and other factors.

Call Hendrickson or visit our web site for additional information.



www.hendrickson.com.au

Hendrickson Asia Pacific
32-44 Letcon Drive
Dandenong South, Victoria,
3175 Australia
Phone (03) 8792 3600
Fax (03) 8792 3699
Email sales@hendrickson.com.au

Hendrickson New Zealand
Unit P, 24 Allright Place
Mount Wellington, Auckland
Phone (09) 9570 471
Fax (09) 9570 4816
Email sales@hendrickson.co.nz