

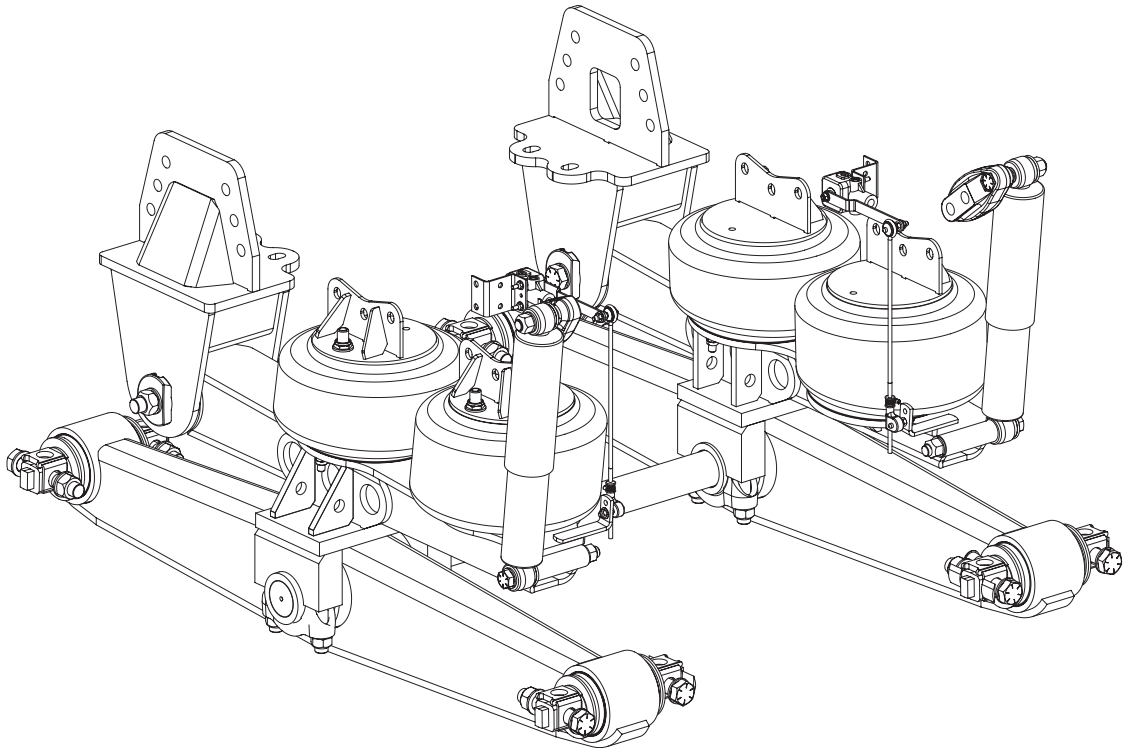
PARTS LIST

AR2™ 400/460

LIT NO: SP-177

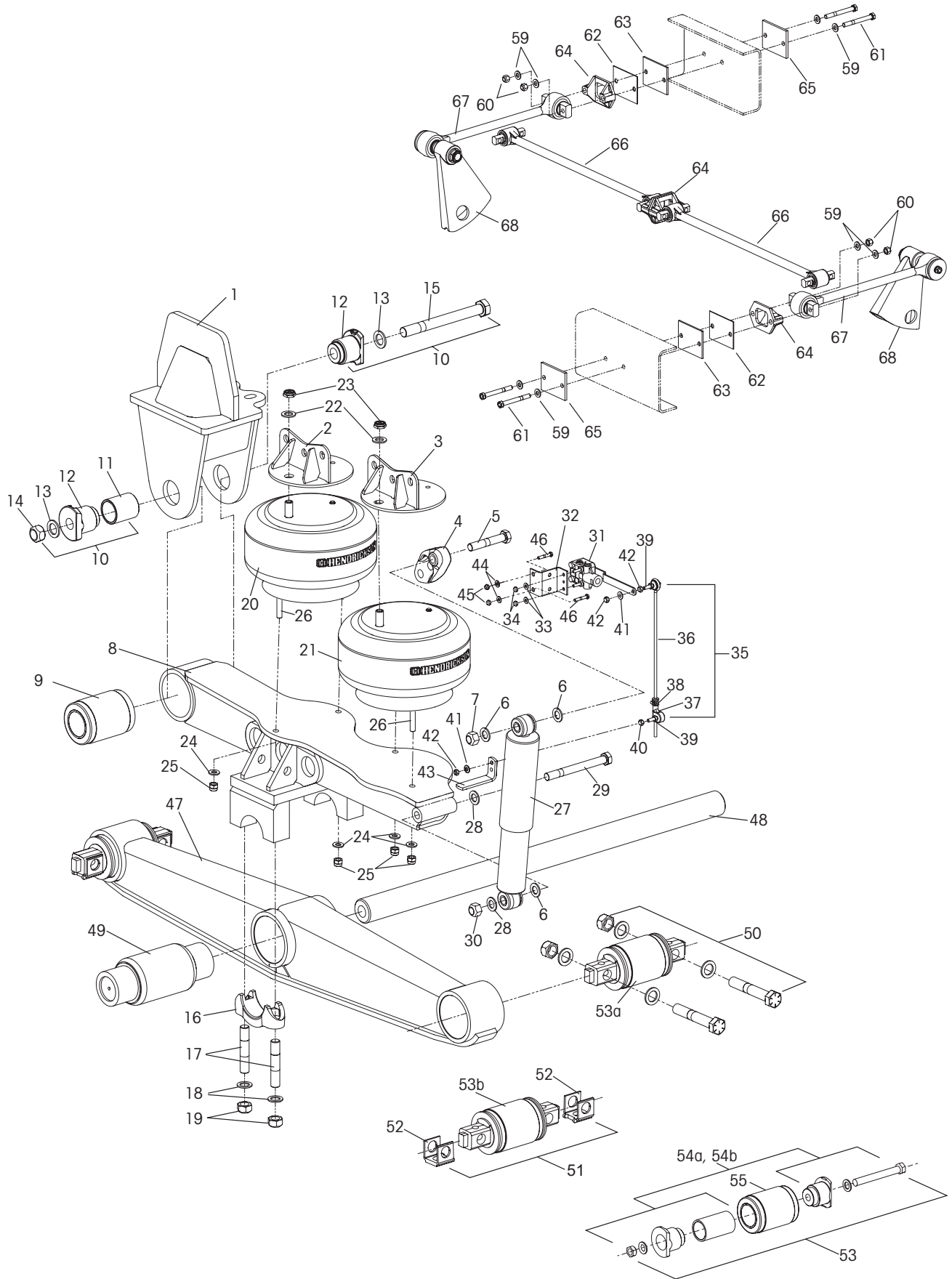
DATE: April 2005

REVISION: A



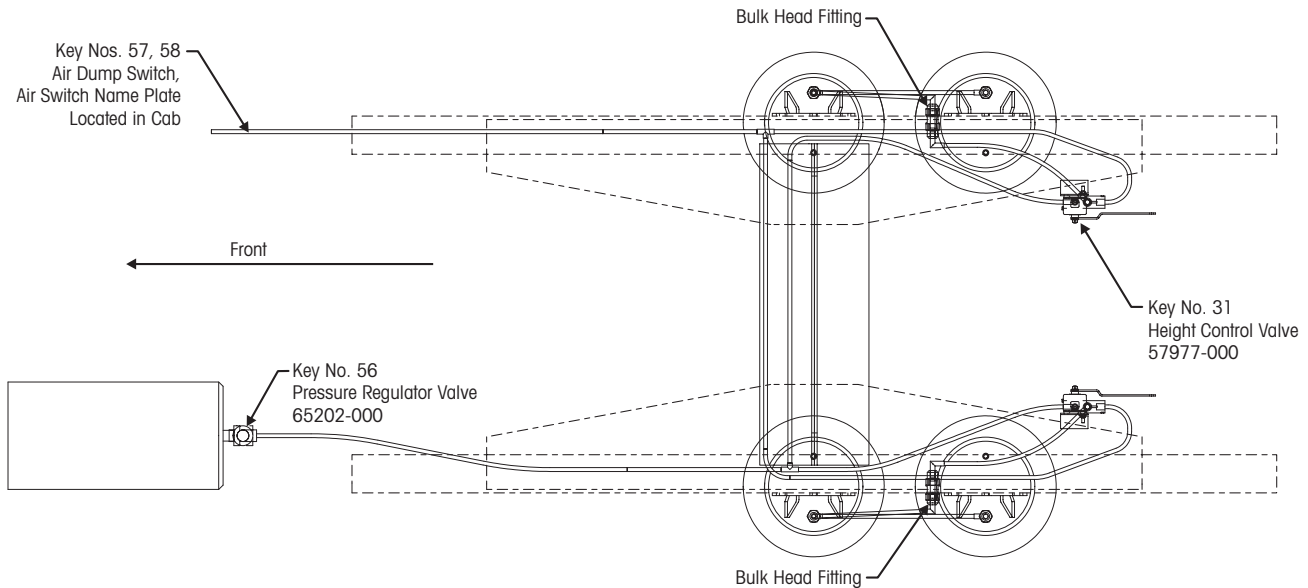
For The Road Ahead™

 HENDRICKSON





KEY NO.	PART NO.	DESCRIPTION	NO. REQ.	KEY NO.	PART NO.	DESCRIPTION	NO. REQ.
1		Frame Hanger Assembly LH Blank	1	35	58994-	Control Valve Linkage Assembly (Specify Length) (Includes Key Nos. 36-42)	2
	65461-001	33.19-34.19" Frame Width		36		*Linkage Extension Rod (Specify Length)	2
	65461-003	33.25-34.50" Frame Width		37		*Adj. Valve Arm Joint	2
	65461-005	34.50-34.81" Frame Width		38		*Valve Arm Clamp	4
1		Frame Hanger Assembly RH Blank (Not Shown)	1	39		*5/16"-18 UNC Stud	4
	65461-002	33.19-34.19" Frame Width		40		*5/16"-18 UNC Jam Nut	4
	65461-004	33.25-34.50" Frame Width		41		*5/16" Hardened Flat Washer	4
	65461-006	34.50-34.81" Frame Width		42		*5/16"-18 UNC Locknut	4
2	65426-000	Air Spring Bracket Forward	2	43	65427-000	HCV Linkage Mounting Bracket	2
3	65680-000	Air Spring Bracket Rear	2		57430-004	Control Valve Fastener Kit (Includes Key Nos. 44-46)	1
	50754-013	Upper Shock Bracket Assembly (Includes Key Nos. 4-7)	2	44	22962-029	5/16" Hardened Flat Washer	4
4	65000-001	Shock Bracket	2	45	59016-000	5/16"-18 UNC Locknut	4
5	50764-010	3/4"-10 UNC Bolt	2	46	64545-001	5/16"-18 UNC 1.00" Bolt	4
6	22962-001	3/4" Hardened Flat Washer	4	47		See Equalizing Beam Assembly Selection Guide 45745-147	2
7	49842-000	3/4"-10 UNC Locknut	2	48	44643-009	Cross Tube 44 ⁷ / ₈ "	1
8		Trailing Arm Assembly LH (Includes Key Nos. 8-9, 16-19)	1	49		Rubber Center Bushing	2
	65655-001	AR2-400 9.5"			49400-000L	AR2-400	
	65655-003	AR2-400 10.5"			49600-000L	**AR2-400 w/Loose End Plug	
	65655-005	AR2-460 9.5"			29483-005L	AR2-460	
	65655-007	AR2-460 10.5"			34013-097	**AR2-460 w/Loose End Plug	
8		Trailing Arm Assembly RH (Includes Key Nos. 8-9, 16-19)	1			Bar Pin End Bushing Kit	4
	65655-002	AR2-400 9.5"		50	34013-087L	Non-Shim Type (Includes Key No. 53a and Fasteners)	
	65655-004	AR2-400 10.5"		51	34013-088L	Shim Type (Includes Key No. 52, 53b and Fasteners)	
	65655-006	AR2-460 9.5"		52		Shim	8
	65655-008	AR2-460 10.5"			50130-000	.19/.19	
		Trailing Arm Bushing Kit (Includes Key Nos. 9-10)			50131-000	.25/.12	
	34013-111L	AR2-400		53		End Bushing and Adapter Kit	4
	34013-112L	AR2-460			34013-049L	AR2-400 (Includes Key Nos. 54a, 55)	
9		Trailing Arm Bushing	2		34013-073L	AR2-460 (Includes Key Nos. 54b, 55)	
	45900-000L	AR2-400				Bar Pin Bushing	4
	29878-001L	AR2-460		53a	50150-000	Non-Shim Type	
10	21140-053L	AR2 Adapter Assembly (Includes Key Nos. 11-15)	2	53b	50160-000	Shim Type	
11	45289-003	Adapter Tube	1			End Bushing Adapter Kit	4
12	45871-000	Beam End Adapter	2	54a	45000-007L	AR2-400	
13	22962-008	1 1/4" Washer	2	54b	21140-034L	AR2-460	
14	08017-000	1" Locknut	1	55	45900-000L	End Bushing	4
15	30550-005	1" Hex Bolt	1	56	65202-000	Pressure Regulator Valve (back page)	1
16	58795-000	Saddle Cap	2	57	48914-000	Air Dump Switch (back page)	1
17	06696-000	7/8"-14 UNF Saddle Cap Stud	4	58	48940-000	Air Switch Name Plate (back page)	1
18	22962-002	7/8" Hardened Flat Washer	4		42518-	***Transverse Rod Assembly Kit (Includes Key Nos. 59-68)	1
19	04842-000	7/8"-14 UNF Locknut	4	59	22962-004	5/8" Hardened Flat Washer	8
20	65455-002	Air Spring Assembly Forward	2	60	30585-000	5/8"-18 UNF Locknut	4
21	65652-002	Air Spring Assembly Rear	2	61	30587-001	5/8"-18 UNF-2A Bolt 5.50"	4
	49177-017	Air Spring Hardware (Includes Key Nos. 22-26)	1	62	45045-001	Spacer Plate 1/8"	4
22	22962-001	3/4" Hardened Flat Washer	4	63	45045-002	Spacer Plate 1/4"	2
23	17700-031	3/4"-16 UNF Nylocknut	4	64	22186-000	Torque Rod Frame Bracket	2
24	22962-011	1/2" Hardened Flat Washer	8	65	45045-003	Backup Plate 3/8"	2
25	17700-010	1/2"-13 UNC Nylocknut	8	66	46681-001	****Two Piece Torque Rod – Taper Spacer End	2
26	65454-000	1/2"-13 UNC 3.25" Stud	8	67	46610-001	****Two Piece Torque Rod – Straddle Tube	2
27	60665-012	Shock Absorber	2	68		*****Transverse Rod Axle Bracket, See 59310-004 for proper axle bracket and Assembly Instructions	2
	50754-018	Lower Shock Fastener Kit (Includes Key Nos. 28-30)	1				
28	22962-001	3/4" Hardened Flat Washer	4				
29	50764-013	3/4"-10 UNC 7.50" Bolt	2				
30	49842-000	3/4"-10 UNC Locknut	2				
	57977-000	Height Control Valve System (Includes Key Nos. 31-34)	2				
31		*Height Control Valve	1				
32		*Mounting Bracket	1				
33		*1/2" Washer	2				
34		*1/2" Hex Nut	2				



SERVICE KITS QUICK REFERENCE

	Trailing Arm Bushing Kit
34013-111L	AR2-400
34013-112L	AR2-460
50754-018	Shock Fastener Kit
57430-004	Control Valve Fastener Kit
	Bar Pin End Bushing Kit
34013-087L	Non-Shim Type
34013-088L	Shim Type
	End Bushing and Adapter Kit
34013-049L	AR2-400
34013-073L	AR2-460
	End Bushing Adapter Kit
45000-007L	AR2-400
21140-034L	AR2-460
42518-	Transverse Rod Assembly Kit

NOTE:

- * Item included in assembly only, part not sold separately.
- ** Bushing 49600-000 to be used with OTC Installation Tools.
- *** Transverse Rods (Key Nos. 66-67) are mandatory with the AR2 Suspension regardless of axle spacing and require rubber center beam bushings. See SEU-0213 for mandatory use of transverse rods or bronze center bushings.
- **** Hendrickson's part number is stamped on the rod for identification. Be sure and include suffix number when ordering. (This number indicates rod length.) Hendrickson 2-piece ULTRA ROD® PLUS™ rods can be used to create the desired length. See literature number 45745-149.
- ***** Brackets for drive axles are supplied by the axle manufacturer.

www.hendrickson-intl.com

HENDRICKSON

Truck Suspension Systems
800 South Frontage Road
Woodridge, IL 60517-4904 USA

630.910.2800
Fax 630.910.2899