



## HT230TA SERIES

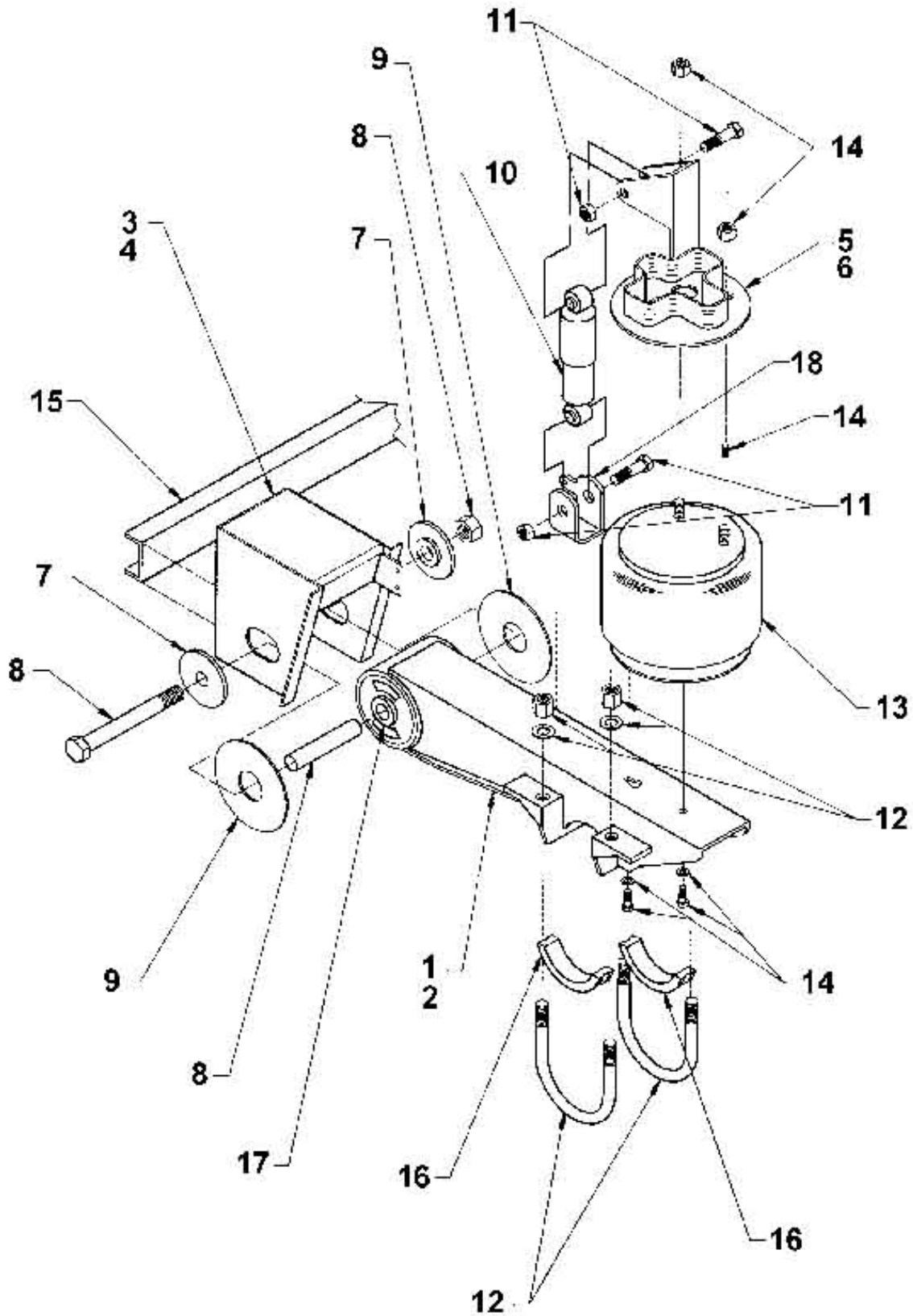
# H PARTS LIST

No: 97114-046  
 Subject: HT230TA17-522  
 Date: August 2008 Revision: A



INDEX	PAGE
Exploded View .....	1
Parts Listing .....	2
.....	
.....	
.....	
.....	
.....	
.....	
.....	
.....	
.....	
.....	
.....	

*Information contained in this literature was accurate at the time of publication, Product changes may have been made after the publication date that are not reflected here*



*Information contained in this literature was accurate at the time of publication. Product changes may have been made after the publication date that are not reflected here*



Item	Part Number	Description	Qty	Notes
1	D-27314-1	Beam Assembly	1	
2	D-27614-2	Beam Assembly	1	
3	D-21165-1	Frame Bracket	1	
4	D-21165-2	Frame Bracket	1	
5	C-22561-1	Air Spring Shock Mount	1	
6	C-22561-2	Air Spring Shock Mount	1	
7	C-20924	Inner Quik Align Washer	2	
7	C-20925	Outer Quik Align Washer	2	
8	S-24679	Pivot Bolt Kit	2	
9	B-11613-2P	Wear Washer Kit	2	Pack of 2
10	B-21699	Shock Absorber	2	
11	A-20031	Shock Bolt Kit	2	
12	S-21140	U'Bolt Kit (Qty 4)	1	U'Bolts, Washers, Nuts
13	C-21208	Air Spring	2	
14	S-21251	Air Spring Mounting Kit	1	
15	S-1631-19	Cross Channel	1	
16		Spacer	4	
17	S-24680	Tri Functional Bush Kit	2	
18		Lower Shock Bracket	2	

Information contained in this literature was accurate at the time of publication, Product changes may have been made after the publication date that are not reflected here