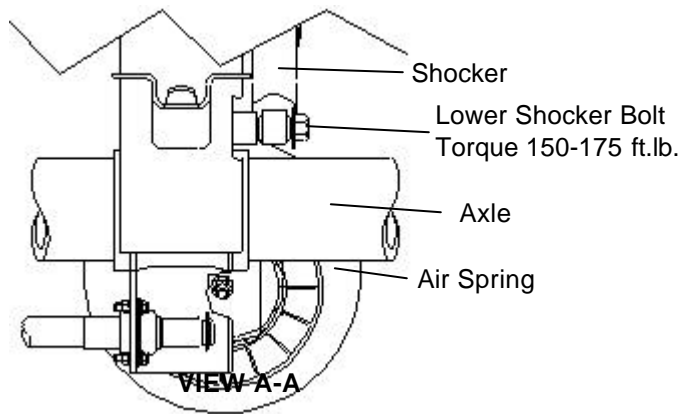
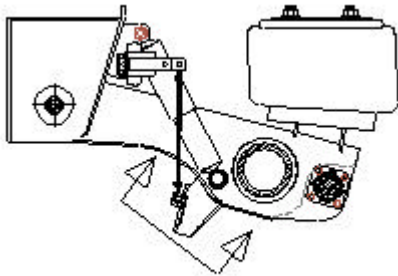


H TECHNICAL BULLETIN

INTRAAX AA250TB TRAILER AIR SUSPENSION LOWER SHOCK ABSORBER MOUNT

No: TRAILER AUS-007
Subject: *Improvement / Maintenance*
Date: June 1998 **Revision:** A



Description

As part of our continuous improvement program, Hendrickson have released an Intraax AA250TB lower shock bolt kit (S-22835) to alleviate isolated reported concerns.

Part number S-22835 consists of;
1 x Hardened flat washer
1 x Hex head cap screw
1 x Shock spacer (Rectangular)

If the lower shock bolt is incorrectly torqued or is not periodically tensioned as per normal maintenance procedure the bolt may lose tension or break. In such cases Hendrickson recommend the lower shock absorber kit be installed using the following method.

WARNING - HENDRICKSON REMINDS USERS TO ADHERE TO THE PUBLISHED CAPACITY RATINGS FOR SUSPENSIONS. DO NOT MODIFY PARTS OTHER THAN OUTLINED IN THIS PUBLICATION.

USE OF A MODIFIED OR SUBSTITUTE PART IS NOT RECOMMENDED BECAUSE THE PART MAY NOT MEET HENDRICKSON'S SPECIFICATIONS, WHICH COULD LEAD TO FAILURE OF THE PART, LOSS OF VEHICLE CONTROL AND PERSONAL INJURY.

Lower Shock Bolt Installation

Instructions

1. Park the trailer on a dry clean surface. Chock or block the wheels.
2. Spray a penetrant type fluid on the lower shock absorber mounting bolt where it enters the suspension beam. Allow the penetrant to be absorbed for several minutes before attempting to loosen the bolt.
3. Use a 1" wrench or socket to remove and discard the lower shock absorber mounting bolt, flat washer and spacer from between the shock absorber and the suspension beam.

CAUTION: When removing the lower shock bolt, be careful not to strip the nut that is located on the inside of the beam.

4. Before reassembly ensure all threads are clear of debris and penetrant.
5. When installing or replacing the lower shock bolt ensure that LOCTITE[®] 262 or an equivalent type of thread locking adhesive is used according to manufactures instructions. The torque specification is 150-175 ft-lb.

Note: When tightening the lower shock absorber bolt use only a torque wrench as pneumatic tools can cause over-torquing or fastener failure.

If any further installation detail or assistance is required, contact the Hendrickson Customer Excellence Centre on (03) 9767 3400.

This bulletin contains product improvement information only. Hendrickson is not committed or liable for canvassing existing product.

LOCTITE is a registered trade mark.

