



# GENUINE PARTS

## Equalizing Beam End Bushings

### Hendrickson Equalizing Beam End Bushings

Equalizing Beam End Bushings are engineered to maintain performance, reduce suspension wear and maximize durability.

Hendrickson equalizing beam end bushings are made of a premium grade rubber compound formulation that work with the whole suspension in mind. The rubber bushing's function is to provide joint articulation, transmit loads and to absorb shock loads.



#### ROTATING BAR PIN END BUSHING



#### ADAPTER STYLE END BUSHING



#### BAR PIN END BUSHING



To learn more about Hendrickson Genuine Parts call 1.866.755.5968 or visit [www.hendricksonparts.com](http://www.hendricksonparts.com)

**HENDRICKSON**  
*The World Rides On Us®*

# Equalizing Beam End Bushings

## Rotating Bar Pin Beam End Bushing

SAVE TIME — Replace bar pin end bushings with a new twist!

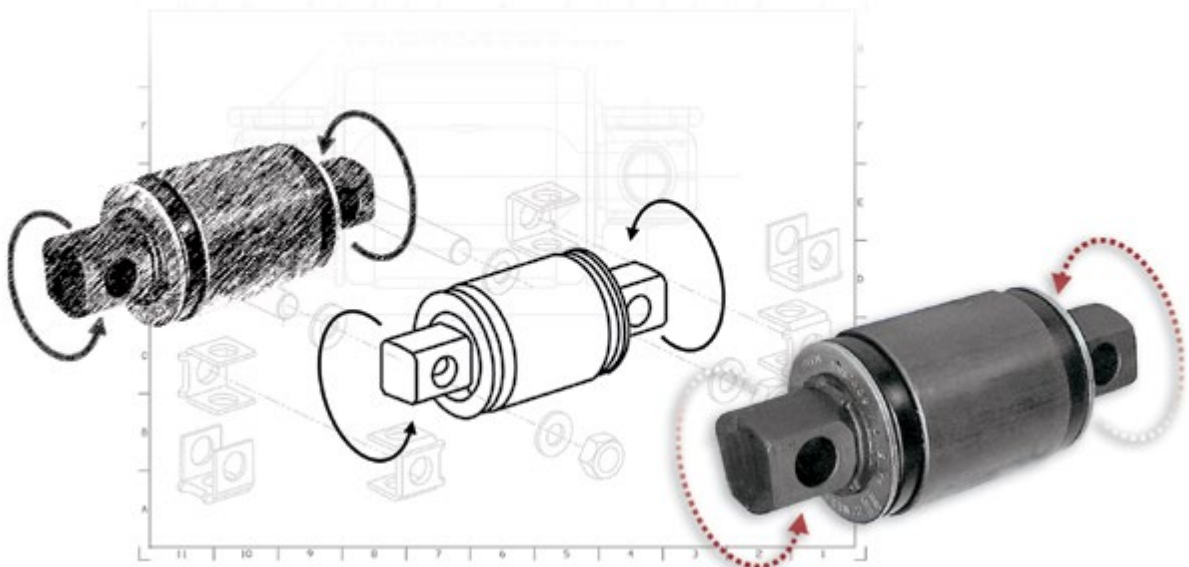
### Hendrickson PUTS A NEW TWIST on End Bushings!

Hendrickson's continuing product development has re-defined the installation procedure for rubber end bushings. Designed with a commitment to quality and innovation, the new Rotating Bar Pin End Bushing is the latest development to provide many benefits for both the installer and truck owner.

- Once pressed into the beam, the new rubber end bushing pins can now be rotated to the correct angle for a perfect installation the first time...every time. The bushing pins become fixed at the required angle when the installation is properly completed and will not continue to rotate once the truck is back in use.

#### DESIGN FEATURES

- Hendrickson's genuine, high quality, natural rubber product with a hardened steel bar pin
- Helps save time and labor costs by eliminating re-work from incorrectly installed bushings
- No need to mark the old bar pin position prior to removal
- No clocking necessary during bushing installation
- Ease of axle installation
- No special tools are required to rotate the bushing; a standard shop wrench will rotate the bushing into position with the axle
- Seals to keep out damaging materials
- Can be installed on all of the following Hendrickson suspensions equipped with equalizing beams: AR2™, R™, RS™, RT™/ RTE™, HN® and HAULMAAX®. The rotating bushing will work where a current bar pin beam end bushing is used.



## Bar Pin Beam End Bushings

Designed with a commitment to quality, these special bushings provide many benefits for both the installer and truck owner.

- Easy access to fasteners for removal and re-installation
- Shim equipped kits provide accurate and quick alignment
- Enhanced alignment to help increase tire life
- Superior service life for efficient vehicle operation and less down time



## Adapter Style End Bushings

Kits available with or without the adapter, these bushings have proven themselves time and again. The high quality steel inner and outer metal contain the custom rubber design.



### ADAPTER STYLE BUSHING TOOL

**HENDRICKSON PART NO. 66086-103 (OTC PART NO. 1757)**  
Equalizing beam bar pin end bushings on Hendrickson suspensions require the use of special tooling for servicing. OTC's No. 1757 adapter set is used in conjunction with OTC No. 51100 press plate and a 100 ton hydraulic shop press.



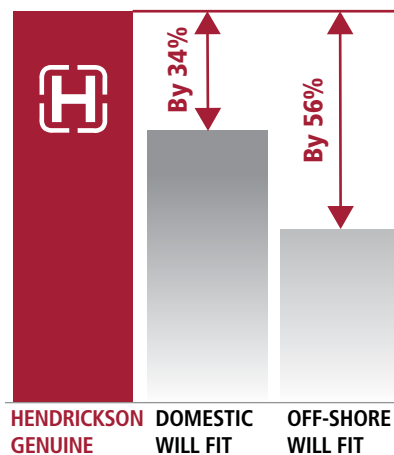
## Hendrickson Outperforms the Competition

Genuine Hendrickson bar pin end bushings outperform the competition in accelerated fatigue tests due to their premium material properties and key performance characteristics.

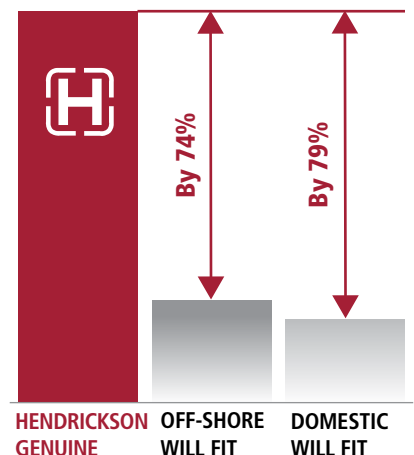
**RADIAL SPRING RATE** is a key bushing durability and performance characteristic that describes how a bushing stands up to radial loading and deflection. Hendrickson bar pin end bushings were found to exhibit a higher radial spring rate, up to 56 percent, compared to the competition. The radial load-carrying capacity of a bushing is directly related to its correct radial stiffness. A bushing with the correct stiffness can carry more load and/or live longer than a will-fit bushing not designed with the ideal radial spring rate for the load-carrying capacity.

**AXIAL SPRING RATE** is a key bushing performance characteristic that describes how a bushing responds to the loading that can cause walkout. Bushings need to be resistant to walkout in order to maximize durability. Hendrickson bar pin end bushings were found to exhibit a higher axial spring rate by as much as 79 percent over the competitor's bushings.

### RADIAL SPRING RATE



### AXIAL SPRING RATE



- Bar pin end bushings tested for equalizing beam end hubs 4.365" I.D. x 4.252" width.
- Accelerated fatigue tests measure the functional durability of a bushing and are used to compare the performance of similar bushings from various manufacturers.
- Radial and axial spring rates are measured in pounds force per inch (lbf/in).
- The above data is based upon internal testing. Actual product performance may vary depending upon torque rods, suspension, vehicle types, configurations, operation, service and other factors.

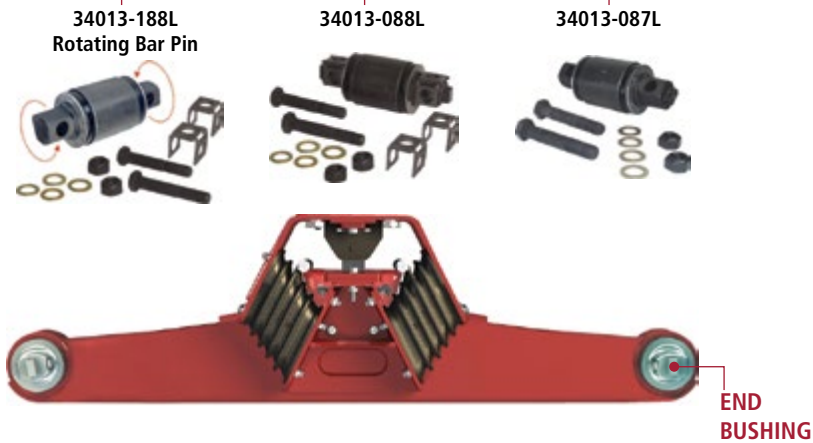
# EQUALIZING BEAM End Bushing Kits

**DON'T SETTLE FOR SUBSTITUTES** Always look for the Hendrickson logo as a sign of Hendrickson Genuine replacement parts. Insist on only Hendrickson Genuine beam end bushings for exact fit and optimum performance.

## HAULMAAX, HN Walking Beam



### BAR PIN STYLE END BUSHING KITS



## RT/RTE, RS, R, AR2 Walking Beam



### BAR PIN AND ADAPTER STYLE END BUSHING KITS



### ADAPTER STYLE END BUSHING KITS

Kit Number	Type	Kit Number	Type
34013-048L	340 Series	34013-073L	460 Series
34013-049L	440 Series	34013-050L	480-520 Series
34013-051L	440 Series	34013-052	650 Series
34013-056L	440 Series	34013-072	650 Series
34013-057L	440 Series	34013-110	850 Series

**NOTE:**

- Always inspect the entire suspension for loose or worn parts and replace components as necessary with customer consent.
- Illustration above shows popular bushings only. Verify the correct replacement parts are used for the suspension model and capacity. Refer to Hendrickson literature or contact Hendrickson.

Call your truck dealer or Hendrickson at **1.866.755.5968** (toll-free) or **1.630.910.2800** for additional information.



www.hendrickson-intl.com

**TRUCK COMMERCIAL VEHICLE SYSTEMS**

800 South Frontage Road  
Woodridge, IL 60517-4904 USA  
1.866.755.5968 (Toll-free U.S. and Canada)  
1.630.910.2800 (Outside U.S. and Canada)  
Fax 1.630.910.2899